

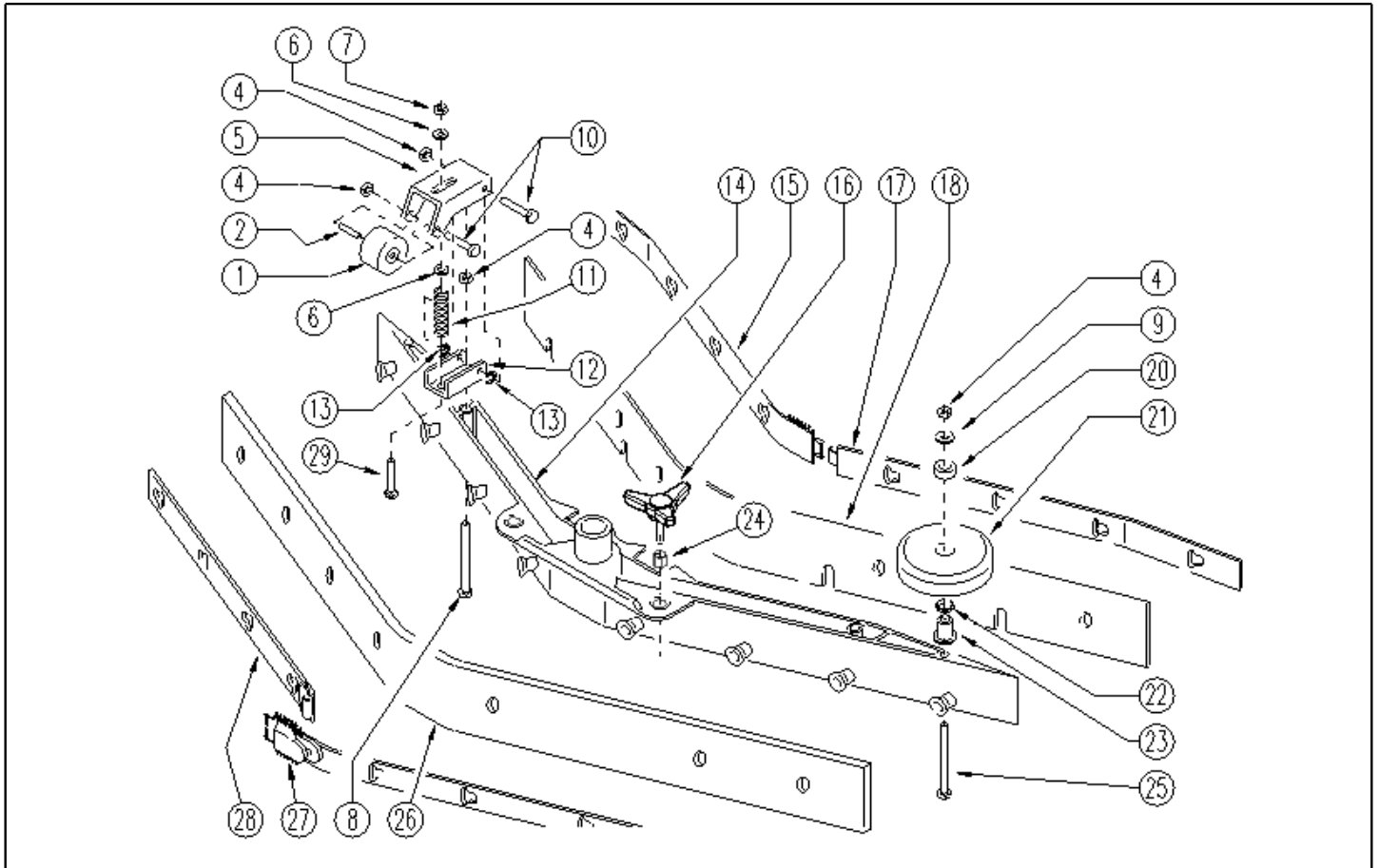


IPC

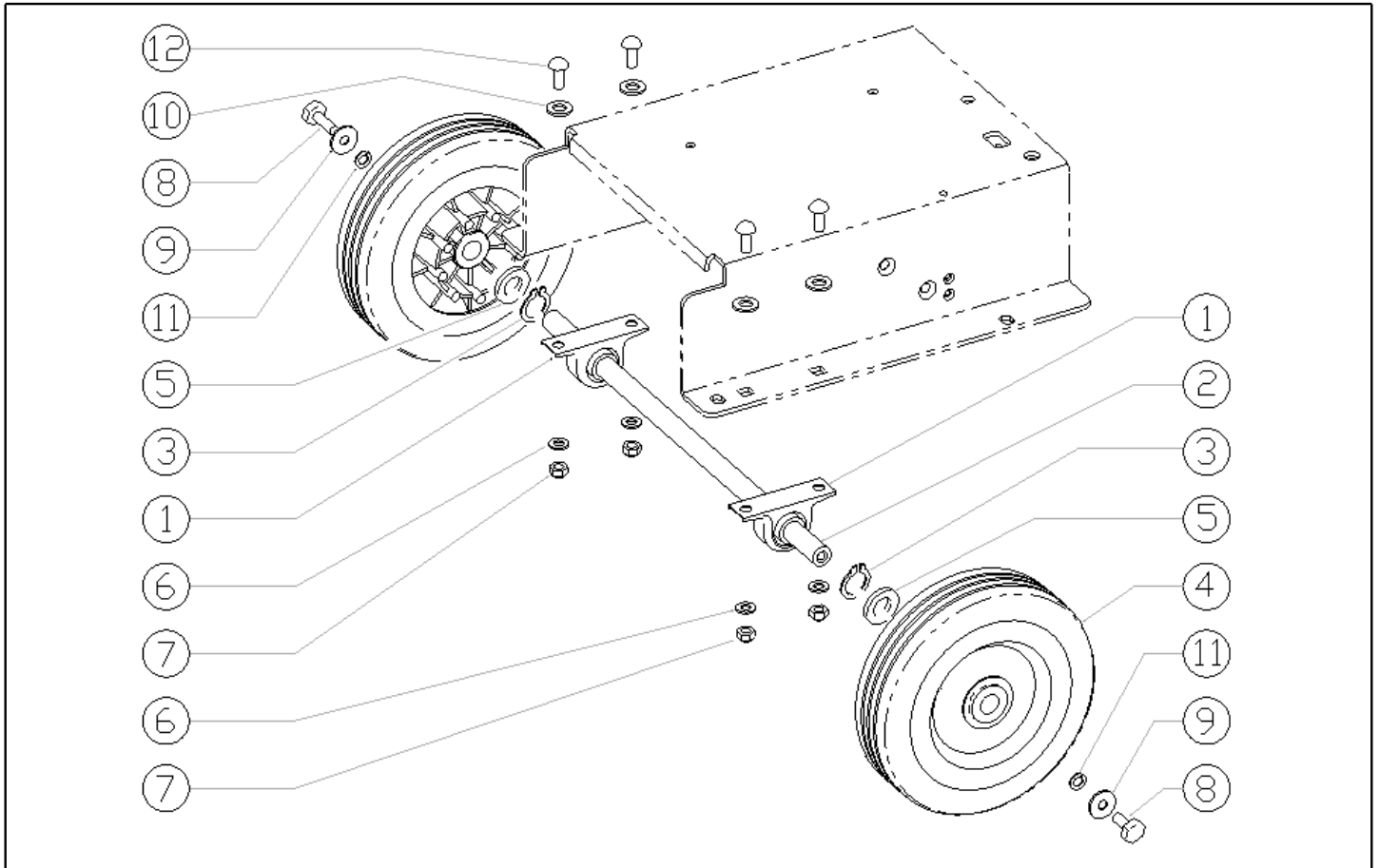
Spare parts list

Ref: LPTB02126

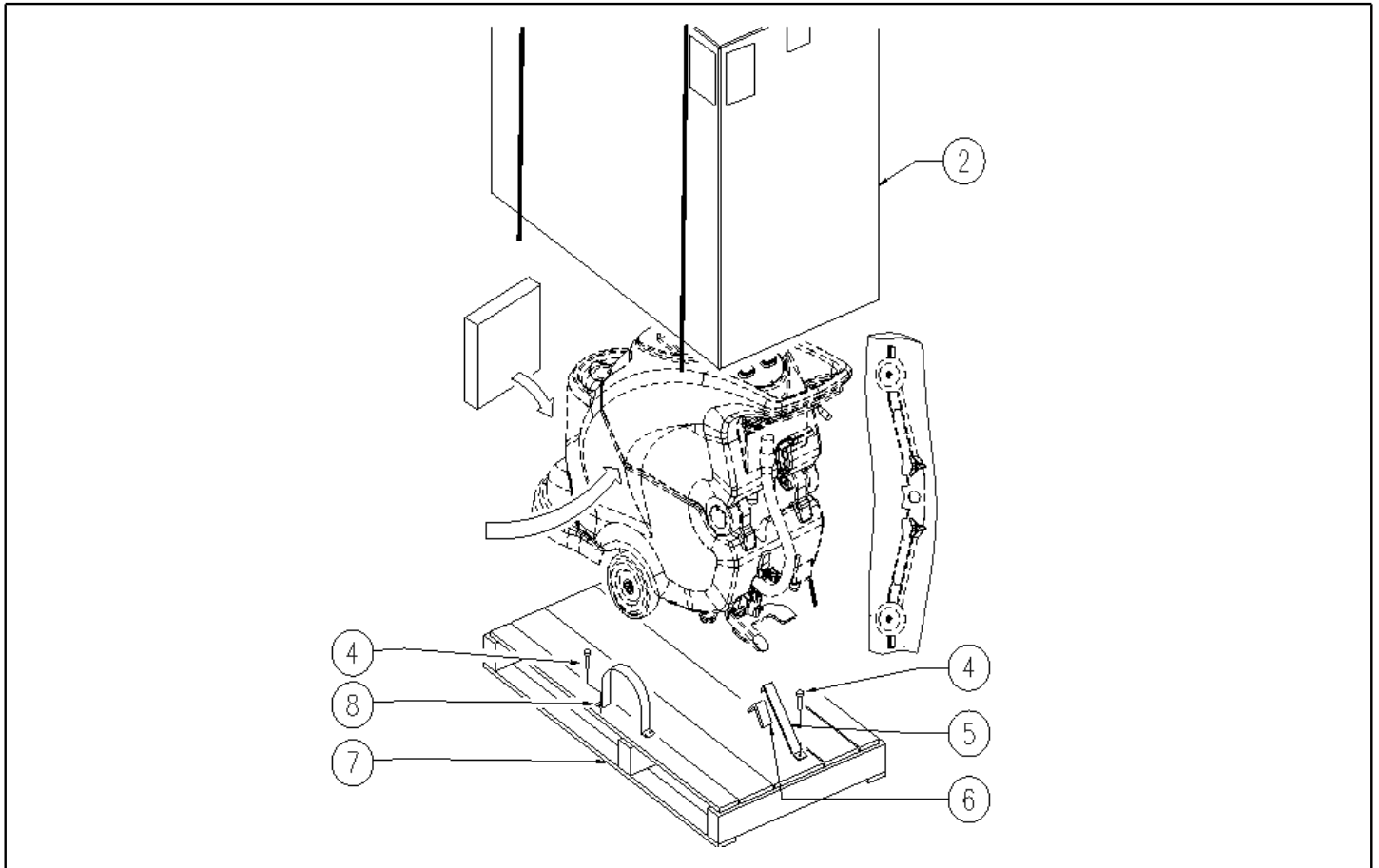
Model: FLOOR WASHER CT 40 B45 24 V



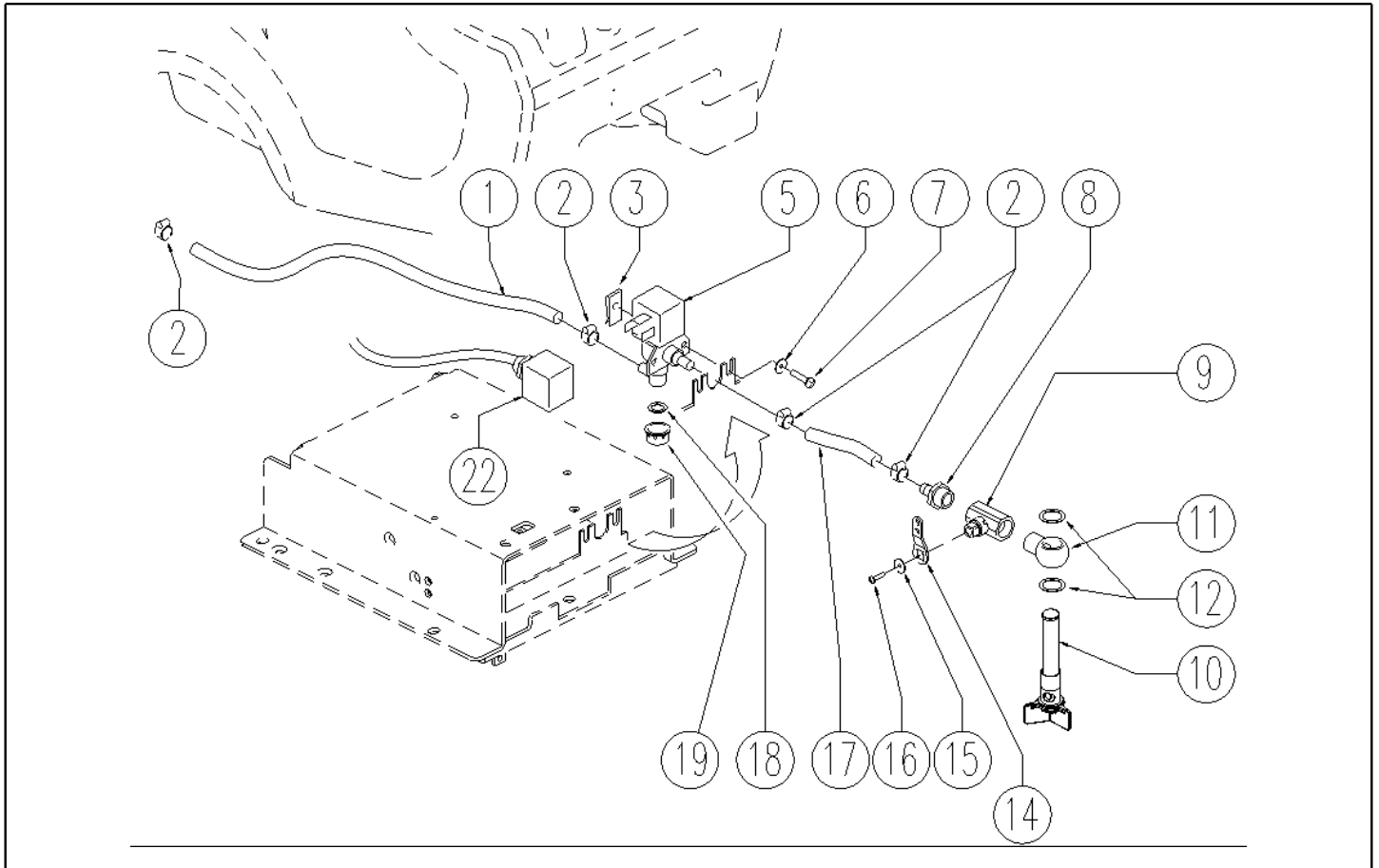
Ref. K	Part n.	Customer part n.	Description	Quantity	Validity		Price
					From	To	
0001	RTRT49413	SL08058	WHEEL D. 60-D.15 X36 NYL.	2,00			--
0002	LAFN04041	SL07526	SPACER D6/15	2,00			--
0004	VTDD01694	SL05074	NUT M6 INOX	8,00			--
0005	LAFN05559	SL39033	SUPPORT RUOTINO	2,00			--
0006	VTRS13947	75373	WASHER D. 8 INX UNI 6592	4,00			--
0007	VTDD01695	SL05039	NUT M 8 INX	2,00			--
0008	VTVT15142	SL04087	SCREW TE M 6x45 INOX	2,00			--
0009	VTRS00245	SL06022	WASHER D.6 UNI 6592 INOX	2,00			--
0010	VTVT15515	SL04261	SCREW TE M 6X 50 INOX A2	4,00			--
0011	MLML49422	SL13103	SPRING D.15X 45 X1	2,00			--
0012	LAFN51069		BRACKET SUPP.RUOTINO SQUEEGEE	2,00			--
0013	VTAE45707	1105407	SEEGER RADIALE TIPO H UNI7434 D6	4,00			--
0014	KTRI02048		BODY SQUEEGEE PRESSOFUSO "S"	1,00			--
0015	LAFN51045		BRACKET S SQUEEGEE BLOCK LEFT	1,00			--
0016	MPVR05265		KNOB 8X25	2,00			--
0017	LAFN51044		LAMINATION BLOCCA LAMA ANTER.DX S	1,00			--
0018	MPVR45194	SL03517	RUBBER BLADE LAV. 800 ANT.	1,00			--
0020	MPVR49229	SL17608	BUSHING SHK	2,00			--
0021	MPVR05290		ROLLER PARACOLPI	2,00			--
0022	GUGO00164	SL03199	GASKET	2,00			--
0023	LAFN04100	SL07596	SPACER PER RUOTINO PARACOLPI	2,00			--
0024	VTVR00022	1105904	INSERT FILETTATO ESAGONALE M8	2,00			--
0025	VTVT17342	SL04058	SCREW TE M 6X 60 UNI 5739 INX	2,00			--
0026	MPVR45195	SL03518	RUBBER BLADE LAV. 800 PST.POL.	1,00			--
0027	LAFN49284	SL39029	BLADE HOLDER POSTERIORE DX (S)	1,00			--
0028	LAFN49285	SL39030	BLADE HOLDER POSTERIORE SX (S)	1,00			--
0029	VTVT01304		SCREW M 8X 40 TTQST UNI 5731	2,00			--



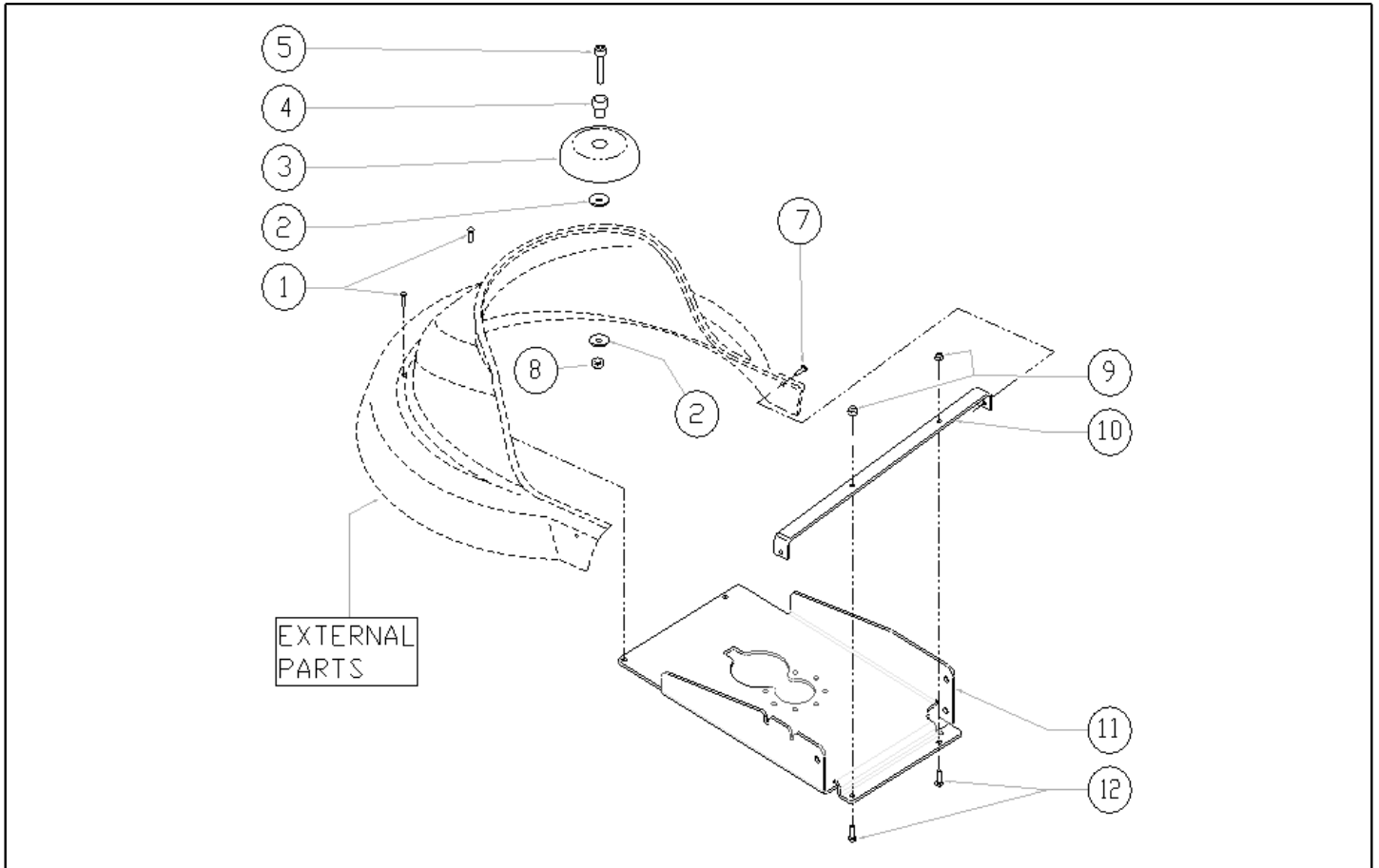
Ref. K	Part n.	Customer part n.	Description	Quantity	Validity		Price
					From	To	
0001	CUVR49833	SL12070	BALL BEARING SBPP 203	2,00			--
0002	LAFN35746	SL07140	WHEELS AXLE LAV. E/B 450	1,00		18/05/2009	--
0002	ALTR00088		AXLE -	1,00	19/05/2009		--
0003	VTAE00065		RING D17 UNI7435 INOX	2,00			--
0004	RTRT00366		WHEEL D200 X CLT 40	2,00			--
0005	VTRS00378		WASHER 17,5X32X1,5	4,00	03/09/2012		--
0006	VTRS13947	75373	WASHER D. 8 INX UNI 6592	4,00			--
0007	VTDD01695	SL05039	NUT M 8 INX	4,00			--
0008	VTVT15916	SL04203	SCREW TE M 8X 16 UNI 5739 A2	2,00			--
0009	VTRS13946	SL06025	WASHER D. 8 X24 INX UNI 6593	2,00			--
0010	VTRS15978		WASHER D.12X24 UNI 6592 INX	4,00			--
0011	VTRS15146	05519	WASHER D. 8 INX GRW UNI 1751	2,00			--
0012	VTVT00842	SL04355	SCREW	4,00			--



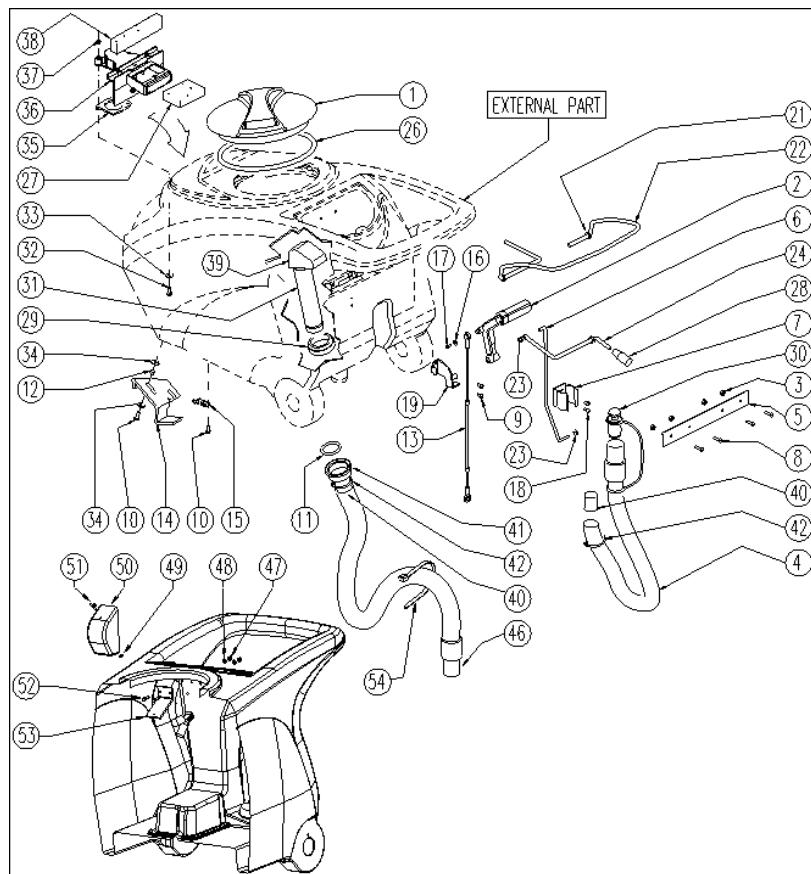
Ref. K	Part n.	Customer part n.	Description	Quantity	Validity		Price
					From	To	
0002	MICT00147	SL26138	CARTON IMBALLO RULLI	1,00			--
0004	VTVT00043	1105360	SCREW AUTOF.LEGNO 4,5X25 TS BR	9,00			--
0005	MIVR00137		CLAMP RUOTA POSTERIORE X IMBAL.	1,00			--
0006	GUGO00009	1320066	MOUSSE	0,05			--
0007	MIBA00077	SL26139	PALLET RULLI	1,00			--
0008	MIVR00135		CLAMP RUOTA POSTERIORE X IMBAL.	2,00			--



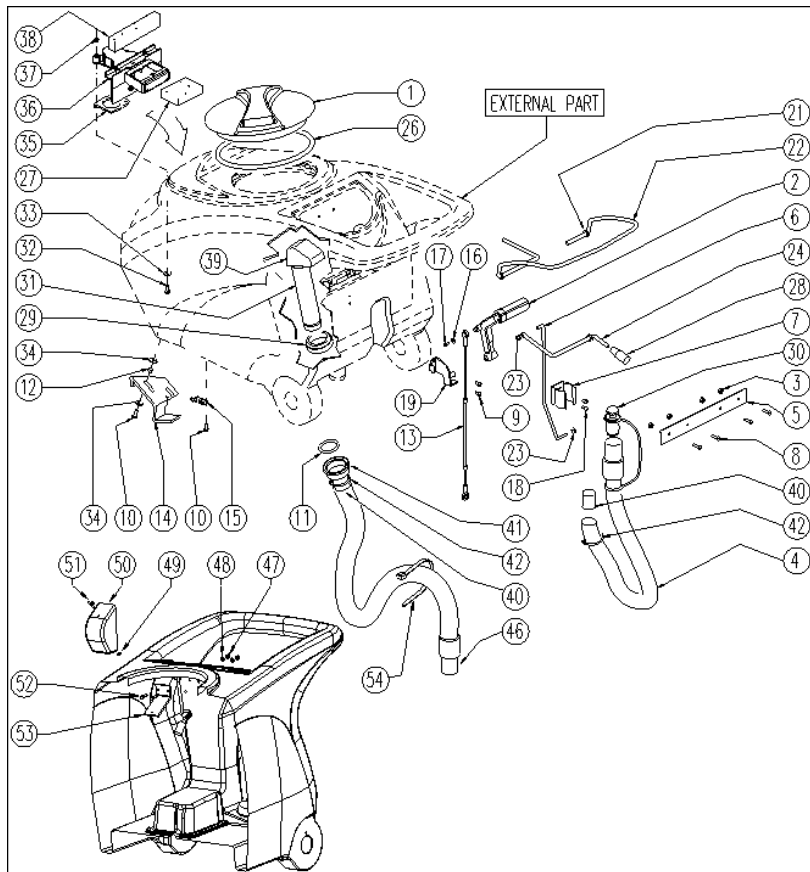
Ref. K	Part n.	Customer part n.	Description	Quantity	Validity		Price
					From	To	
0001	TBFX00308		TUBE L=580MM	1,00			--
0002	FSVR00091	SL14036	CLAMP 14-24	4,00			--
0003	MLML00002	1105206	SPRING PRESTOLA DOPPIA 8P	2,00			--
0005	MEEV00018	SL18414	SOLENOID VALVE	1,00			--
0006	VTRS00516	SL06034	WASHER D. 5 INX	2,00			--
0007	VTVT48694	SL04371	SCREW TCB TC 5 X12 UNI 9707 TZ	2,00			--
0008	RCVR00536	SL18399	CONNECTOR PORTAG.	1,00			--
0009	RCGR00065	SL18407	TAP F/F 1/2"	1,00			--
0010	MPVR05221		FILTER COMPLETO	1,00		14/02/2013	--
0010	MPVR06303		FILTER CT40-70-90	1,00	15/02/2013		--
0011	RCDS49622	SL18256	CONNECTOR OCC 1/2 - 1/2M	1,00			--
0012	VTRS00567		WASHER 1/2	2,00			--
0014	LAFN05902	SL39372	LEVER RUBINETTO	1,00			--
0015	VTRS00251	SL06031	WASHER 4-16 INOX A2	1,00			--
0016	VTVT00633	SL04016	SCREW M 3X 20 TCB-TC BK.U.7687	1,00			--
0017	TBFX49101		TUBE FLEX D.34 CPL.SHK	1,00			--
0018	GUGO00268	SL03630	GASKET D.21 SP.3 GOMMA	1,00			--
0019	RCVR00353	SL14382	CAP 1/2"G X ELETTRIV. ACL	1,00			--
0022	MECB00916		WIRING ELETTRIVALVOLA	1,00			--



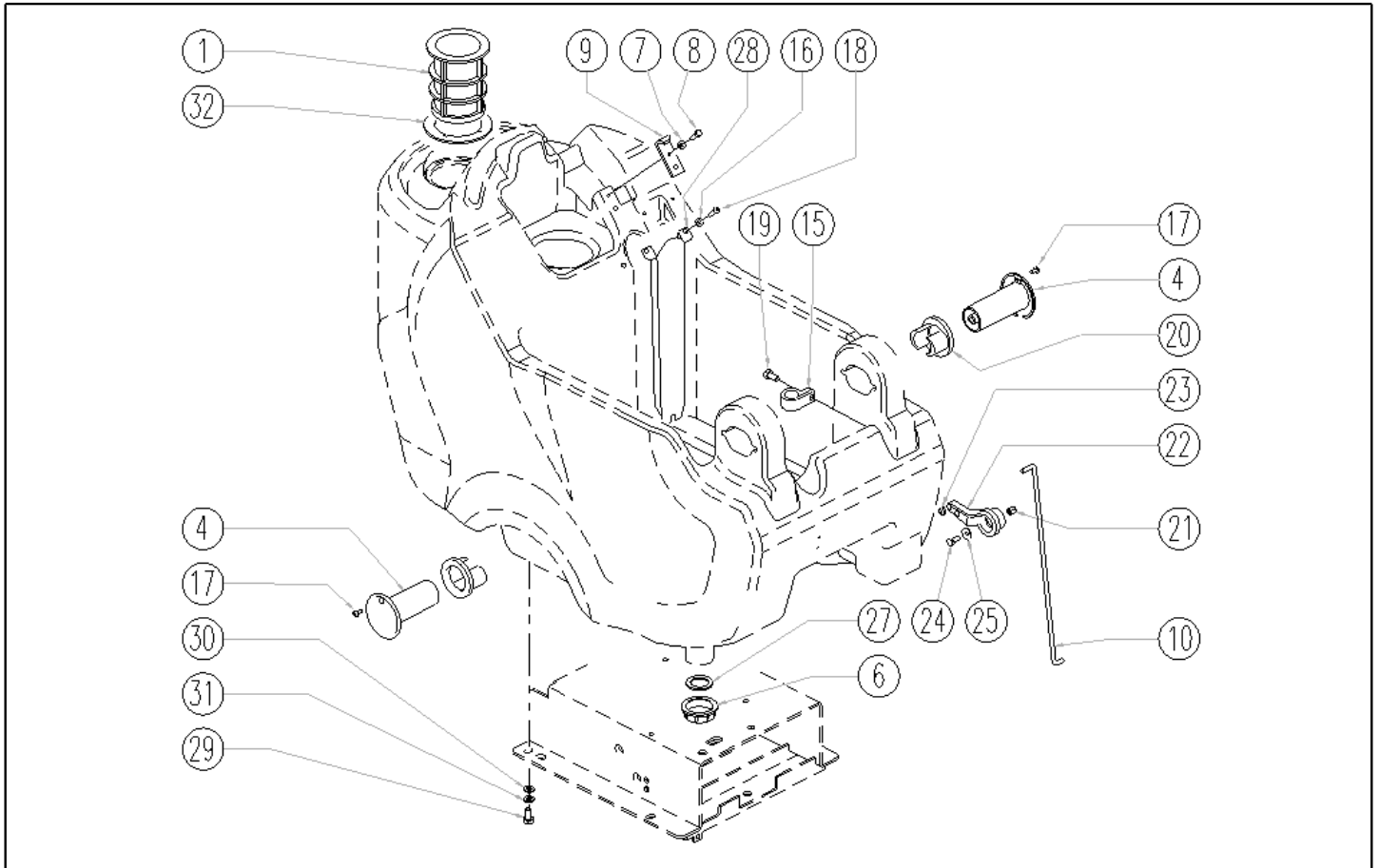
Ref. K	Part n.	Customer part n.	Description	Quantity	Validity		Price
					From	To	
0001	VTVT00659	SL04065	SCREW TC+ M. 4-15	2,00		14/02/2010	--
0001	VTVT01366		SCREW M4X16	2,00	15/02/2010	07/04/2016	--
0001	VTVT01004		SCREW TC+ M4 X 10 TRILOBATA	2,00	08/04/2016		--
0002	VTRS13946	SL06025	WASHER D. 8 X24 INX UNI 6593	2,00			--
0003	MPVR05290		ROLLER PARACOLPI	1,00			--
0004	LAFN03915	SL07390	BUSHING NUOVO RUOTINO STRONG	1,00			--
0005	VTVT17349		SCREW TCEI M 8X30	1,00		16/06/2009	--
0005	VTVT00822	SL04329	SCREW TCEI M 8-30	1,00	17/06/2009		--
0007	VTVT01366		SCREW M4X16	2,00			--
0008	VTDD01695	SL05039	NUT M 8 INX	1,00			--
0009	VTDD15518	75375	NUT M 6 INX	2,00			--
0010	LAFN05899	SL39370	SUPPORT BRACKET CARTER 1 EXTREME	1,00			--
0011	LAFN07373		PLATE RIDUTTORE	1,00			--
0012	VTVT15143	SL04135	SCREW TE 6X16 UNI5739	2,00			--



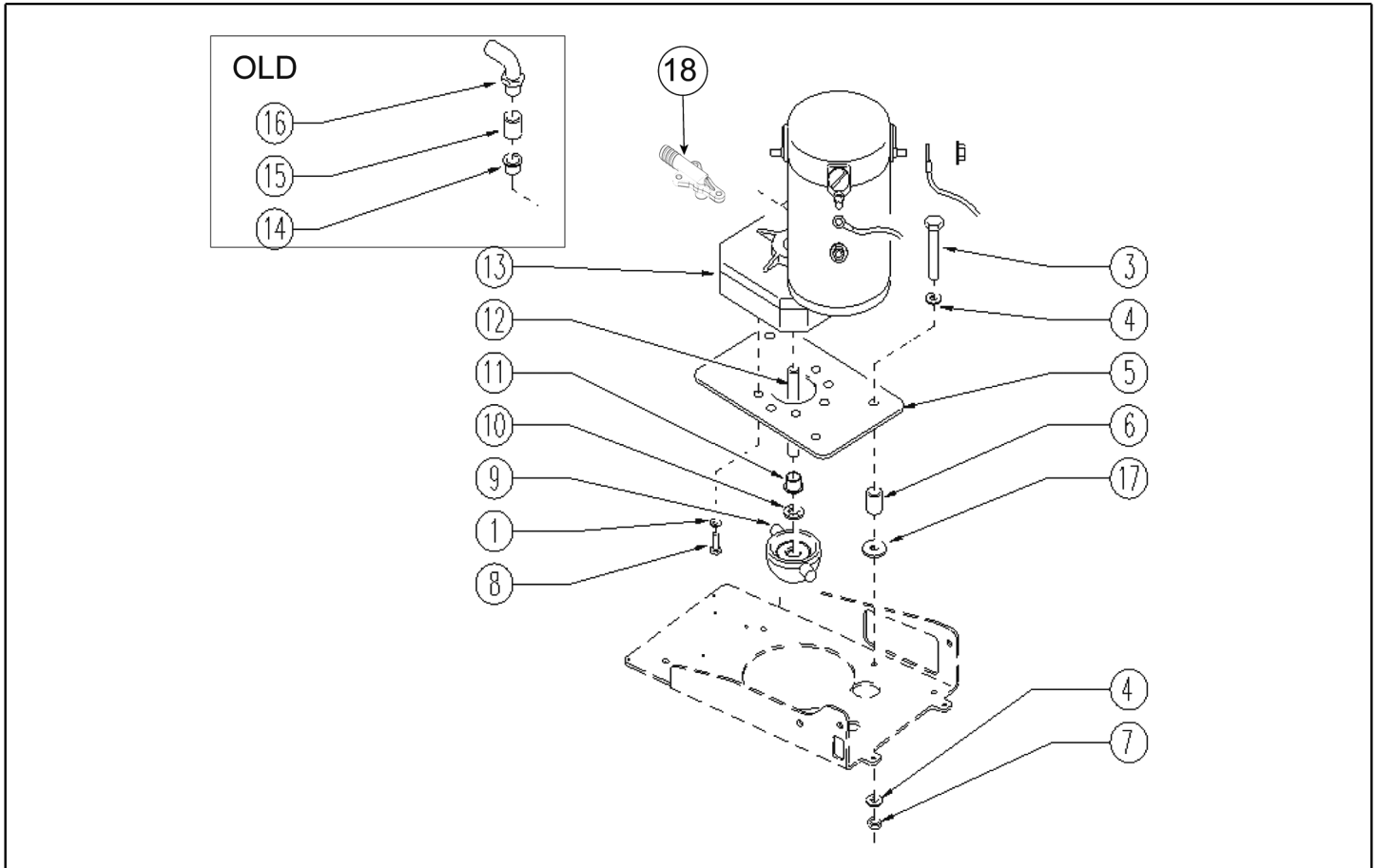
Ref. K	Part n.	Customer part n.	Description	Quantity	Validity		Price
					From	To	
0001	MPVR04051	SL17611	TANK CAP	1,00			--
0002	MPVR49942	SL17614	LEVER SQUEEGEE LIFTING PP	1,00			--
0003	VTDD01694	SL05074	NUT M6 INOX	4,00	20/04/2009		--
0004	TBBP00405		TUBE SCARICO	1,00		21/06/2010	--
0004	TBBP00456		TUBE RECOVERY DRAIN	1,00	22/06/2010	01/02/2011	--
0004	TBFX00348		TUBE CT40-70-90 HOSE DRAIN	1,00	02/02/2011	02/04/2013	--
0004	TBFX00358		TUBE PU CT40/70/90	1,00	03/04/2013		--
0005	LAFN05865	SL39336	PLATE COPRILEVA CONSENSO	1,00			--
0006	LAFN05863	SL39334	ROD RUBINETTO	1,00			--
0007	MPVR46988	SL13118	CLIP LAV. SHK	1,00			--
0008	VTVT07725	SL04152	SCREW TE 5X16 UNI5739 INX	4,00			--
0009	VTVT15906	SL04180	SCREW TE 6X 12 A2 UNI 5739	2,00			--
0010	VTVT15143	SL04135	SCREW TE 6X16 UNI5739	3,00			--
0011	GUGO00292		GASKET OR 6162	1,00		20/05/2009	--
0011	GUGO00216	SL03416	GASKET ACQUA SPORCA	1,00	21/05/2009		--
0012	LAFN03626	SL07047	SPACER	2,00			--
0013	CMCV00312	SL14384	CABLE SOLLEVAMENTO SQUEEGEE	1,00		05/07/2007	--
0013	CMCV00428		CABLE SQUEEGEE	1,00	06/07/2007		--
0014	LAFN06490		HANDLE	1,00			--
0015	MLML00203	SL13098	SPRING	1,00			--
0016	VTRS00251	SL06031	WASHER 4-16 INOX A2	1,00			--
0017	VTVT00800	SL04303	SCREW TC 4X12 ZN	1,00			--
0018	VTVT21096	SL04032	SCREW TE M 4X 10 INX	2,00			--
0019	LAFN05870	SL39341	BRACKET LEVA SOLLEVAM. SQUEEGEE	1,00			--
0021	VTRS13947	75373	WASHER D. 8 INX UNI 6592	2,00			--
0022	LAFN05861	SL39332	LEVER CONSENSO SPAZZOLE	1,00		15/06/2014	--
0022	LAFN09339		LEVER -	1,00	16/06/2014		--
0023	VTDD01694	SL05074	NUT M6 INOX	2,00			--
0024	LAFN05908	SL39378	ROD COMANDO RUBINETTO	1,00			--
0026	GUGO00263	SL03612	GASKET CIRCOLARE TAPPO	1,00			--
0027	FTDP00133	SL03647	FILTER VACUUM MOTOR	1,00			--
0028	MPVR04146	SL20025	KNOB IN PVC MOD. 1001 FORO D.6	1,00			--
0029	MPVR04716		RING NUT 1"1/2	1,00			--
0030	MPVR05064		CAP COMPLETO	1,00		21/06/2010	--
0031	MPVR51086		TUBE INT.SERB.RECUP.	1,00			--
0032	VTVT00814	SL04320	SCREW TE M.4-25	2,00			--
0033	VTRS00515	SL06032	WASHER D. 4 INX	2,00			--
0034	VTRS00274	SL06064	WASHER NYLON 66 D.8,4-17-2 UNI	4,00			--
0035	GUGO00417		GASKET SCATOLA ASPIRAZIONE	1,00			--
0036	FTDP00185		BOX ASPIRAZIONE	1,00		28/01/2009	--
0036	MPVR05482		BOX -	1,00	29/01/2009		--
0037	VTDD15925	SL05078	NUT M 4 INX	2,00			--
0038	GUGO00418		GASKET CONDOTTO ASPIRAZIONE	1,00			--
0039	PMVR01129		TUBE C/DEFLETTORE	1,00	08/05/2006		--



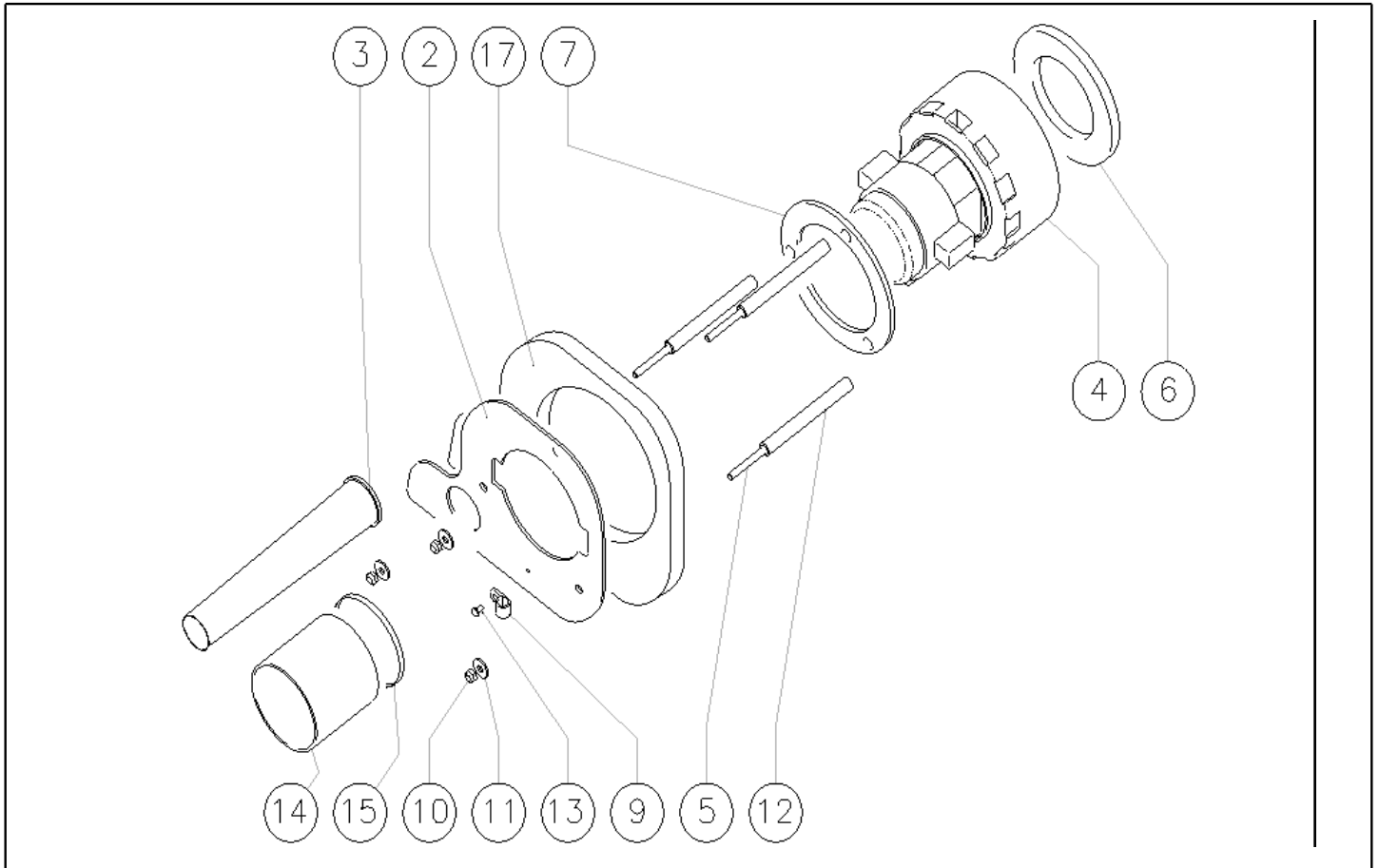
Ref. K	Part n.	Customer part n.	Description	Quantity	Validity		Price
					From	To	
0040	GUGO00245	SL03519	GASKET	2,00			--
0041	RCVR00504	SL18349	CONNECTOR DRITTO FEMM.	1,00		03/02/2009	--
0042	FSVR43136	SL14063	CLAMP D. 35-40 DF.	1,00		03/02/2009	--
0046	TBBP00407		TUBE L=990 d.i.350	1,00		03/02/2009	--
0046	TBBP00454		TUBE TERGI D.40	1,00	04/02/2009	19/10/2010	--
0046	TBBP00478		TUBE CT40 L=1040	1,00	20/10/2010	15/01/2012	--
0046	TBFX00352		TUBE PU CT40	1,00	16/01/2012		--
0047	VTDD01693	SL05087	NUT M 5 INX	2,00	30/04/2009		--
0048	VTRS00516	SL06034	WASHER D. 5 INX	4,00	30/04/2008		--
0049	VTVR01038		WASHER -	1,00	30/04/2009		--
0050	MPVR05596		PROTECTION -	1,00	30/04/2009		--
0051	VTVT01150		SCREW 4x10	1,00	30/04/2009		--
0052	VTVT07725	SL04152	SCREW TE 5X16 UNI5739 INX	2,00	30/04/2009		--
0053	LAFN07631		BRACKET -	1,00	30/04/2009		--
0054	FSVR00248		CLAMP -	1,00	20/10/2010		--



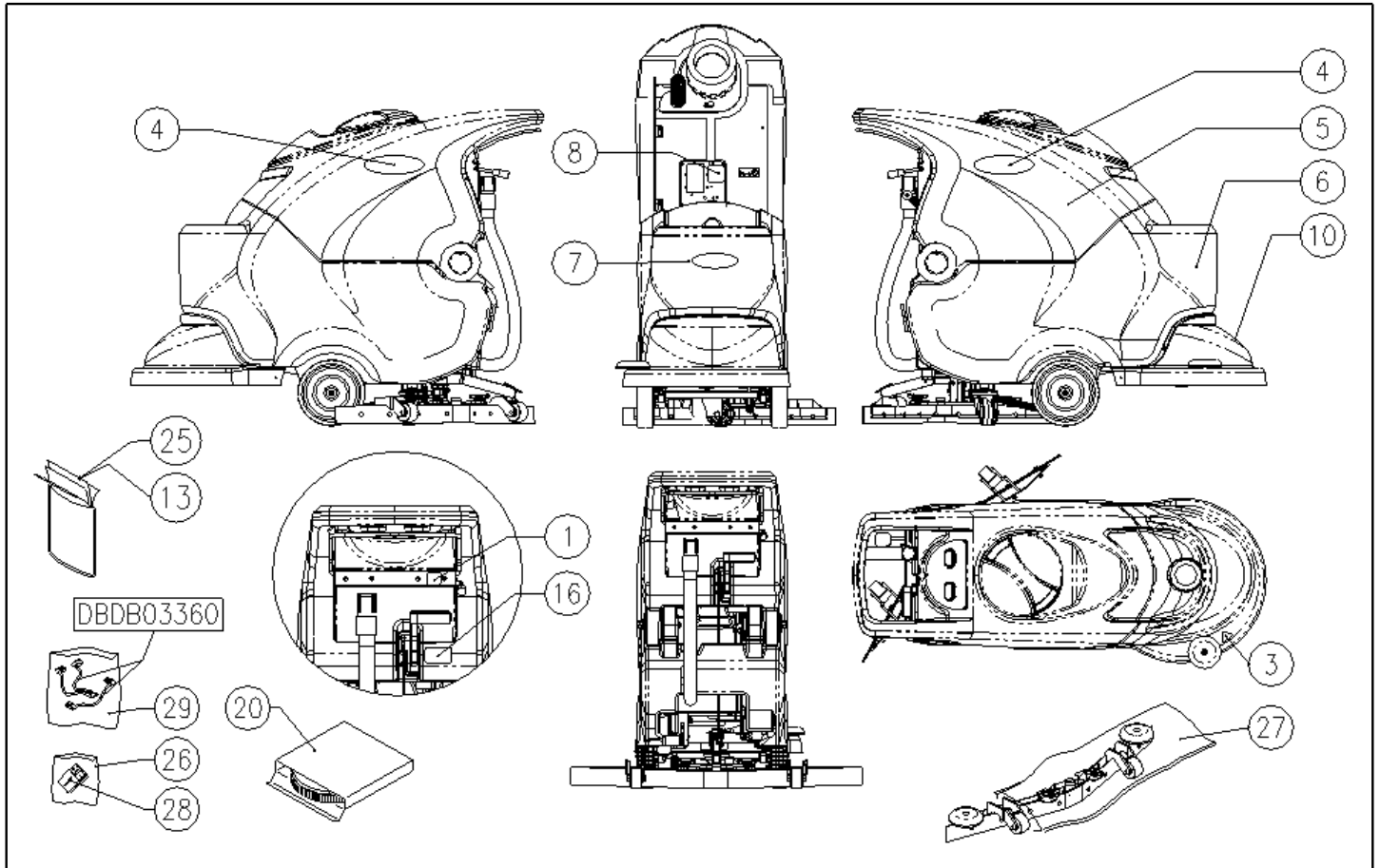
Ref. K	Part n.	Customer part n.	Description	Quantity	Validity		Price
					From	To	
0001	FTAC48857	SL03526	FILTER SOLUTION TANK INLET	1,00			--
0004	MPVR48695	SL17493-1	PIN SHK.BK	2,00		10/09/2014	--
0004	MPVR06407		PIN -	2,00	11/09/2014		--
0006	KTRI03463		DISCHARGE CAP SCARICO SERBATOIO SOLUZ.	1,00		30/11/2011	--
0006	MPVR08003		CAP	1,00	01/12/2011	30/11/2016	--
0006	MPVR10774		CAP 1/2"	1,00	01/12/2016		--
0007	VTRS15144	11051232	WASHER D. 6 INX GRW UNI 1751	1,00			--
0008	VTVT01303		SCREW TE M6-10 INOX	1,00			--
0009	LAFN06489		PLATE	1,00			--
0010	LAFN05862	SL39333	ROD RUBINETTO	1,00			--
0015	FSVR00099	SL14150	CLAMP FERMATUBO	2,00			--
0016	VTRS00515	SL06032	WASHER D. 4 INX	2,00			--
0017	VTVT48694	SL04371	SCREW TCB TC 5 X12 UNI 9707 TZ	2,00		10/09/2014	--
0018	VTVT37012	SL04289	SCREW M 4X 10 TCB-TC INX	2,00			--
0019	VTVT15961	SL04108	SCREW M 5X 16 TCB TC UNI 7687	1,00			--
0020	PMVR02028		RUBBER GRUPPO MONTAGGIO	2,00			--
0021	VTVR48693	1105901	INSERT FILETTATO M6	1,00			--
0022	MPVR49471	SL17491-1	LEVER SHK	1,00			--
0023	VTDD01694	SL05074	NUT M6 INOX	1,00			--
0024	VTVT15143	SL04135	SCREW TE 6X16 UNI5739	1,00			--
0025	VTRS13945	SL06039	WASHER D. 6X18 INX UNI 6593	1,00			--
0027	KTRI03463		DISCHARGE CAP SCARICO SERBATOIO SOLUZ.	1,00		30/11/2011	--
0027	MPVR08003		CAP	1,00	01/12/2011		--
0028	MPVR51085		FLAP POSTER.TERGI 950 MAGG.	1,00			--
0029	VTVT15916	SL04203	SCREW TE M 8X 16 UNI 5739 A2	4,00			--
0030	VTRS13947	75373	WASHER D. 8 INX UNI 6592	4,00			--
0031	VTRS00269	SL06057	WASHER D. 8 DIN 6798-A INX A2	4,00			--
0032	GUGO00267	SL03627	GASKET FILTRO	1,00			--



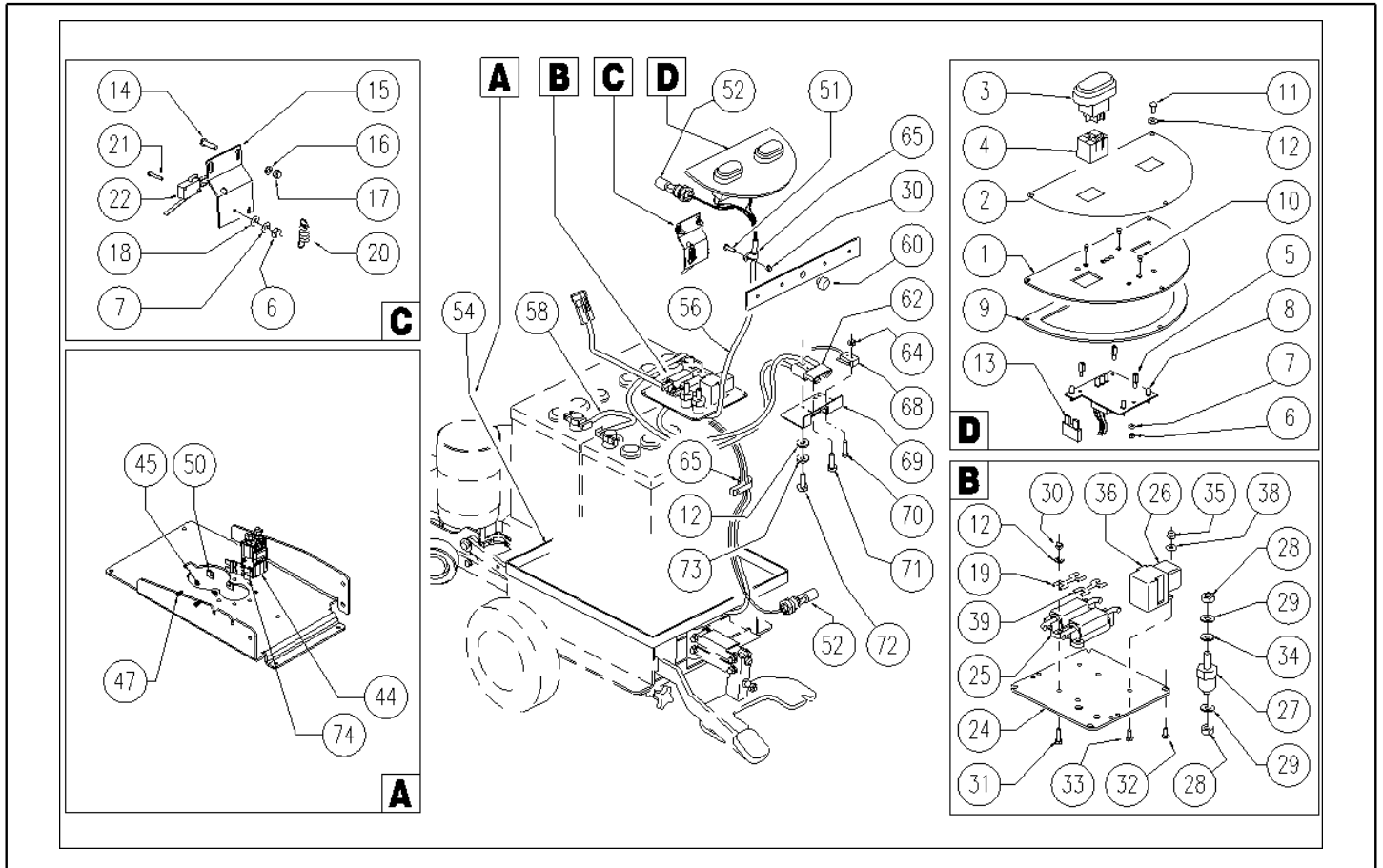
Ref. K	Part n.	Customer part n.	Description	Quantity	Validity		Price
					From	To	
0001	VTRS15144	11051232	WASHER D. 6 INX GRW UNI 1751	8,00			--
0003	VTVT13937	11051230	SCREW TE M 8X 30 INX UNI 5739	4,00		01/03/2008	--
0004	VTRS13947	75373	WASHER D. 8 INX UNI 6592	4,00		01/03/2008	--
0005	LAFN05920	SL39392	FLANGE RIDUTTORE	1,00		01/03/2008	--
0006	RCDS34717	SL07063	BUSHING D. 9X12X 8.3	4,00		01/03/2008	--
0007	VTDD01695	SL05039	NUT M 8 INX	4,00		01/03/2008	--
0008	VTVT15906	SL04180	SCREW TE 6X 12 A2 UNI 5739	8,00			--
0009	MFVR00134	SL01043	DRIVE DISK SPAZZOLE	1,00			--
0010	MPVR02997	SL14359	CLIP ANELLO X PERNO D10	1,00		18/05/2009	--
0010	VTVR00416		HANDWHEEL M 6MAX110 D.35	1,00	19/05/2009		--
0011	CUVR43254	SL12039	BUSHING CB 85 1010 18T	1,00		24/07/2013	--
0012	LAFN04202	SL07689	TUBE SOLUZIONE INOX D10	1,00		24/07/2013	--
0013	MOCC00298		MOTOR.GEARBOX MRP6	1,00		11/02/2008	--
0013	MOCC00327		MOTOR GEARBOX 24V 550W	1,00	12/02/2008	24/07/2013	--
0013	MOCC00344		BRUSH -	4,00			--
0013	MOCC00405		MOTOR	1,00	25/07/2013		--
0014	CUVR43254	SL12039	BUSHING CB 85 1010 18T	1,00		24/07/2013	--
0015	LAFN51028	SL07693	BUSHING	1,00		24/07/2013	--
0016	RCVR45752	SL18232	HOSE FITTING "L" 3/8M - D.10 PLS.	1,00		24/07/2013	--
0017	VTRS00241	SL06017	WASHER D. 8-24	4,00		01/03/2008	--
0018	RCDS00046		CONNECTOR -	1,00	25/07/2013		--



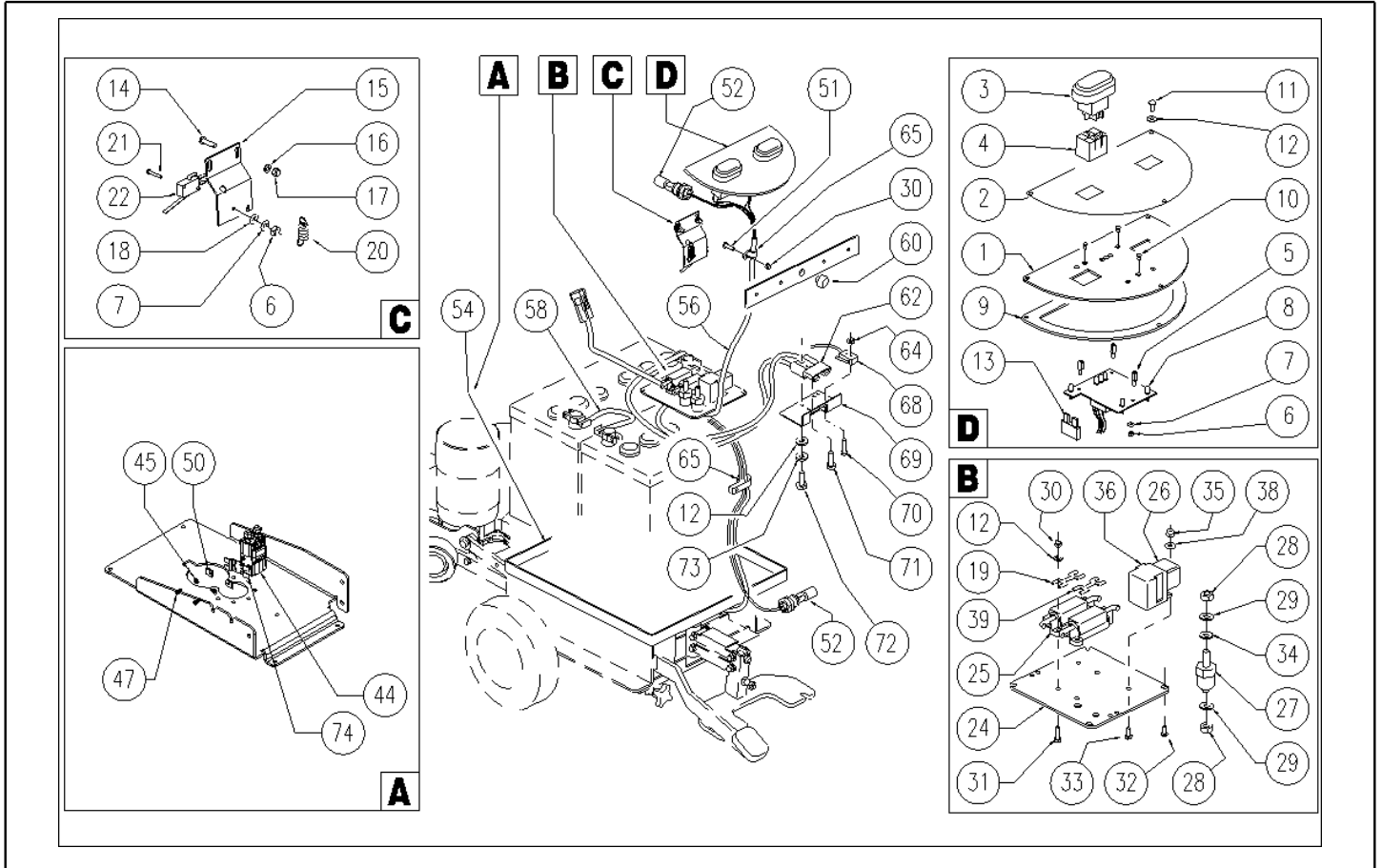
Ref. K	Part n.	Customer part n.	Description	Quantity	Validity		Price
					From	To	
0002	LAFN06363		FLANGE ASPIRATORE	1,00			--
0003	TBFX00244	SL19198	TUBE D 34 L200MM	1,00		14/06/2007	--
0003	MPVR05259		TUBE SCARICO	1,00	15/06/2007		--
0004	MOCC00253	SL02455	MOTOR ASPIR.BIST.24V	1,00		04/11/2008	--
0004	MOCC00349		MOTOR VACUUM 2 STAGES 24V	1,00	05/11/2008		--
0004	MEVR05200		CARBON MOTORE ASP.AMET.116599-13	2,00			--
0005	VTVR00198	SL04160	ROD	3,00			--
0006	GUGO00272	SL03648	GASKET VACUUM MOTOR CT	1,00			--
0007	MPVR04724		FLANGE IN NYLON	1,00			--
0009	FSVR00099	SL14150	CLAMP FERMATUBO	1,00			--
0010	VTDD01694	SL05074	NUT M6 INOX	3,00			--
0011	VTRS13945	SL06039	WASHER D. 6X18 INX UNI 6593	3,00			--
0012	LAFN51078		SPACER SH	3,00			--
0013	VTVT00813	SL04319	SCREW M 4X 8 TCB-TC UNI 8112	1,00			--
0014	TBFX00268	SL19408	SUCTION HOSE D80 L=80MM	1,00		30/04/2007	--
0014	TBFX00312		TUBE ASPIRAZIONE	1,00	01/05/2007		--
0015	FSVR00500		CLAMP 80-100 INOX	1,00		30/04/2007	--
0015	FSVR00118		CLAMP D.94	1,00	01/05/2007		--
0017	MPVR05103		SOUND-PROOFING ASPIRATORE	1,00			--



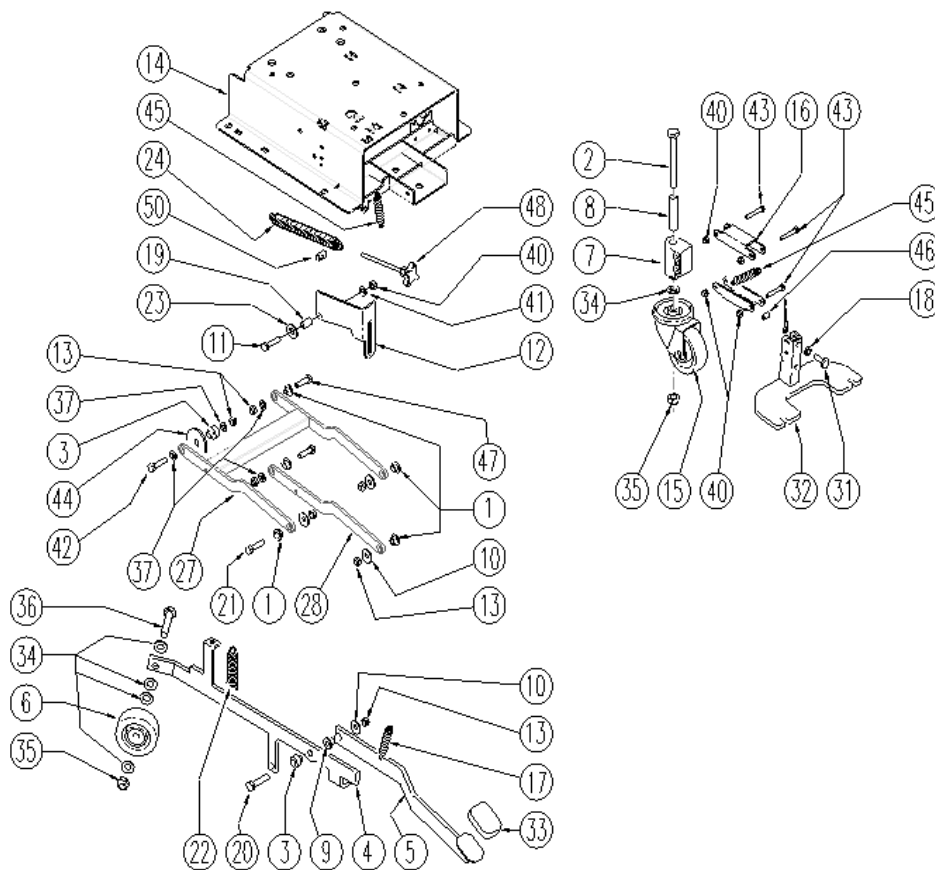
Ref. K	Part n.	Customer part n.	Description	Quantity	Validity		Price
					From	To	
0001	ETET01447		LABEL	1,00			--
0003	ETET01014	SL25472	ADHESIVE ATTENZ.ABRAS.ARTI	1,00			--
0004	ETET01364	SL55101	LABEL LATERALE	2,00			--
0005	MPVR05084		TANK SUPERIORE	1,00			--
0006	MPVR05085		TANK SOLUTION CT40 RAL7040	1,00			--
0007	ETET02000		LABEL LOGO IPC	1,00			--
0008	ETET00763	SL25187	LABEL SIMBOLO FUSIBILI	1,00			--
0010	MPVR04721		COVER	1,00			--
0013	PLDC01423	SL55105	MANUAL	1,00			--
0016	ETET01407		PLATE APERTURA SERBATOIO	1,00			--
0020	SPPV29553	AL02215	BRUSH NYL 0.8 D.460 E450	1,00			--
0025	PLDC01450		MANUAL RIC. CLT40	1,00			--
0026	MIVR00072	SL26029	ENVELOPE PLASTICA TRASP.	1,00			--
0027	MIVR00048	MP14302	TUBE UNIBOL	1,00			--
0028	MEVR01079	SL23010K	PLUG M CB50 A 600V RD.	1,00			--
0029	MIVR00064	SL26017	ENVELOPE PORTA CABLAGGI	1,00			--



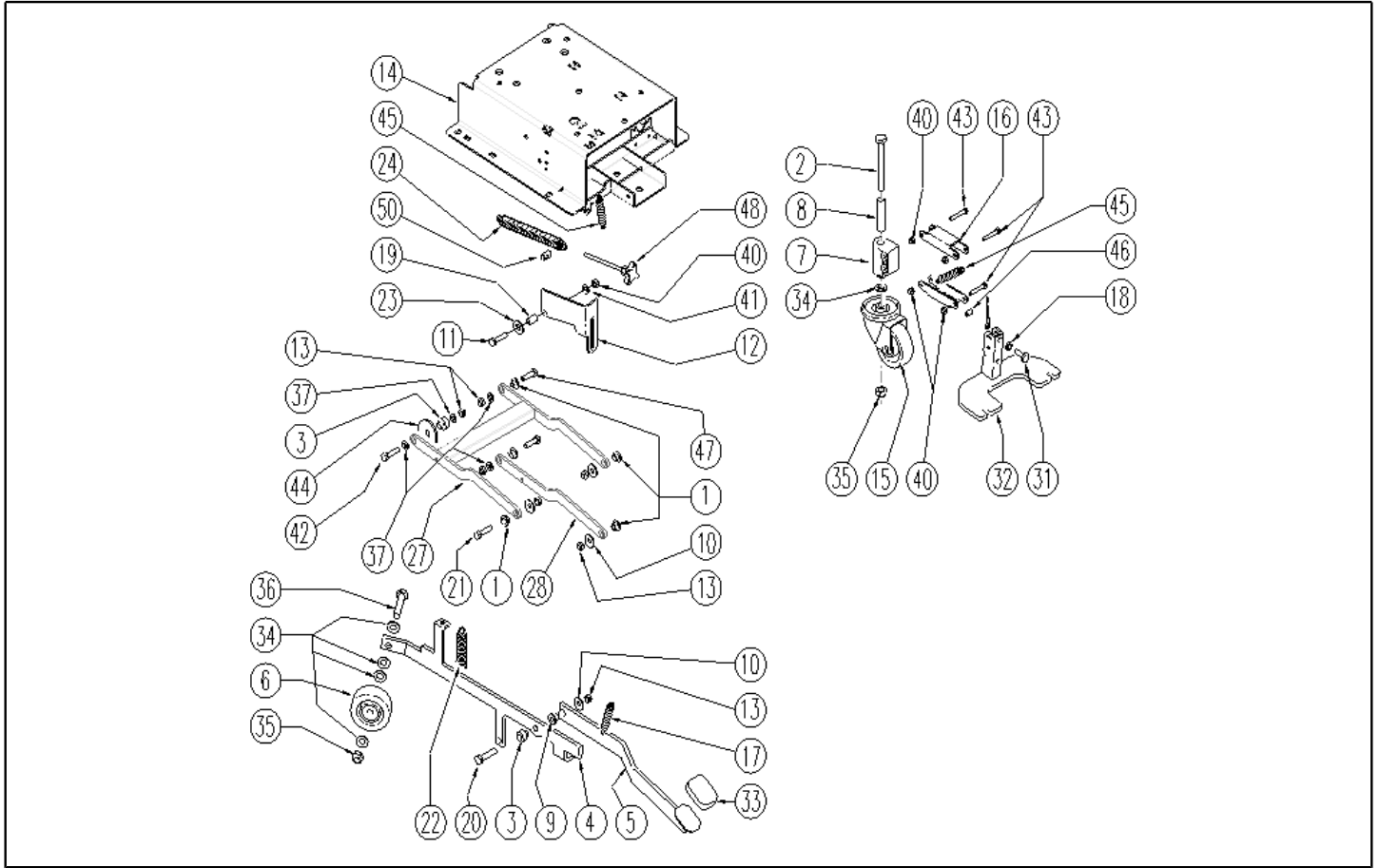
Ref. K	Part n.	Customer part n.	Description	Quantity	Validity		Price
					From	To	
0001	LAFN06488		SHEET METAL PA. PANNELLO COMANDI	1,00			--
0002	ETET01372	SL55107	LABEL ANNELLO COMANDI	1,00			--
0003	MECI00346	SL53096	SWITCH TTR/L BIP. 24V	2,00			--
0004	MECI00384		BASE 401	2,00			--
0005	LAFN04047	SL07534	SPACER X SCHEDE M3 15x8x8	3,00			--
0006	VTDD21115	SL05019	NUT M 3 INOX	7,00			--
0007	VTRS00268	SL06056	WASHER D.3	7,00			--
0008	MECE00398	SL53097	BOARD PANEL CT40-CT70 B	1,00			--
0009	GUGO38417		GASKET PANN.COM.EXTREME	1,00			--
0010	VTVT00865	SL04384	SCREW TSP-TC M 3X 6 UNI7688 INX	3,00			--
0011	VTVT37012	SL04289	SCREW M 4X 10 TCB-TC INX	3,00			--
0012	VTRS00515	SL06032	WASHER D. 4 INX	10,00			--
0013	MEVR01428	SL53040	FUSE A LAMA 2 A. UNIVAL	1,00			--
0014	VTVT07725	SL04152	SCREW TE 5X16 UNI5739 INX	2,00			--
0015	LAFN05904	SL39374	PLATE MICRO LEVA	1,00			--
0016	VTRS00516	SL06034	WASHER D. 5 INX	2,00			--
0017	VTDD01693	SL05087	NUT M 5 INX	4,00			--
0018	VTRS21116	SL06009	WASHER D. 3 INX	2,00			--
0019	MEVR02887		FUSE 40A NST.	1,00			--
0020	MLML34726	SL13013	SPRING TR E350 N	1,00		09/07/2014	--
0020	MLML00203	SL13098	SPRING	1,00	10/07/2014		--
0021	VTVT01316		SCREW TC+ M3-16	2,00			--
0022	MECI36393	SL23109	MICROSWITCH TRZ. DRW	1,00			--
0024	LAFN05903	SL39373	PLATE X CABLAGGIO CLT 40 BATT	1,00			--
0025	MEVR01332	SL23697	FUSE-HOLDER	2,00		23/07/2009	--
0025	MEVR31036		FUSE-HOLDER	2,00	24/07/2009		--
0026	MECE00139	70194	RELAY 24V 70A	1,00			--
0027	MEVR01116	SL23103	SUPPORT FUSIBILE 120 A	3,00			--
0028	VTDD15521	05518	NUT M 8 INX A2 UNI 5588	6,00			--
0029	VTRS01080	05136	WASHER D. 8 GRW	6,00			--
0030	VTDD15925	SL05078	NUT M 4 INX	6,00			--
0031	VTVT00704	SL04149	SCREW TE M 4X 16 UNI5739 INOX	5,00			--
0032	VTVT01580		SCREW TC M5X10 UNI7687 INOX	4,00		17/05/2009	--
0032	VTVT07521		SCREW TCB 5X10	4,00	18/05/2009		--
0033	VTVT21096	SL04032	SCREW TE M 4X 10 INX	1,00			--
0034	VTRS13947	75373	WASHER D. 8 INX UNI 6592	3,00			--
0035	VTDD00147	SL05044	NUT M 4 INX U.5588	1,00			--
0036	METT00053	SL23722	BLOCK PORTA RELE'	1,00			--
0038	VTRS13750	SL06038	WASHER D. 5X14 INX	1,00			--
0039	MEVR00604	70338	FUSE	1,00	06/07/2007		--
0039	MEVR42990	SL23696	FUSE 60A NST.	1,00		05/07/2007	--
0044	METT45116	1380085	CONTACTOR T106P 24V 100%	1,00		21/07/2010	--
0044	METT00085		CONTACTOR 100A	1,00	22/07/2010		--
0045	VTRS00516	SL06034	WASHER D. 5 INX	2,00			--



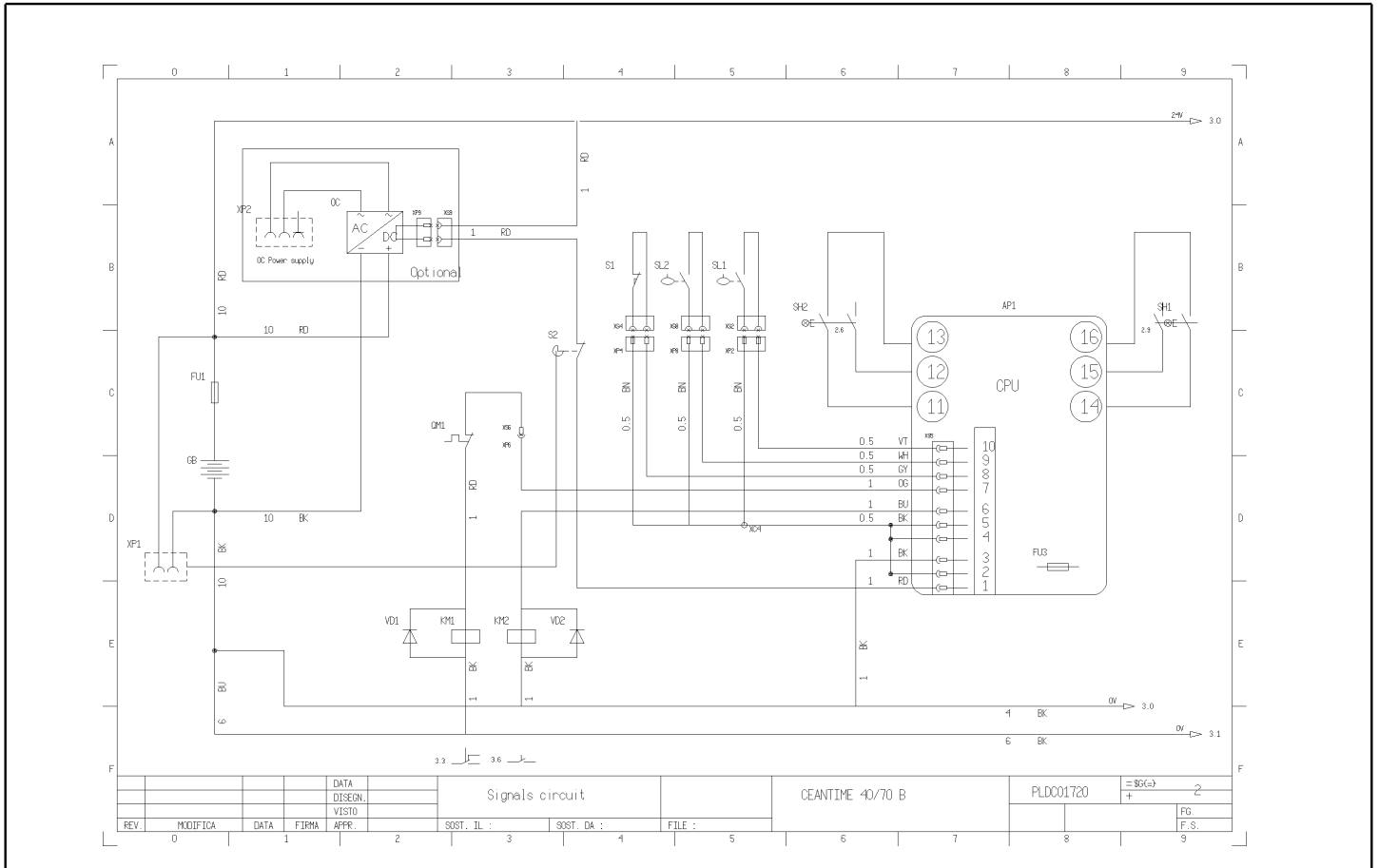
Ref. K	Part n.	Customer part n.	Description	Quantity	Validity		Price
					From	To	
0047	VTVT48694	SL04371	SCREW TCB TC 5 X12 UNI 9707 TZ	2,00			--
0050	MLML00002	1105206	SPRING PRESTOLA DOPPIA 8P	2,00			--
0051	VTVT00704	SL04149	SCREW TE M 4X 16 UNI5739 INOX	1,00			--
0052	MECI00516		SENSOR DI LIVELLO ORIZZONTALE	2,00			--
0054	LAFN35588	SL17162-1	BATTERY SUPPORT LAV. BT	1,00			--
0056	MECB01009		ELECTRI.INSTAL. CT 40 B 24V	1,00			--
0058	MEVR34820	SL23838	WIRING B 450 BT	1,00			--
0060	MPVR00043	12602002	CAP CHIUS.FORO PORTAFUS.L 15	1,00			--
0062	MEVR01707		CONNECTOR -	1,00			--
0064	VTDD08634	SL05031	NUT M2	2,00			--
0065	FSVR00099	SL14150	CLAMP FERMATUBO	2,00			--
0068	MECI00334	SL53031-L	MICROSWITCH V4	1,00			--
0069	LAFN06409		SUPPORT -	1,00			--
0070	VTVT00671	SL04086	SCREW TC- M.2-16 OTTONE	2,00			--
0071	VTVT00872	SL04393	SCREW TSP+ 2.9X13 AUTOFIL. INOX	1,00			--
0072	VTVT00814	SL04320	SCREW TE M.4-25	2,00			--
0073	VTRS15913	SL06107	WASHER D. 4 GROVER A2 UNI1751	2,00			--
0074	LAFN07345		BRACKET TL10	1,00	22/07/2010		--



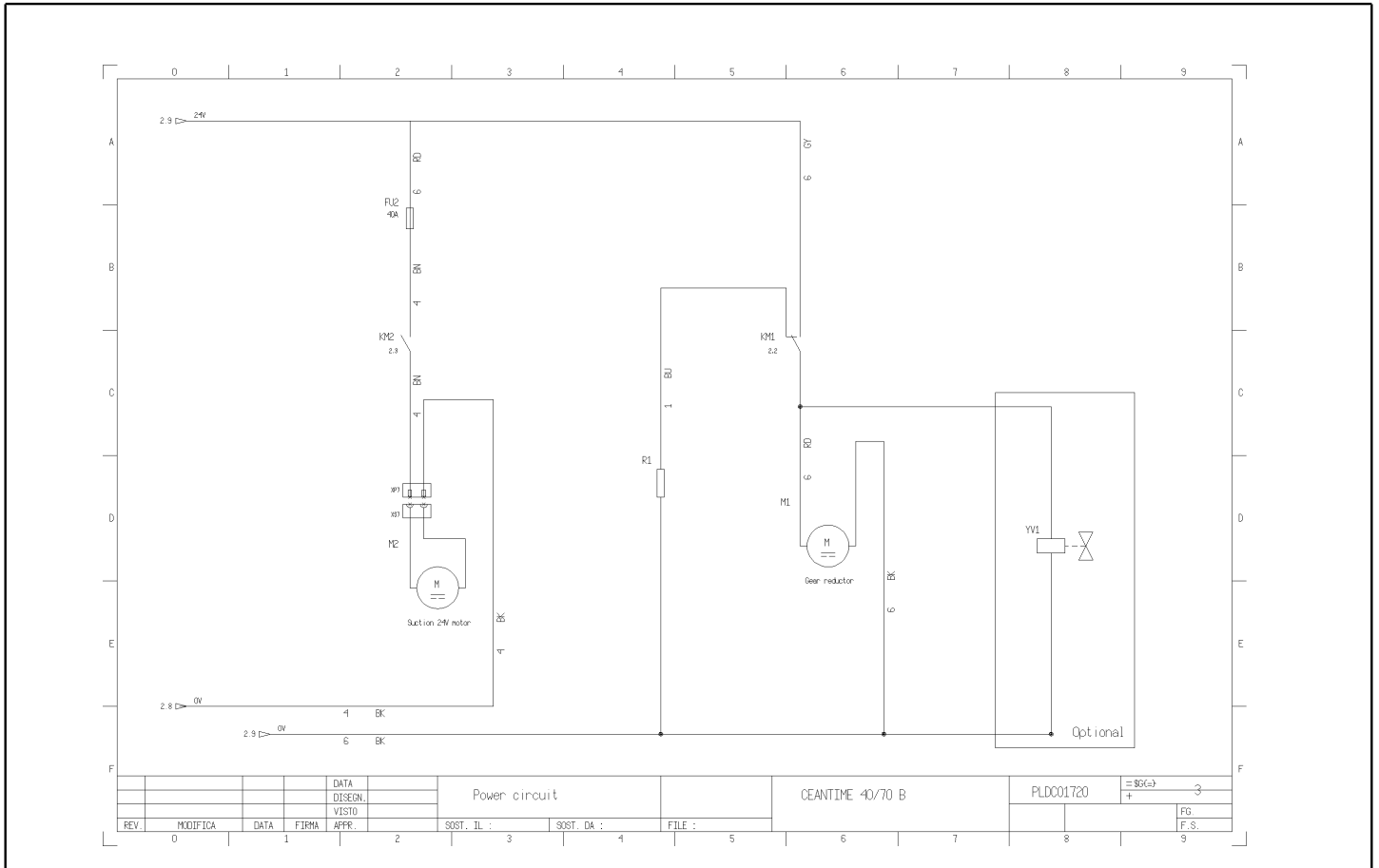
Ref. K	Part n.	Customer part n.	Description	Quantity	Validity		Price
					From	To	
0001	LAFN06391		BUSHING PARALLELOGRAMMA	5,00			--
0002	VTVT24212		SCREW TE M 12X100 UNI 5737 INOX	1,00			--
0003	LAFN04190	SL07682	BUSHING PARALLELOGR.TEST.GR.	2,00			--
0004	LAFN06359		LEVER SOLLEVAMENTO	1,00		31/05/2010	--
0004	LAFN07872		LEVER -	1,00	01/06/2010		--
0005	LAFN06417		LEVER -	1,00		27/01/2009	--
0005	LAFN07602		LEVER -	1,00	28/01/2009	30/06/2013	--
0005	LAFN09270		PEDALE -	1,00	01/07/2013		--
0006	RTRT49171	SL08046	CASTER D. 80-12	1,00			--
0007	MPVR04734		BLOCK TERGI	1,00			--
0008	LAFN04188	SL07680	PIN ROTAZIONE SQUEEGEE	1,00			--
0009	LAFN51068		BUSHING LEVA POSTER.	1,00			--
0010	VTRS13946	SL06025	WASHER D. 8 X24 INX UNI 6593	4,00			--
0011	VTVT00161	05244	SCREW TE M6X20	1,00			--
0012	LAFN10124		PLATE	1,00			--
0013	VTDD01695	SL05039	NUT M 8 INX	7,00			--
0014	LAFN07293		BASE SERBATOIO	1,00			--
0015	RTRT00276	SL08034	SMALL WHEEL GIREVOLE PER SPAZZANTE	1,00		14/05/2008	--
0015	RTRT00518		WHEEL CASTOR D.80X30	1,00	15/05/2008	01/08/2012	--
0015	RTRT00395		WHEEL CASTOR D.80X25 PU	1,00	02/08/2012	15/03/2017	--
0015	RTRT00518		WHEEL CASTOR D.80X30	1,00	16/03/2017		--
0016	LAFN05853	SL39324	LEVER ARM SOLLEVAMENTO TERGI	2,00			--
0017	MLML34726	SL13013	SPRING TR E350 N	1,00			--
0018	VTDD15521	05518	NUT M 8 INX A2 UNI 5588	1,00			--
0019	LAFN03840	SL07318	BUSHING	1,00			--
0020	VTVT15917	SL04143	SCREW TE M 8X50 INOX A2 UNI	1,00			--
0021	VTVT15907	SL04145	SCREW TE 8X25 UNI5739 INX	3,00			--
0022	MLML00310		SPRING -	1,00		18/01/2008	--
0022	MLML00313		SPRING -	1,00	14/05/2008		--
0022	MLML00313		SPRING -	1,00	19/01/2008	13/05/2008	--
0023	VTRS00274	SL06064	WASHER NYLON 66 D.8,4-17-2 UNI	1,00			--
0024	MLML31130	SL13037	SPRING D. 17.5 X110 N38	1,00			--
0027	LAFN06388		ARM TESTATA SUPERIORE	1,00			--
0028	LAFN06389		ARM PARALLELOGRAMMA	1,00			--
0031	VTVT13937	11051230	SCREW TE M 8X 30 INX UNI 5739	1,00		19/04/2011	--
0031	VTVT00410	SL04127	SCREW TE M8x35 UNI5739 INOX	1,00	20/04/2011		--
0032	LAFN06355		PLATE SQUEEGEE	1,00		23/04/2009	--
0032	LAFN07560		PLATE -	1,00	24/04/2009		--
0033	MPVR05186		COVER -	1,00			--
0034	VTRS00312	SL06112	WASHER D.13 x24 INOX	5,00			--
0035	VTDD00176	SL05092	NUT M.12 INOX A2 BASSO AUTOB.	2,00			--
0036	VTVT00836	SL04343	SCREW TE M12-60 INOX	1,00			--
0037	VTRS13947	75373	WASHER D. 8 INX UNI 6592	4,00			--
0040	VTDD01694	SL05074	NUT M6 INOX	5,00			--



Ref. K	Part n.	Customer part n.	Description	Quantity	Validity		Price
					From	To	
0041	VTRS00245	SL06022	WASHER D.6 UNI 6592 INOX	1,00			--
0042	VTVT00410	SL04127	SCREW TE M8x35 UNI5739 INOX	1,00			--
0043	VTVT01683		SCREW TE 6X40	4,00			--
0044	MPVR05134		GASKET D.60 FORO D.12 SP.2	1,00			--
0045	MLML00303		SPRING REGISTRAZIONE FLAP	2,00			--
0046	LAFN03742	SL07164	SPACER SILENZIATORE	1,00		29/06/2008	--
0046	LAFN06898		SPACER 6-8 h15	1,00	30/06/2008		--
0047	VTVT13937	11051230	SCREW TE M 8X 30 INX UNI 5739	2,00			--
0048	VTVR35749	SL20047	HANDWHEEL M 6MAX110 D.35	1,00			--
0050	LAFN35747	SL07199	SPRING SUPPORT LAV. E/B 450	1,00			--



Ref. K	Part n.	Customer part n.	Description	Quantity	Validity		Price
					From	To	
AP1	MECE00398	SL53097	BOARD PANEL CT40-CT70 B	1,00			--
FU1	MEVR00604	70338	FUSE	1,00			--
KM1	METT00056	SL23735	CONTACTOR T-106	1,00			--
KM2	MECE00139	70194	RELAY 24V 70A	1,00			--
QM1	METT00063	SL53035	PROTECTION TERMICA	1,00			--
S1	MECI36393	SL23109	MICROSWITCH TRZ. DRW	1,00			--
SH1	MECI00346	SL53096	SWITCH TTR/L BIP. 24V	1,00			--
SH2	MECI00346	SL53096	SWITCH TTR/L BIP. 24V	1,00			--
SL1	MECI00516		SENSOR DI LIVELLO ORIZZONTALE	1,00			--
SL2	MECI00516		SENSOR DI LIVELLO ORIZZONTALE	1,00			--
XP1	MEVR01079	SL23010K	PLUG M CB50 A 600V RD.	1,00			--



Ref. K	Part n.	Customer part n.	Description	Quantity	Validity		Price
					From	To	
FU2	MEVR02887		FUSE 40A NST.	1,00			--
M1	MOCC00298		MOTOR.GEARBOX MRP6	1,00		11/02/2008	--
M1	MOCC00327		MOTOR GEARBOX 24V 550W	1,00	12/02/2008		--
M2	MOCC00253	SL02455	MOTOR ASPIR.BIST.24V	1,00		04/11/2008	--
M2	MOCC00349		MOTOR VACUUM 2 STAGES 24V	1,00	05/11/2008		--
R1	MECE00391	SL53053	RESISTANCE 1 OHM 50 W	1,00			--
YV1	MEEV00018	SL18414	SOLENOID VALVE	1,00			--

Table: ELEC. DIAGRAM 3

Progressive number: 1

	0	1	2	3	4	5	6	7	8	9
A		AP1 =00 2	Extreme CPU card 24V		R1 =00 3	Resistor		YV1 =00 3	Electroválve 24V 14W DC 7250 169	
B		FU1 =00 3	Fuse 60A NST.		S1 =00 2	Microswitch drive				
		FU2 =00 3	Fise 40A NST.		S2 =00 2	Microswitch external battery chang. connector				
		FU3 =00 2	Blade Fuse 2A Unival		SH1 =00 2	Switch TTR/L Bip. 24V				
C		GB =00 2	24V battery		SH2 =00 2	Switch TTR/L Bip. 24V				
		KM1 =00 2	Contactor T-106		SL1 =00 2	Fluid level				
D		KM2 =00 2	Power relajy 24V		SL2 =00 2	Fluid level				
		M1 =00 3	Gear reductor		VD1 =00 2	Diode				
		M2 =00 3	Suction 24V motor		VD2 =00 2	Diode				
E		OC =00 2	OnBoard Battery changer (optional)		XP1 =00 2	24V ext. battery changer				
		QM1 =00 2	Termical protection gear reductor		XP2 =00 2	OC Power supply				
F										
				Components		CEANTIME 40/70 B		PLDC01720	= 80(-)	4
REV.	MODIFICA	DATA	FIRMA	APPR.	QOST. IL :	QOST. DA :	FILE :			
0					3	4	5			

Ref. K	Part n.	Customer part n.	Description	Quantity	Validity		Price
					From	To	
AP1	MECE00398	SL53097	BOARD PANEL CT40-CT70 B	1,00			--
FU1	MEVR00604	70338	FUSE	1,00			--
FU2	MEVR02887		FUSE 40A NST.	1,00			--
KM1	METT00056	SL23735	CONTACTOR T-106	1,00			--
KM2	MECE00139	70194	RELAY 24V 70A	1,00			--
M1	MOCC00298		MOTOR.GEARBOX MRP6	1,00		11/02/2008	--
M1	MOCC00327		MOTOR GEARBOX 24V 550W	1,00	12/02/2008		--
M2	MOCC00253	SL02455	MOTOR ASPIR.BIST.24V	1,00		04/11/2008	--
M2	MOCC00349		MOTOR VACUUM 2 STAGES 24V	1,00	05/11/2008		--
QM1	METT00063	SL53035	PROTECTION TERMICA	1,00			--
R1	MECE00391	SL53053	RESISTANCE 1 OHM 50 W	1,00			--
S1	MECI36393	SL23109	MICROSWITCH TRZ. DRW	1,00			--
SH1	MECI00346	SL53096	SWITCH TTR/L BIP. 24V	1,00			--
SH2	MECI00346	SL53096	SWITCH TTR/L BIP. 24V	1,00			--
SL1	MECI00516		SENSOR DI LIVELLO ORIZZONTALE	1,00			--
SL2	MECI00516		SENSOR DI LIVELLO ORIZZONTALE	1,00			--
XP1	MEVR01079	SL23010K	PLUG M CB50 A 600V RD.	1,00			--
YV1	MEEV00018	SL18414	SOLENOID VALVE	1,00			--