

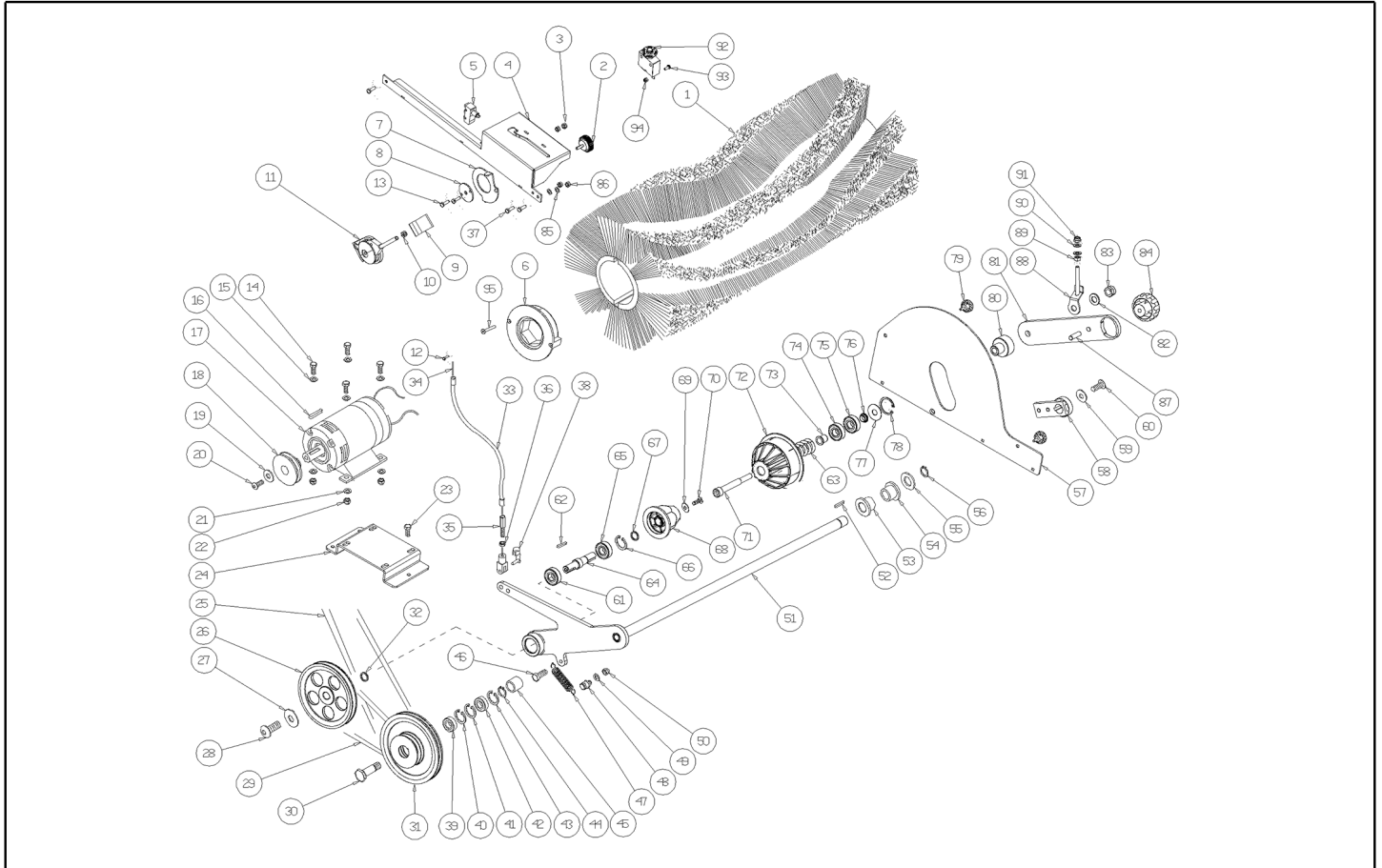


IPC

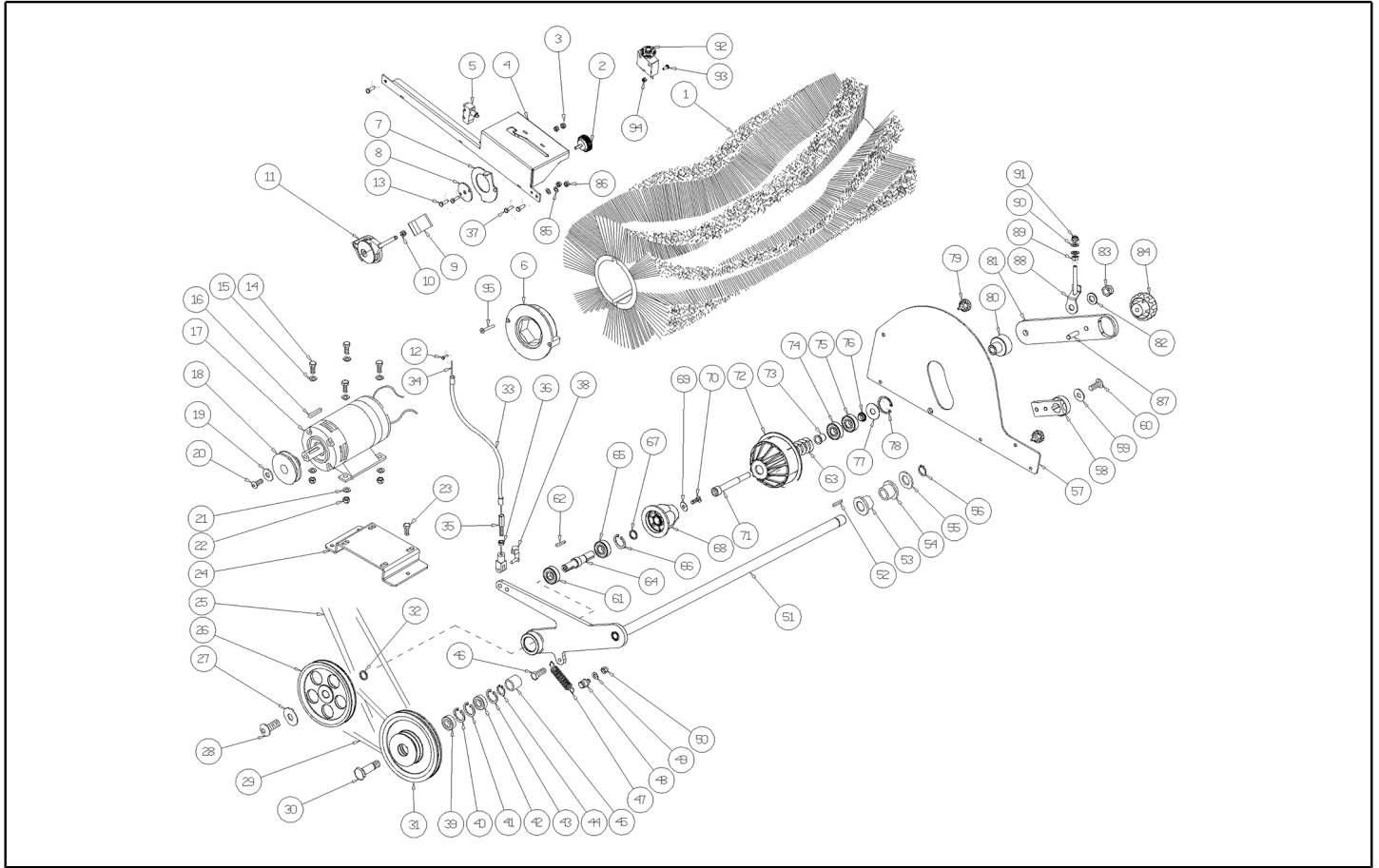
Spare parts list

Ref: MSUB00617

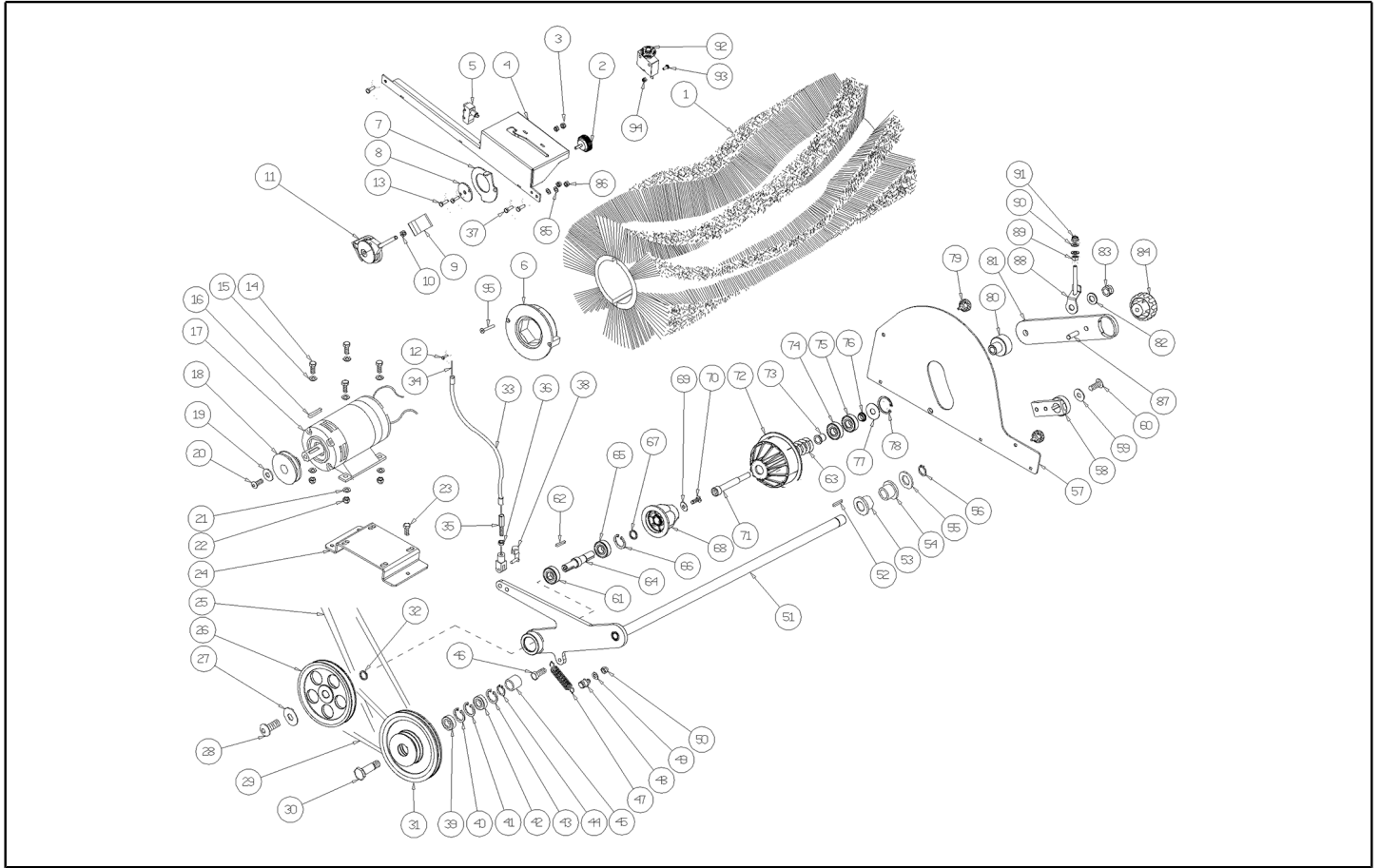
Model: SWEEPER 1280 DP P. F.SAC. GR/VE



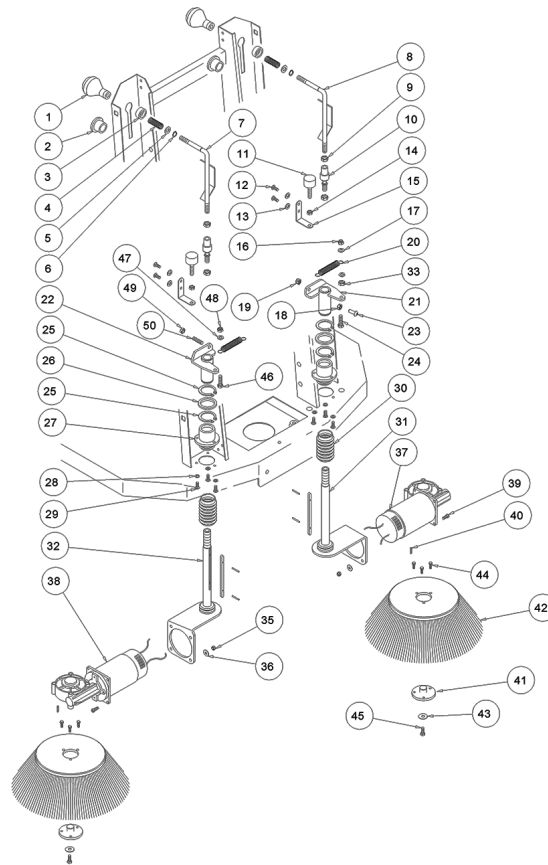
Ref. K	Part n.	Part n. 2	Description	Quantity	Validity		Price
					From	To	
0001	SPPV75791		CENTRAL BRUSH 680X280mm	1,00			--
0002	VTVT00125		HANDWHEEL D.40 M6X15	1,00			--
0003	VTDD00491		NUT M 6 TEF	2,00			--
0004	LAFN08182		LEVER -	1,00			--
0005	MECI75801		MICROSWITCH A PISTONE (MS/10-Z15GC)	1,00			--
0006	LAFN45099		DRIVE DISK CENTRAL BRUSH	1,00			--
0007	LAFN08186		SHEET METAL PA. -	1,00			--
0008	LAFN08176		THICKNESS -	1,00			--
0009	CMCV33356		MANOEUVRE LEVER INOX C/POM.SX NRO	1,00			--
0010	VTDD00483		NUT M 8 ZIN UNI 5588	1,00			--
0011	CMCV33356		MANOEUVRE LEVER INOX C/POM.SX NRO	1,00			--
0012	VTVT34115		SCREW TE M 5X 10 UNI 5739	1,00			--
0013	VTVT00444		SCREW TE 6X20 UNI5739	2,00			--
0014	VTVT00448		SCREW TE 8X30 UNI5739	4,00			--
0015	VTRS00504		WASHER D. 8 ZC. UNI 6592	4,00			--
0016	VTVR13165		KEY UNI 6604 5X5X20	1,00			--
0017	MOCC87164		MOTOR MP80S/2 24V 3500G 600W	1,00			--
0018	MTPL00215		PULLEY -	1,00			--
0019	VTRS63242		WASHER UNI 6593 6X24X2 ZB	1,00			--
0020	VTVT01531		SCREW TE 6X 16 UNI 5739	1,00			--
0021	VTRS00504		WASHER D. 8 ZC. UNI 6592	4,00			--
0022	VTDD00124		NUT M8 DIN985	4,00			--
0023	VTVT62920		SCREW TE FR 6X16 ZB ZIGRINATE	3,00			--
0024	LAFN08171		SHEET METAL PA. TK1000	1,00			--
0025	MTCG00139		BELT XPZ ESEC.6T 6B LP825	1,00			--
0026	MTPL75998		PULLEY CENTRAL BRUSH ACTIVATION	1,00			--
0027	VTRS00513		WASHER UNI 6593 8X32X2,5 ZB	1,00			--
0028	VTVT87271		SCREW TBCE ISO 7380 8X16 ZB	1,00			--
0029	MTCG00138		BELT XPZ ESEC.6T 6B LP758	1,00			--
0030	LAFN00465		PIN FISSAG.PULEGGIA RINVIO	1,00			--
0031	MTPL75999		PULLEY BELT TRANSMISSION CENT.BR	1,00			--
0032	LAFN06823		SPACER CUSCINETTI ALB.SPAZ.CENT.	1,00			--
0033	CMCV75904		BRAKE SHEATH TK 1000E/S	1,00			--
0034	CMCV00451		CABLE STEEL MAIN BRUSH LIFTING	1,00			--
0035	LAFN76659		PIN REGISTR.CAVO ALZA SPAZZ.	1,00			--
0036	VTDD86871		NUT UNI 5589 M7 ZB	1,00			--
0037	VTVT62920		SCREW TE FR 6X16 ZB ZIGRINATE	3,00			--
0038	CMCV75718		CLIP UNI 1676 M8	1,00			--
0039	CUVR00005		BEARING 6202 2RS	1,00			--
0040	VTAE17002		CIRCLIP D. 35 UNI 7437	1,00			--
0041	VTAE17002		CIRCLIP D. 35 UNI 7437	1,00			--
0042	CUVR00005		BEARING 6202 2RS	1,00			--
0043	VTAE17002		CIRCLIP D. 35 UNI 7437	1,00			--
0044	VTAE17003		CIRCLIP ESTERNO DIN 471 D.15	1,00			--



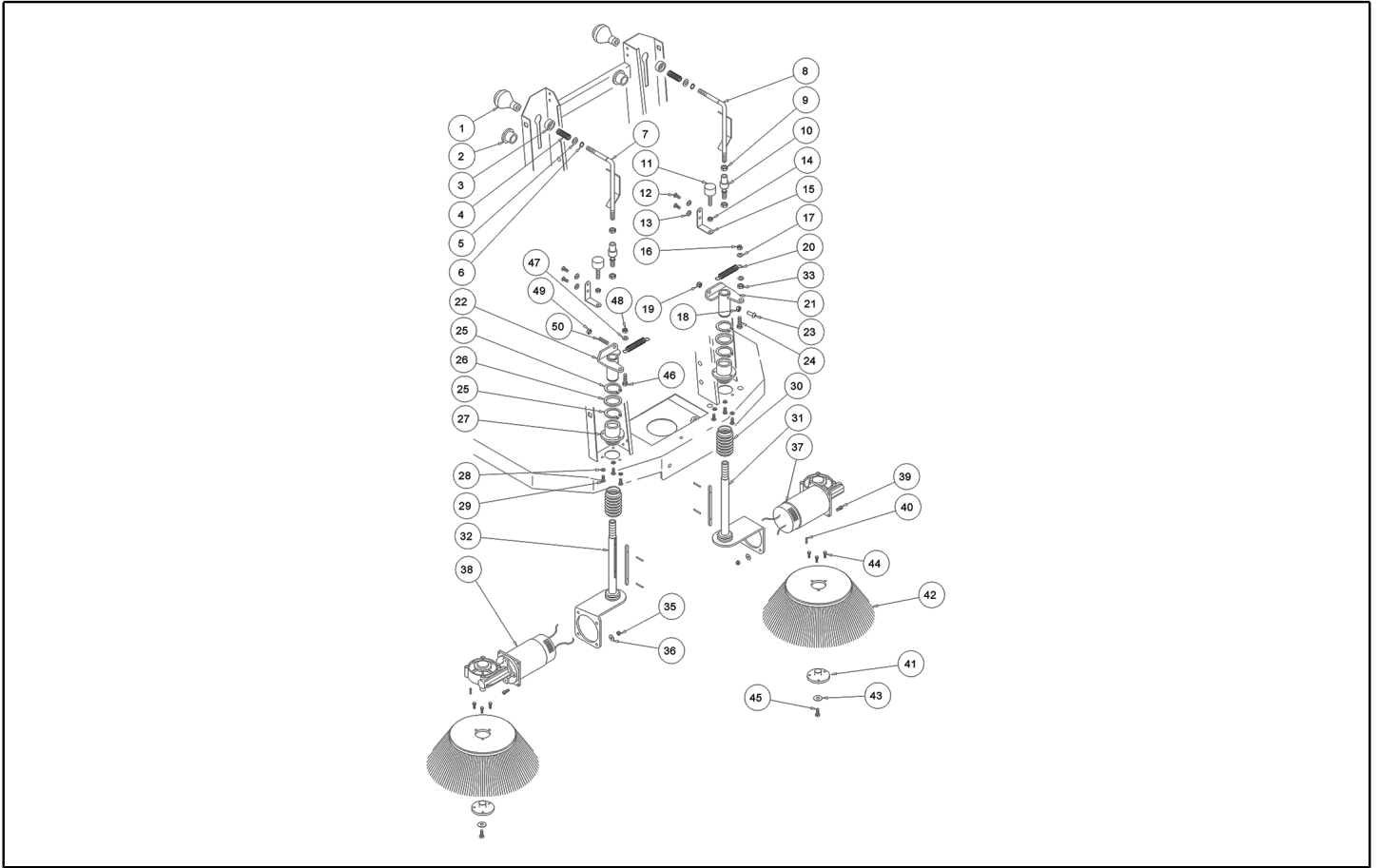
Ref. K	Part n.	Part n. 2	Description	Quantity	Validity		Price
					From	To	
0045	LAFN00091		BUSHING PER PULEGGIA TRAINO	1,00			--
0046	VTVT63129		SCREW TE FR 8X16 ZB ZIGRINATE	1,00			--
0047	MLML87162		SPRING CON GANCI D.17X2X150 ZB	1,00			--
0048	LAFN00464		PIN MOLLA RITORN.SPAZZ.CENTR.	1,00			--
0049	VTRS00504		WASHER D. 8 ZC. UNI 6592	1,00			--
0050	VTDD00124		NUT M8 DIN985	1,00			--
0051	LAFN08197		ARM -	1,00			--
0052	VTVR28706		KEY UNI 6604 6X6X20	1,00			--
0053	MPVR85319		BUSHING INTERNA SUPPORTO BILANC.	1,00			--
0054	MPVR85319		BUSHING INTERNA SUPPORTO BILANC.	1,00			--
0055	VTRS00509		WASHER D.20 PIANA Z. UNI6592	1,00			--
0056	VTAE06193		CIRCLIP D. 20 UNI 7435	1,00			--
0057	LAFN36064		CLOSURE BRUSH COMPARTMENT	1,00			--
0058	LAFN00699		CLAMP BRACCIO BLOC.SPAZZ.TK1000	1,00			--
0059	VTRS00514		WASHER UNI 6593 10X30X2,5 ZB	1,00			--
0060	VTVT47025		SCREW TBCE ISO 7380 10X16 ZB	1,00			--
0061	CUVR17004		BALL BEARING 6202 -2RS1	1,00			--
0062	VTVR13165		KEY UNI 6604 5X5X20	1,00			--
0063	MLML00295		SPRING SPAZZOLA CENTRALE	1,00			--
0064	LAFN08198		SHAFT -	1,00			--
0065	CUVR17004		BALL BEARING 6202 -2RS1	1,00			--
0066	VTAE17002		CIRCLIP D. 35 UNI 7437	1,00			--
0067	LAFN06823		SPACER CUSCINETTI ALB.SPAZ.CENT.	1,00			--
0068	MPVR04915		HUB CENTRAL BRUSH 1404	1,00			--
0069	VTRS04026		WASHER D. 6X18X2,38	1,00			--
0070	VTVT62920		SCREW TE FR 6X16 ZB ZIGRINATE	1,00			--
0071	VTVT01128		SCREW TCCE UNI 5931 12X120 ZB	1,00			--
0072	MPVR04923		SUPPORT SPAZZOLA CENTRALE	1,00			--
0073	LAFN06782		BUSHING PER CUSCINETTO	1,00			--
0074	CUVR17004		BALL BEARING 6202 -2RS1	1,00			--
0075	CUVR17004		BALL BEARING 6202 -2RS1	1,00			--
0076	LAFN06783		BUSHING PER CUSCINETTO 1	1,00			--
0077	VTRS00553		WASHER PARAPOLVERE	1,00			--
0078	VTAE17002		CIRCLIP D. 35 UNI 7437	1,00			--
0079	RTRT00022		HANDWHEEL D.30 M6X15	2,00			--
0080	LAFN06836		PIN CENTRAGGIO PROTEZIONE	1,00		03/09/2015	--
0080	LAFN09473		BUSHING -	1,00	04/09/2015		--
0081	LAFN08193		ARM -	1,00			--
0082	VTRS00506		WASHER D.12 UNI 6592	1,00			--
0083	VTDD00012		NUT AUTOBLOK DIN 985 M12 ZB	1,00			--
0084	VTVR00047		HANDWHEEL D.50 M8	1,00			--
0085	VTRS00504		WASHER D. 8 ZC. UNI 6592	2,00			--
0086	VTDD00491		NUT M 6 TEF	2,00			--
0087	VTVT00046		GRUB SCREW UNI 5923 8X35 ZB	1,00			--



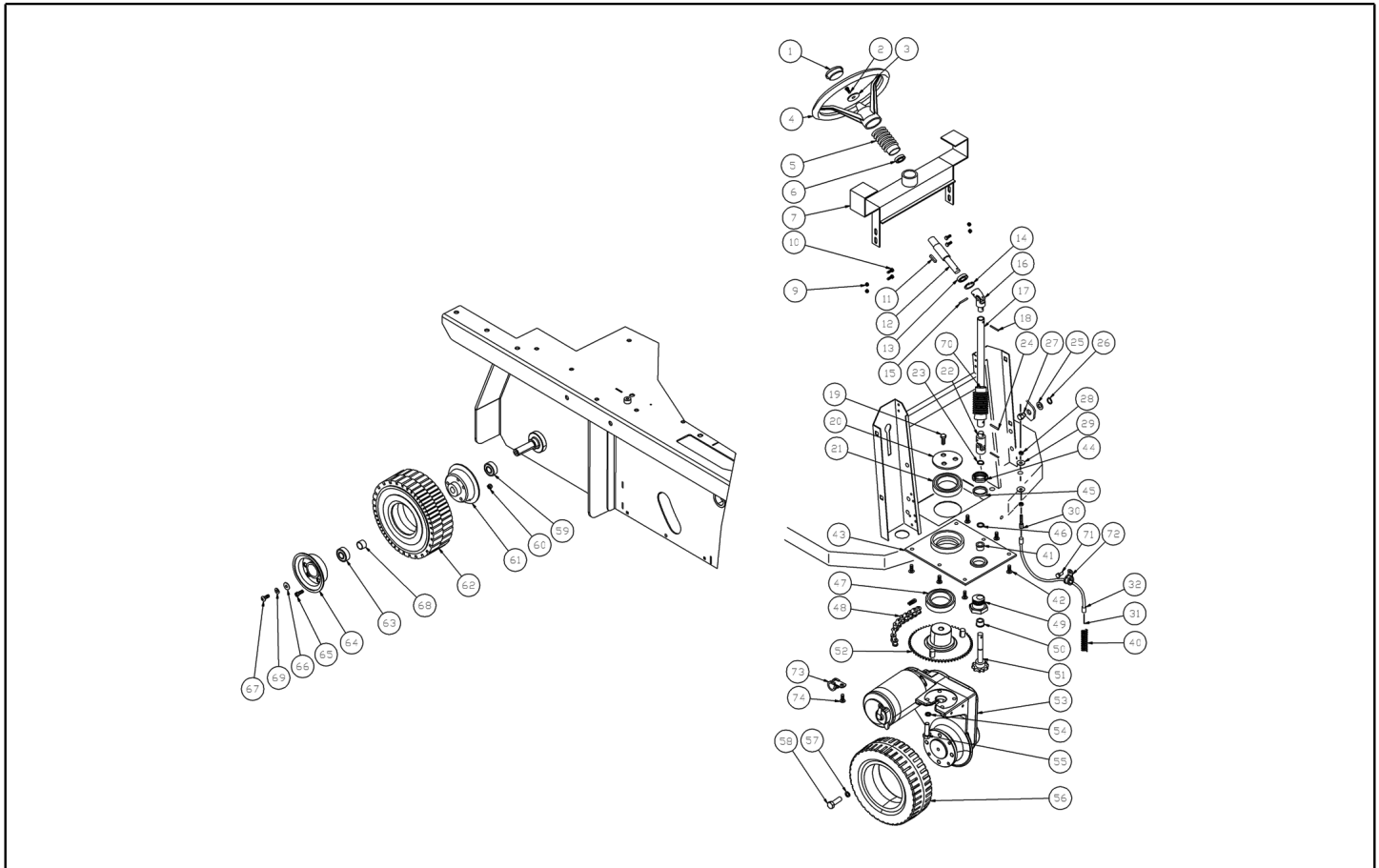
Ref. K	Part n.	Part n. 2	Description	Quantity	Validity		Price
					From	To	
0088	LAFN08826		REGISTER -	1,00	19/05/2015		--
0089	VTDD00483		NUT M 8 ZIN UNI 5588	1,00	19/05/2015		--
0090	VTRS00504		WASHER D. 8 ZC. UNI 6592	2,00	19/05/2015		--
0091	VTDD00124		NUT M8 DIN985	1,00	19/05/2015		--
0092	MEVR02899		FUSE CIRCUIT BREAKER 35A	1,00	13/12/2016		--
0093	VTVT00722		SCREW	2,00	13/12/2016		--
0094	VTDD00210		NUT M 3 AUTOBL.DIN 985 IX.A2	2,00	13/12/2016		--
0095	VTVT01705		SCREW 4X45 UNI 9709	2,00			--



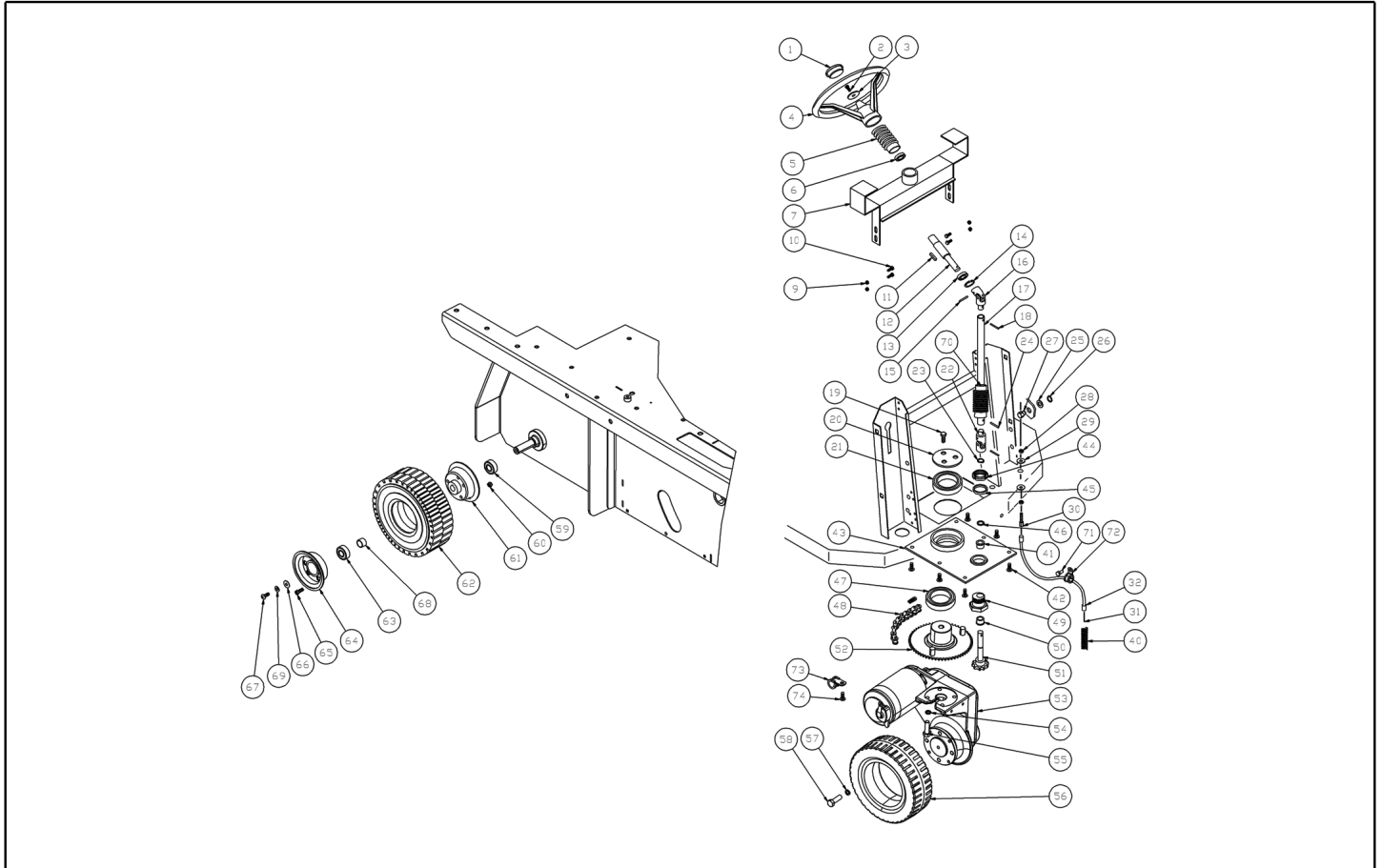
Ref. K	Part n.	Part n. 2	Description	Quantity	Validity		Price
					From	To	
0001	MPVR87264		KNOB ALZASPAZ.LATERALE TK1000	2,00			--
0002	MPVR47076		BUSHING DI FERMO BRACCIO LAT.	2,00			--
0003	MPVR47074		BUSHING FERMO ALZASPAZ.LAT.INT.	2,00			--
0004	MLML47075		SPRING LEVA SPAZ.LAT.D.15X1,5X24	2,00			--
0005	VTRS00505		WASHER D.10 UNI 6592	2,00			--
0006	VTAE87276		SEEGER EXT. D10 DIN471	2,00			--
0007	LAFN00700		ARM DX ALZA SPAZ. TK1000 ZINC	1,00			--
0008	LAFN87265		ARM SX ALZA SPAZ.LAT.TK1000zn	1,00			--
0009	VTDD00484		NUT M10 ZIN UNI 5588	2,00		29/12/2014	--
0009	VTDD00008		NUT M10 UNI 5589 ZB	4,00	30/12/2014		--
0010	VTVR47072		ARTICULATION ASSIALE M10	2,00			--
0011	MPVR75799		FOOT 20X9 M6X18	2,00		29/12/2014	--
0011	ABGO00008		VIBRATION DAMP. PM 20X20 M6X20	2,00	30/12/2014		--
0012	VTVT75726		SCREW TBCE ISO 7380 6X16 ZB	4,00			--
0013	VTRS04026		WASHER D. 6X18X2.38	4,00			--
0014	VTDD00482		NUT M 6 ZIN UNI 5588	2,00			--
0015	MPVR86579		SUPPORT TK	2,00			--
0016	VTDD00124		NUT M8 DIN985	2,00			--
0017	VTRS00504		WASHER D. 8 ZC. UNI 6592	2,00			--
0018	VTDD00483		NUT M 8 ZIN UNI 5588	1,00			--
0019	VTDD00124		NUT M8 DIN985	1,00			--
0020	MLML00015		SPRING RIT.BR.LAT.D.19X3,25X57zb	2,00			--
0021	LAFN08975		GUIDE -	1,00			--
0022	LAFN08974		GUIDE -	1,00			--
0023	VTVT75724		SCREW TBCE ISO 7380 8X22 ZB	1,00			--
0024	VTVT00447		SCREW TE 8X25 UNI5739	1,00			--
0025	VTAE12644		CIRCLIP ESTERNO DIN 471 D.30	4,00			--
0026	LAFN47081		SPACER PROT.SEEGER SPAZ.LAT 1000	2,00			--
0027	LAFN08973		FLANGE -	2,00			--
0028	VTRS00504		WASHER D. 8 ZC. UNI 6592	6,00			--
0029	VTVT75725		SCREW TBCE ISO 7380 6X10 ZB	6,00			--
0030	MPVR47066		PROTECTOR X ALBERO SPAZZOLA TK1000	2,00			--
0031	LAFN08196		SUPPORT -	1,00			--
0032	LAFN08195		SUPPORT -	1,00			--
0033	VTDD00483		NUT M 8 ZIN UNI 5588	1,00			--
0035	VTDD00491		NUT M 6 TEF	8,00		10/11/2016	--
0036	VTRS00503		WASHER D. 6 UNI 6798	8,00			--
0037	RDGR75785		MOTOR.GEARBOX AOMPI40 24V 90W SX TK1000	1,00		22/03/2015	--
0037	MOCC00443		MOTOR LEFT SIDE BRUSH MOT.1250B	1,00	23/03/2015		--
0038	RDGR75784		MOTOR.GEARBOX AOMPI40 24V 90W DX TK1000	1,00		22/03/2015	--
0038	MOCC00442		MOTOR RIGHT SIDE BRUSH MOT.1250	1,00	13/03/2015		--
0039	VTVT06237		SCREW TCCE UNI 5931 6X20 ZB	8,00		10/11/2016	--
0039	VTVT09913		SCREW TCCE UNI 5931 6X16 ZB	8,00	11/11/2016		--
0040	VTVR33667		KEY UNI 6604 5X5X25	2,00			--



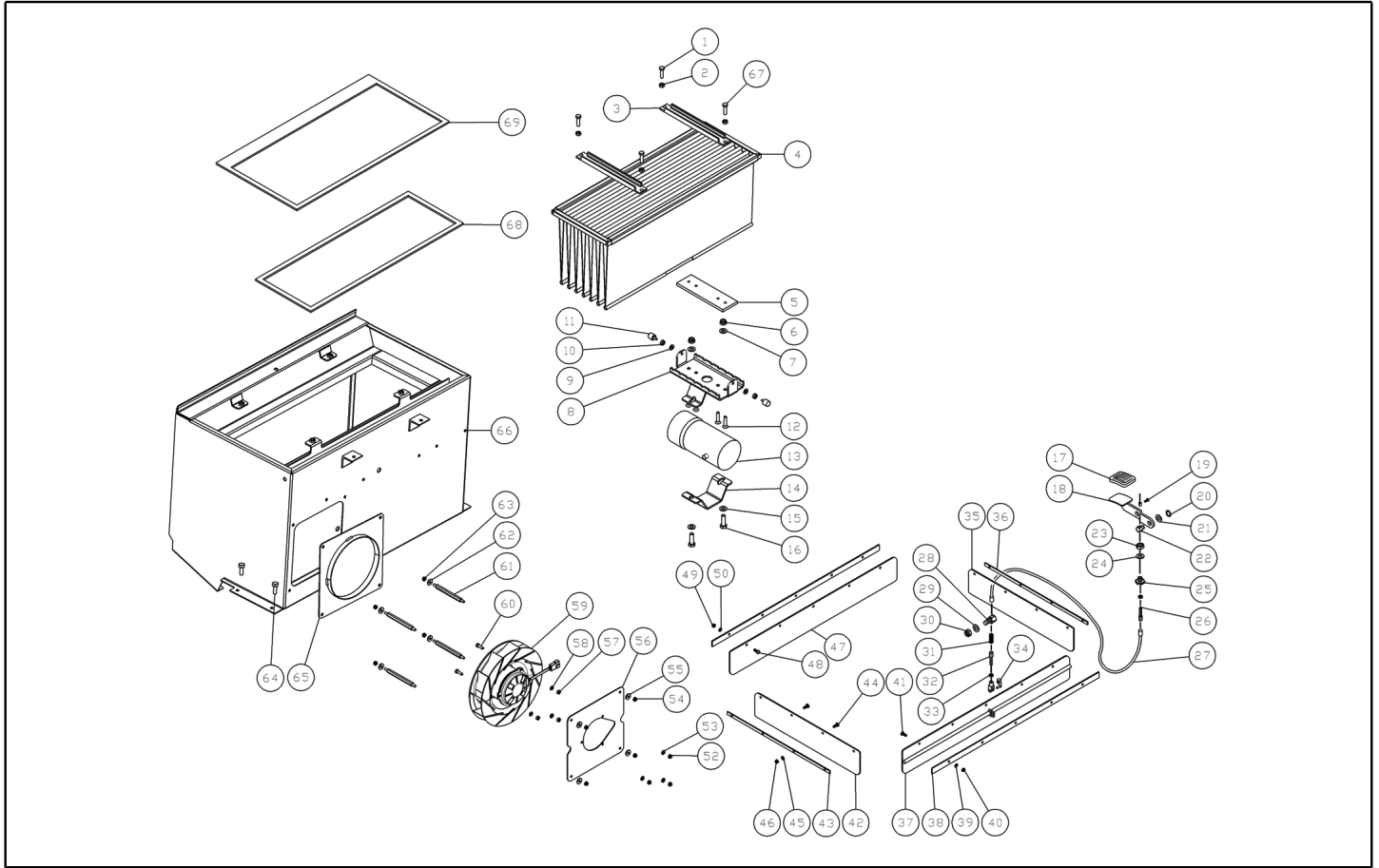
Ref. K	Part n.	Part n. 2	Description	Quantity	Validity		Price
					From	To	
0041	LAFN45010		FLANGE FISS.SPAZZ.LAT.TK1000	2,00			--
0042	SPPV00018		SIDE-BRUSH 1202-1250-1280	2,00			--
0043	VTRS63242		WASHER UNI 6593 6X24X2 ZB	2,00			--
0044	VTVT62920		SCREW TE FR 6X16 ZB ZIGRINATE	6,00			--
0045	VTVT00527		SCREW TE FR 6X10 ZB ZIG.	2,00			--
0046	VTVT63129		SCREW TE FR 8X16 ZB ZIGRINATE	1,00			--
0047	VTRS00504		WASHER D. 8 ZC. UNI 6592	1,00			--
0048	VTDD00492		NUT AUTOBLOK DIN 982 M8 ALTO	1,00			--
0049	VTDD00483		NUT M 8 ZIN UNI 5588	1,00			--
0050	VTVT00046		GRUB SCREW UNI 5923 8X35 ZB	1,00			--



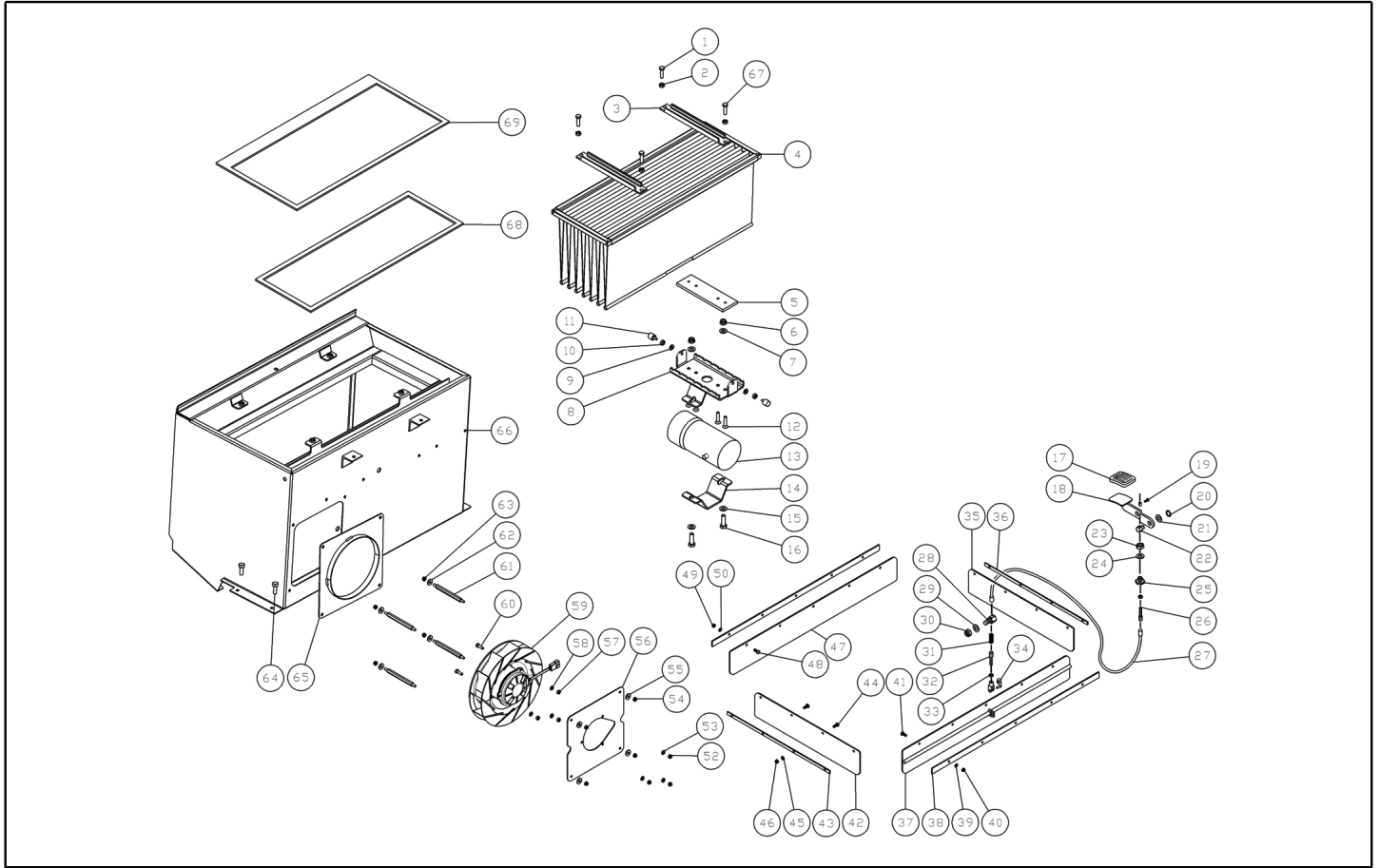
Ref. K	Part n.	Part n. 2	Description	Quantity	Validity		Price
					From	To	
0001	MPVR47026		CAP PER VOLANTE	1,00			--
0002	VTVT47025		SCREW TBCE ISO 7380 10X16 ZB	1,00			--
0003	VTRS44254		WASHER UNI 6593 10X40X2,5 ZB	1,00			--
0004	MPVR47027		STEERING WHEEL D.320 SENZA POMELLO	1,00			--
0005	MPVR47066		PROTECTOR X ALBERO SPAZZOLA TK1000	1,00			--
0006	CUVR00005		BEARING 6202 2RS	1,00			--
0007	LAFN09337		SUPPORT 1250-1280	1,00			--
0009	VTDD07887		NUT M 6 SERPRESS	4,00			--
0010	VTVT62920		SCREW TE FR 6X16 ZB ZIGRINATE	4,00			--
0011	VTVR13164		KEY UNI 6604 5X5X30	1,00			--
0012	ALTR00011		SHAFT PER VOLANTE TK1000	1,00			--
0013	CUVR00005		BEARING 6202 2RS	1,00			--
0014	VTAE17002		CIRCLIP D. 35 UNI 7437	1,00			--
0015	VTVR46987		ELASTIC PLUG DIN 1481 5X25	1,00		01/05/2017	--
0015	VTVR00327		PLUG -	1,00	02/05/2017		--
0016	PMTR00021		SHAFT STERZO 1000 T.NUOVO COMPL	1,00			--
0017	PMTR00021		SHAFT STERZO 1000 T.NUOVO COMPL	1,00			--
0018	VTVR46987		ELASTIC PLUG DIN 1481 5X25	1,00		01/05/2017	--
0018	VTVR00327		PLUG -	1,00	02/05/2017		--
0019	VTVT00014		SCREW TE UNI 5739 8X20 CL.10.9	3,00			--
0020	LAFN47004		WASHER BLOCCA RAL	1,00			--
0021	CUVR75816		BEARING 51112	1,00			--
0022	PMTR00021		SHAFT STERZO 1000 T.NUOVO COMPL	1,00			--
0023	VTAE17003		CIRCLIP ESTERNO DIN 471 D.15	1,00			--
0024	VTVR46987		ELASTIC PLUG DIN 1481 5X25	1,00		01/05/2017	--
0024	VTVR00327		PLUG -	1,00	02/05/2017		--
0025	VTRS00506		WASHER D.12 UNI 6592	1,00			--
0026	VTAE14016		SEEGER ESTERNO DIN 471 D.12	1,00			--
0027	LAFN75973		PIN FISSAG.CAVI FERMA FLAP	1,00			--
0028	VTDD00482		NUT M 6 ZIN UNI 5588	2,00			--
0029	VTRS04026		WASHER D. 6X18X2.38	2,00			--
0030	CMCV02396		REGISTER CH. 8X 6MAX30	1,00			--
0031	CMCV00468		CABLE 1250-1280 E-DP	1,00			--
0032	CMCV00467		SHEATH 1250-1280 E-DP	1,00			--
0040	MLML00033		SPRING ALZAFLAP SILVER ZB	1,00			--
0041	LAFN75841		BUSHING CENTR.PIGNONE RUOTA ANT.	1,00			--
0042	VTVT00456		SCREW TE UNI 5739 10X25 ZB	6,00			--
0043	LAFN85521		FLANGE FISSAG.RUOTA ANT.TK1000zn	1,00			--
0044	VTVR75747		RING NUT AUTOBLOK M35X1,5 GUK	1,00			--
0045	LAFN75913		SPACER BOCCOLA ECCENTRICA TK1000	1,00			--
0046	MPVR75734		THICKNESS 15X22X0,5	1,00			--
0047	CUVR75816		BEARING 51112	1,00			--
0048	MTCR85008		CHAIN SWEEP 1000 ET	1,00			--
0049	LAFN75842		BUSHING ECCNTRICA TENDICATENA	1,00			--



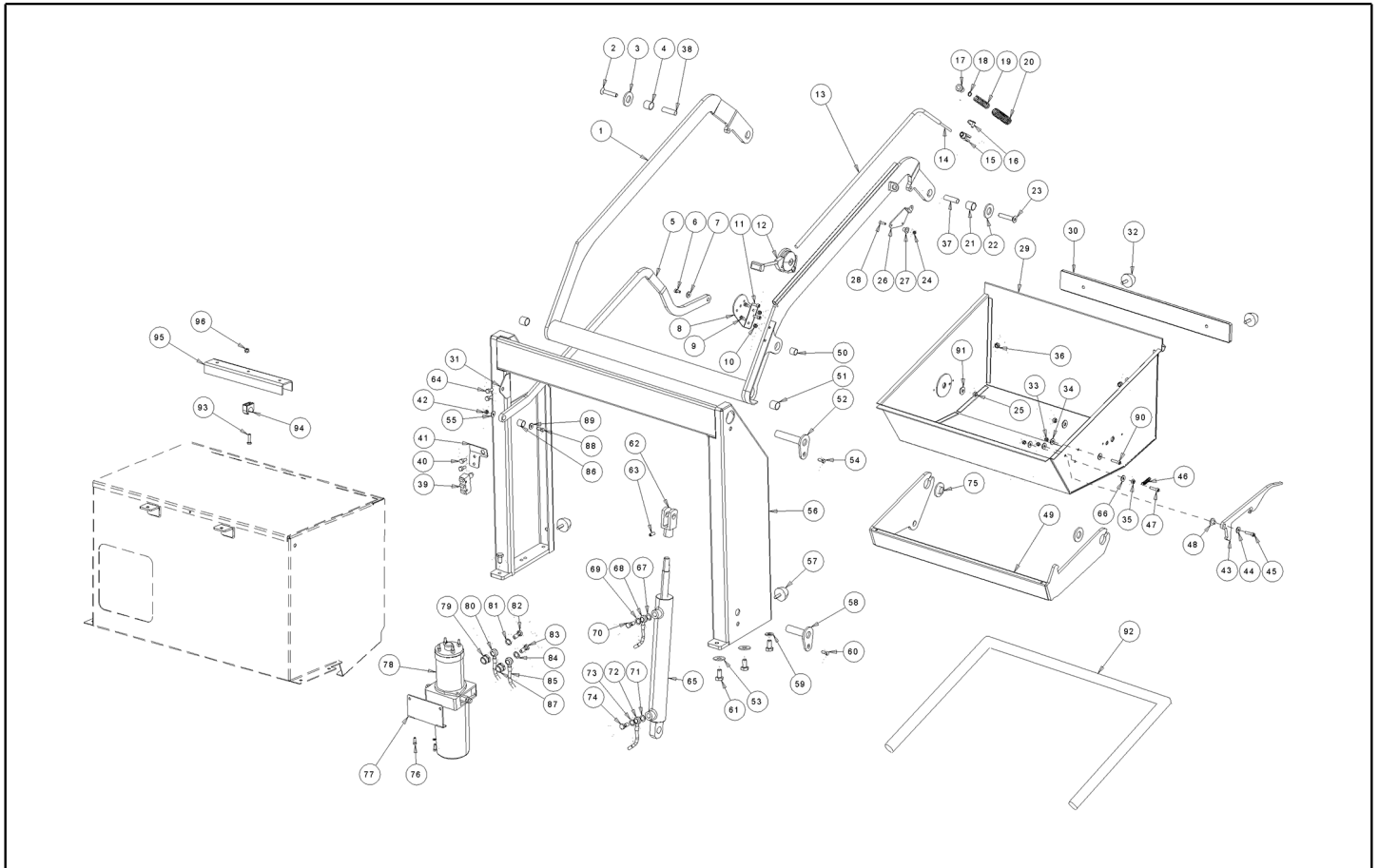
Ref. K	Part n.	Part n. 2	Description	Quantity	Validity		Price
					From	To	
0050	LAFN75841		BUSHING CENTR.PIGNONE RUOTA ANT.	1,00			--
0051	KTRI46514		ECCENTRIC BUSH. TK1000 COMPLETA	1,00			--
0052	LAFN08185		BRAKE -	1,00			--
0053	MOCC00434		MOTORWHEEL WITH BRAKE 1250	1,00			--
0054	VTRS00107		WASHER M10 Grover	4,00			--
0055	VTVT00456		SCREW TE UNI 5739 10X25 ZB	4,00			--
0056	RTRT00548		WHEEL FRONT 1250-1280 E-DP	1,00			--
0057	VTRS15919		WASHER D.12 GROVER UNI 1751 INX	4,00			--
0058	VTVT00025		SCREW TE UNI 5739 12X16 ZB	4,00			--
0059	CUVR00008		BEARING 6003 2RS	2,00		24/07/2016	--
0059	CUVR00104		BEARING SKF 6003- 2RSH	2,00	25/07/2016		--
0060	VTDD00124		NUT M8 DIN985	10,00			--
0061	LAFN85380		HUB RUOTA POST.D124 H.33.5	2,00			--
0062	KTRI75744		REAR WHEELS TIRE 1000-1250-1280	2,00			--
0063	CUVR00008		BEARING 6003 2RS	2,00		24/07/2016	--
0063	CUVR00104		BEARING SKF 6003- 2RSH	2,00	25/07/2016		--
0064	LAFN85290		HUB ruota 124x57.5	2,00			--
0065	VTVT00066		SCREW TCCE UNI 5931 8X25 ZB	10,00			--
0066	VTRS00512		WASHER D. 8 X24 ZC.	2,00			--
0067	VTVT01110		SCREW TE 8X16 UNI5739	2,00			--
0068	LAFN00275		SPACER INTERNO RUOTA POST.TK1300	2,00			--
0069	VTRS01080		WASHER D. 8 GRW	2,00			--
0070	MPVR47066		PROTECTOR X ALBERO SPAZZOLA TK1000	1,00			--
0071	VTVT62920		SCREW TE FR 6X16 ZB ZIGRINATE	1,00			--
0072	FSVR00005		CLAMP TIPO "ECO"FORO MM8 D.1 W0	1,00			--
0073	FSVR00043		CLAMP d.16	1,00			--
0074	VTVT62920		SCREW TE FR 6X16 ZB ZIGRINATE	1,00			--



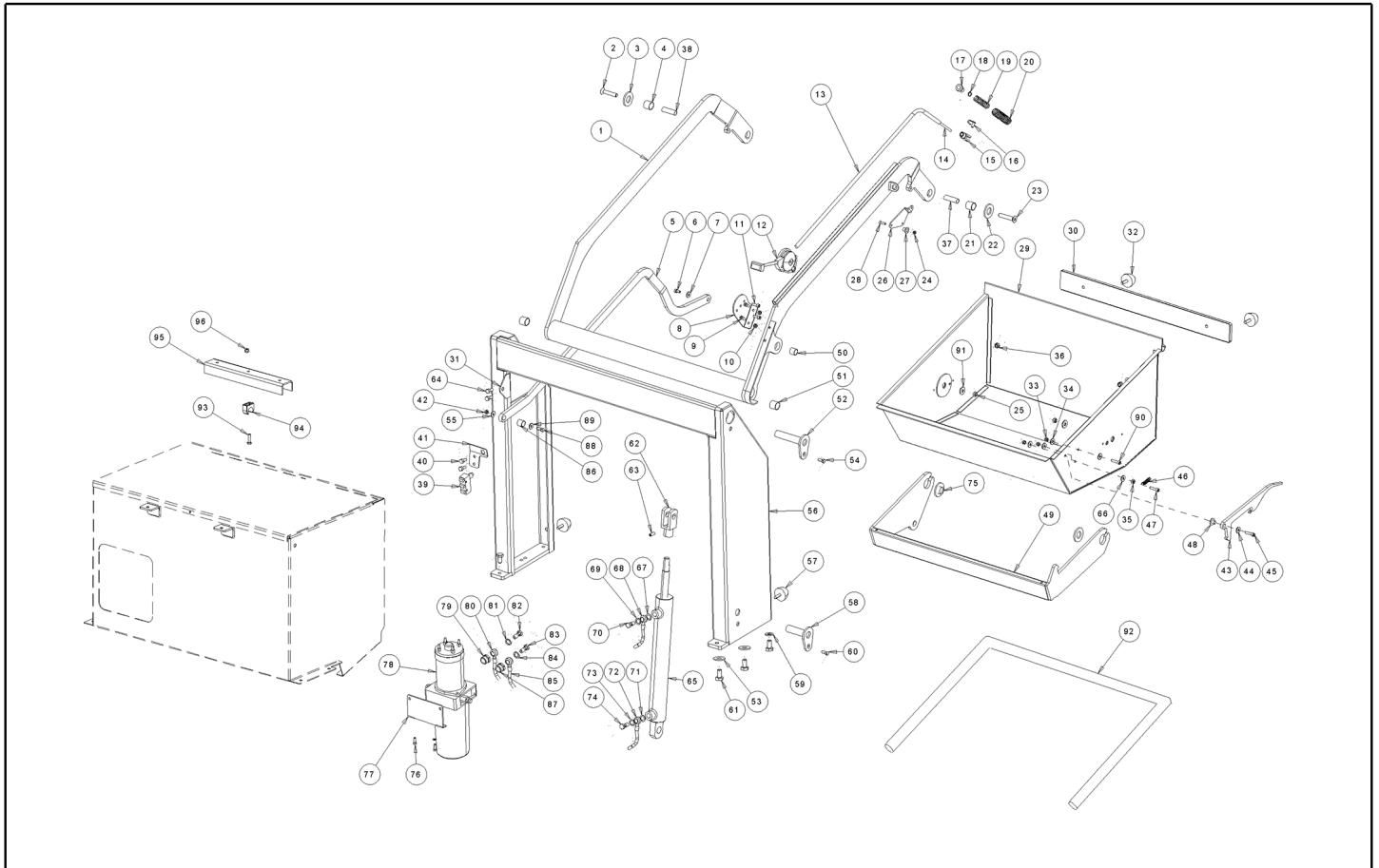
Ref. K	Part n.	Part n. 2	Description	Quantity	Validity		Price
					From	To	
0001	VTVT00447		SCREW TE 8X25 UNI5739	2,00			--
0002	VTDD00483		NUT M 8 ZIN UNI 5588	4,00			--
0003	LAFN08903		BRACKET -	2,00			--
0004	FTDP00214		FILTER PLEATED POLYESTER 1280	1,00			--
0005	LAFN08921		PLATE -	1,00			--
0006	VTDD00042		NUT AUT.M10 UNI7474	2,00			--
0007	VTRS00505		WASHER D.10 UNI 6592	2,00			--
0008	LAFN08917		BRACKET -	1,00			--
0009	VTRS00503		WASHER D. 6 UNI 6798	2,00			--
0010	VTDD00491		NUT M 6 TEF	2,00			--
0011	ABGO00013		VIBRATION DAMP. 25x25 M6x25	2,00			--
0012	VTVT00427		SCREW TSPEI 8X35 UNI5933 INX	4,00			--
0013	MOCC00391		MOTOR	1,00			--
0014	LAFN06718		BRACKET -	1,00			--
0015	VTRS00505		WASHER D.10 UNI 6592	2,00			--
0016	VTVT00458		SCREW TE M 10X35 ZINC. UNI 5739	2,00			--
0017	MPVR45096		PEDAL COVER GRANDE V1021	1,00			--
0018	LAFN76008		PEDAL ALZAFLAP TK1000 ZINCATO	1,00			--
0019	VTVR00028		CLAMP PER CASSETTO G1300	1,00			--
0020	VTAE14016		SEEGER ESTERNO DIN 471 D.12	1,00			--
0021	VTRS00506		WASHER D.12 UNI 6592	1,00			--
0022	LAFN75973		PIN FISSAG.CAVI FERMA FLAP	1,00			--
0023	VTDD01682		NUT M12 ZC UNI 5588	1,00			--
0024	VTRS00505		WASHER D.10 UNI 6592	1,00			--
0025	LAFN75975		PIN CENTRAG.FILO PEDALE FRENO	1,00			--
0026	CMCV75723		REGISTER D.7	1,00			--
0027	CMCV75905		SHEATH X CABLE	1,00			--
0028	LAFN75976		PIN GUIDA MOLLA ALZAFLAP 1000	1,00			--
0029	VTRS00506		WASHER D.12 UNI 6592	1,00			--
0030	VTDD00012		NUT AUTOBLOK DIN 985 M12 ZB	1,00			--
0031	MLML75962		SPRING ALZAFLAP D.11,5X1,5 ZB	1,00			--
0032	CMCV45110		CORD D. 2.5 FLAP L.14	1,00			--
0033	VTDD00482		NUT M 6 ZIN UNI 5588	1,00			--
0034	CMCV75717		CLIP UNI 1676 M6	1,00			--
0035	MPVR75936		FLAP LH-RH SIDES TK1000	1,00			--
0036	LAFN00305		CLAMP FLAP DX/SX TK1000 NERO	1,00			--
0037	MPVR75935		FLAP FRONT TK1000 MODELS	1,00			--
0038	LAFN86529		CLAMP FLAP ANT/POST TK1000 NERO	1,00			--
0039	VTRS00503		WASHER D. 6 UNI 6798	8,00			--
0040	VTDD00491		NUT M 6 TEF	8,00			--
0041	VTVT75721		SCREW TTDE UNI 5732 6X16 ZB	8,00			--
0042	MPVR75936		FLAP LH-RH SIDES TK1000	1,00			--
0043	LAFN00305		CLAMP FLAP DX/SX TK1000 NERO	1,00			--
0044	VTVT75721		SCREW TTDE UNI 5732 6X16 ZB	5,00			--



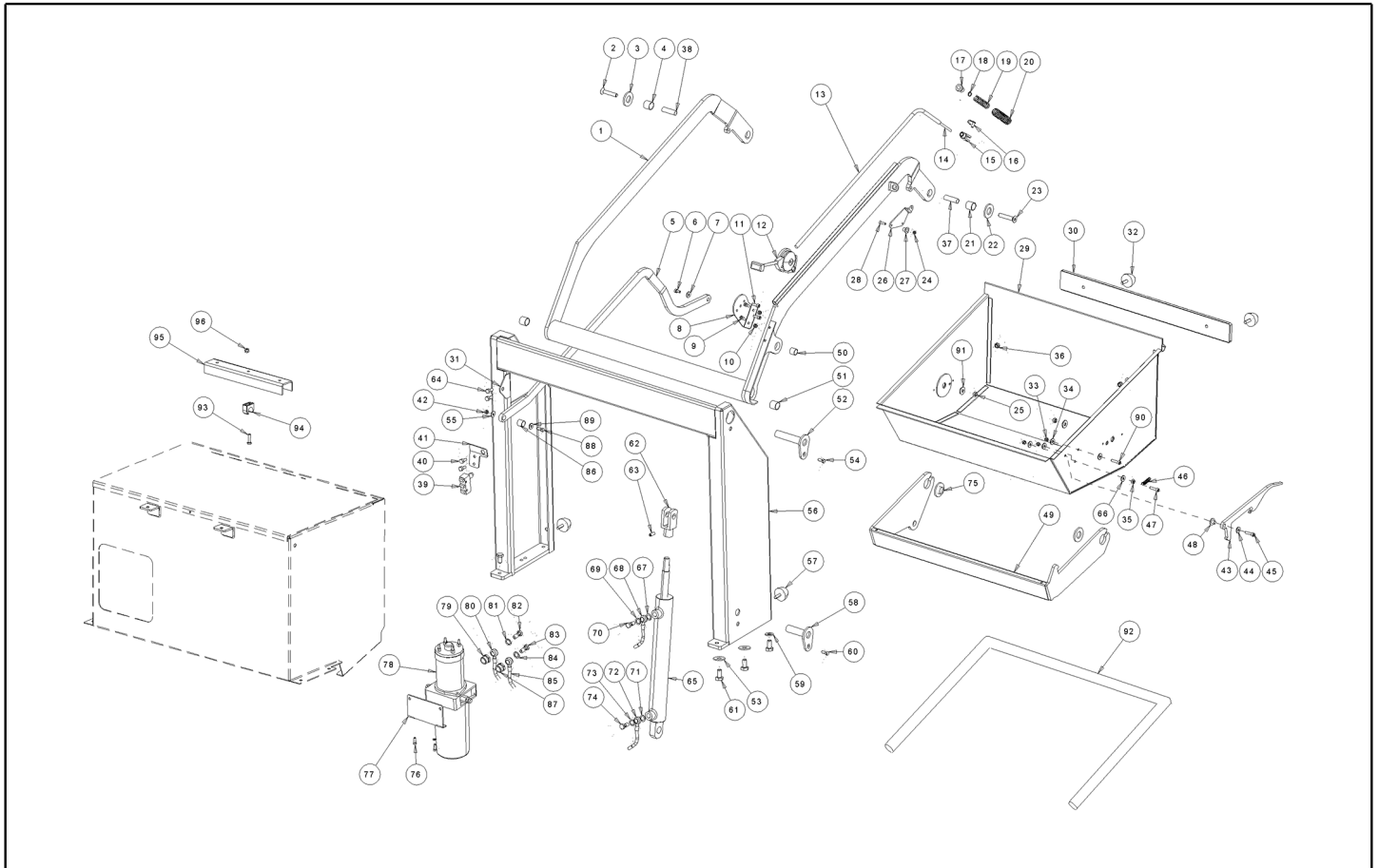
Ref. K	Part n.	Part n. 2	Description	Quantity	Validity		Price
					From	To	
0045	VTRS00503		WASHER D. 6 UNI 6798	4,00			--
0046	VTDD00491		NUT M 6 TEF	4,00			--
0047	MPVR75934		FLAP REAR TK1000	1,00			--
0048	VTVT75721		SCREW TTDE UNI 5732 6X16 ZB	5,00			--
0049	VTDD00491		NUT M 6 TEF	5,00			--
0050	VTRS00503		WASHER D. 6 UNI 6798	5,00			--
0052	VTDD00482		NUT M 6 ZIN UNI 5588	3,00			--
0053	VTRS00503		WASHER D. 6 UNI 6798	3,00			--
0054	VTDD00491		NUT M 6 TEF	4,00			--
0055	VTRS04026		WASHER D. 6X18X2.38	4,00			--
0056	LAFN06854		SHEET METAL PA. 1450	1,00			--
0057	VTDD00482		NUT M 6 ZIN UNI 5588	3,00			--
0058	VTRS00503		WASHER D. 6 UNI 6798	3,00			--
0059	VEVR00070		IMPELLER SUCTION MOTOR 1250-1450	1,00			--
0060	VTVT00444		SCREW TE 6X20 UNI5739	3,00			--
0061	LAFN06757		SPACER 1450	4,00			--
0062	VTRS04026		WASHER D. 6X18X2.38	4,00			--
0063	VTDD00491		NUT M 6 TEF	4,00			--
0064	VTVT62920		SCREW TE FR 6X16 ZB ZIGRINATE	4,00			--
0065	LAFN08170		ADAPTER TK1000	1,00			--
0066	LAFN36060		FRAME SUPPORT POCKET FILTER	1,00			--
0067	VTVT00447		SCREW TE 8X25 UNI5739	2,00			--
0068	KTRI01998		KIT -	1,00			--
0069	KTRI01997		KIT -	1,00			--



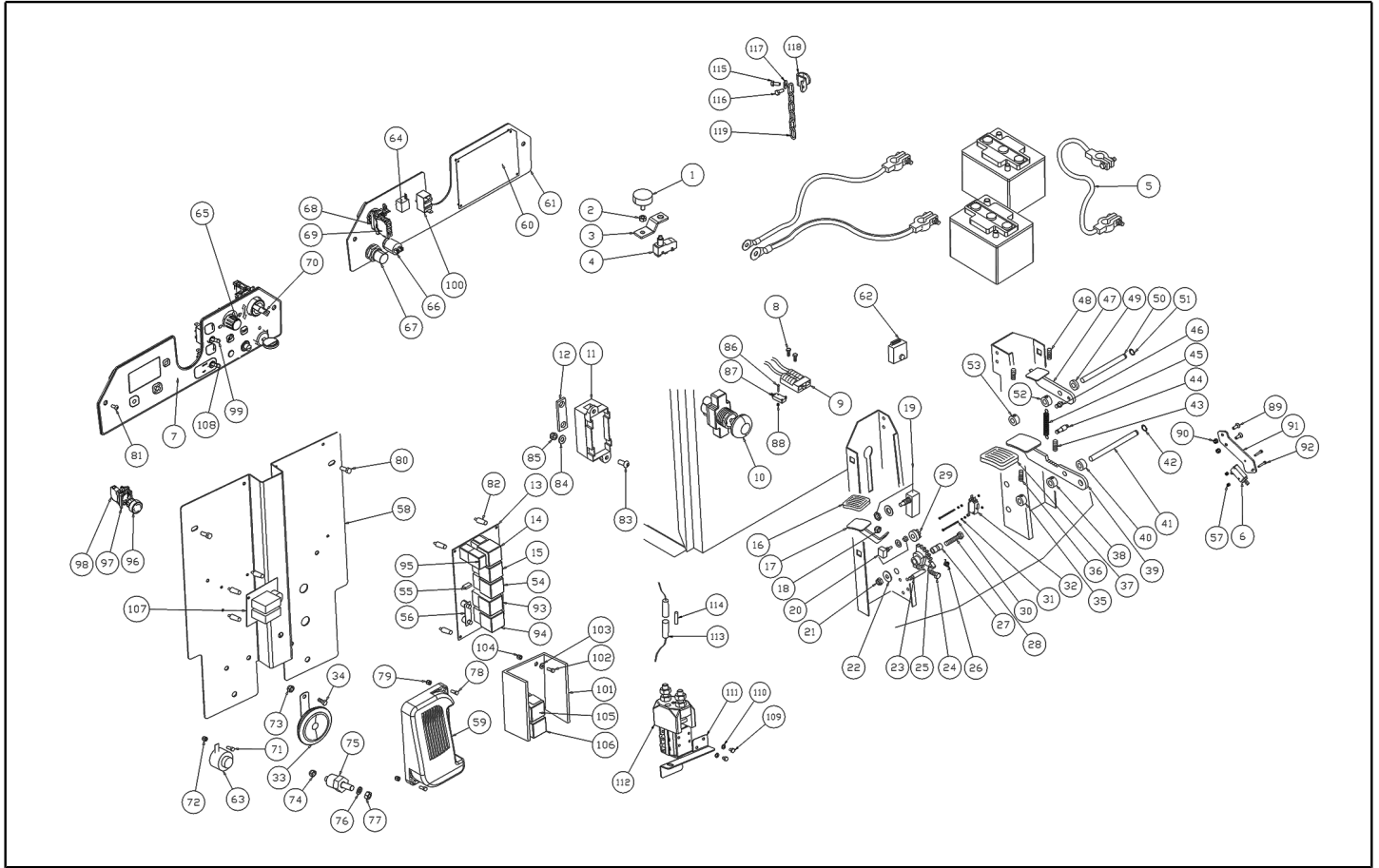
Ref. K	Part n.	Part n. 2	Description	Quantity	Validity		Price
					From	To	
0001	LAFN08188		ARM -	1,00			--
0002	VTVT01577		SCREW TSCE UNI 5933 8X50 ZB	1,00			--
0003	VTRS00506		WASHER D.12 UNI 6592	1,00			--
0004	MPVR00010		BUSHING GLYCODUR GLY.PG 20-23-10F	1,00			--
0005	LAFN00778		ARM PARALLELLOG.DX/SX 1300 ZN	1,00			--
0006	VTVT00678		SCREW	1,00			--
0007	VTRS00505		WASHER D.10 UNI 6592	1,00			--
0008	LAFN00243		COUPLING CAVO SGAN.CASSETTO 1300	1,00			--
0009	VTVT62920		SCREW TE FR 6X16 ZB ZIGRINATE	2,00			--
0010	VTDD00491		NUT M 6 TEF	2,00			--
0012	CMCV00040		LEVER SGANCIO CASSETTO G1300	1,00			--
0013	CMCV00039		SHEATH CASSETTO G1300	1,00		17/01/2016	--
0013	CMCV00452		SHEATH -	1,00	18/01/2016		--
0014	CMCV00038		CABLE CASSETTO G1300	1,00			--
0015	CMCV00006		FORK UNI 1676 M6X24	1,00			--
0016	CMCV00009		CLIP UNI 1676	1,00			--
0017	LAFN00854		CLAMP GUAINA SOLLEV.CASS.G1300	1,00			--
0018	VTAE17003		CIRCLIP ESTERNO DIN 471 D.15	1,00			--
0019	MLML75964		SPRING PORTACEPPO D.11,3X1,5X100	1,00			--
0020	MPVR00071		PROTECTOR X CASSETTO G1300	1,00			--
0021	MPVR00010		BUSHING GLYCODUR GLY.PG 20-23-10F	1,00			--
0022	VTRS00506		WASHER D.12 UNI 6592	1,00			--
0023	VTVT01577		SCREW TSCE UNI 5933 8X50 ZB	1,00			--
0024	VTDD08171		NUT M 5 TEF	1,00			--
0025	VTDD00124		NUT M8 DIN985	2,00			--
0026	LAFN00499		PIN SGANCIO RIBALT.CASS.COMPL	1,00			--
0027	LAFN00131		BUSHING X LEVA ATT.CAVO SGAN.CASS	1,00			--
0028	VTVT00075		SCREW TSCE UNI 5933 5X20 ZB	1,00			--
0029	LAFN08192		DRAWER -	1,00			--
0030	LAFN08199		BALLAST -	1,00			--
0031	LAFN08219		ARM -	1,00			--
0032	ABGO00041		VIBRATION DAMP.	2,00			--
0033	VTDD00491		NUT M 6 TEF	3,00			--
0034	VTRS04026		WASHER D. 6X18X2.38	3,00			--
0035	VTDD00482		NUT M 6 ZIN UNI 5588	1,00			--
0036	VTDD00124		NUT M8 DIN985	2,00			--
0037	LAFN00494		PIN ROTAZIONE CASSETTO TK1300	1,00			--
0038	LAFN00494		PIN ROTAZIONE CASSETTO TK1300	1,00			--
0039	MECI75801		MICROSWITCH A PISTONE (MS/10-Z15GC)	1,00			--
0040	VTVT00527		SCREW TE FR 6X10 ZB ZIG.	2,00			--
0041	LAFN08206		BRACKET -	1,00			--
0042	VTDD00124		NUT M8 DIN985	1,00			--
0043	LAFN41006		LEVER SGANCIO	1,00			--
0044	VTRS04026		WASHER D. 6X18X2.38	1,00			--



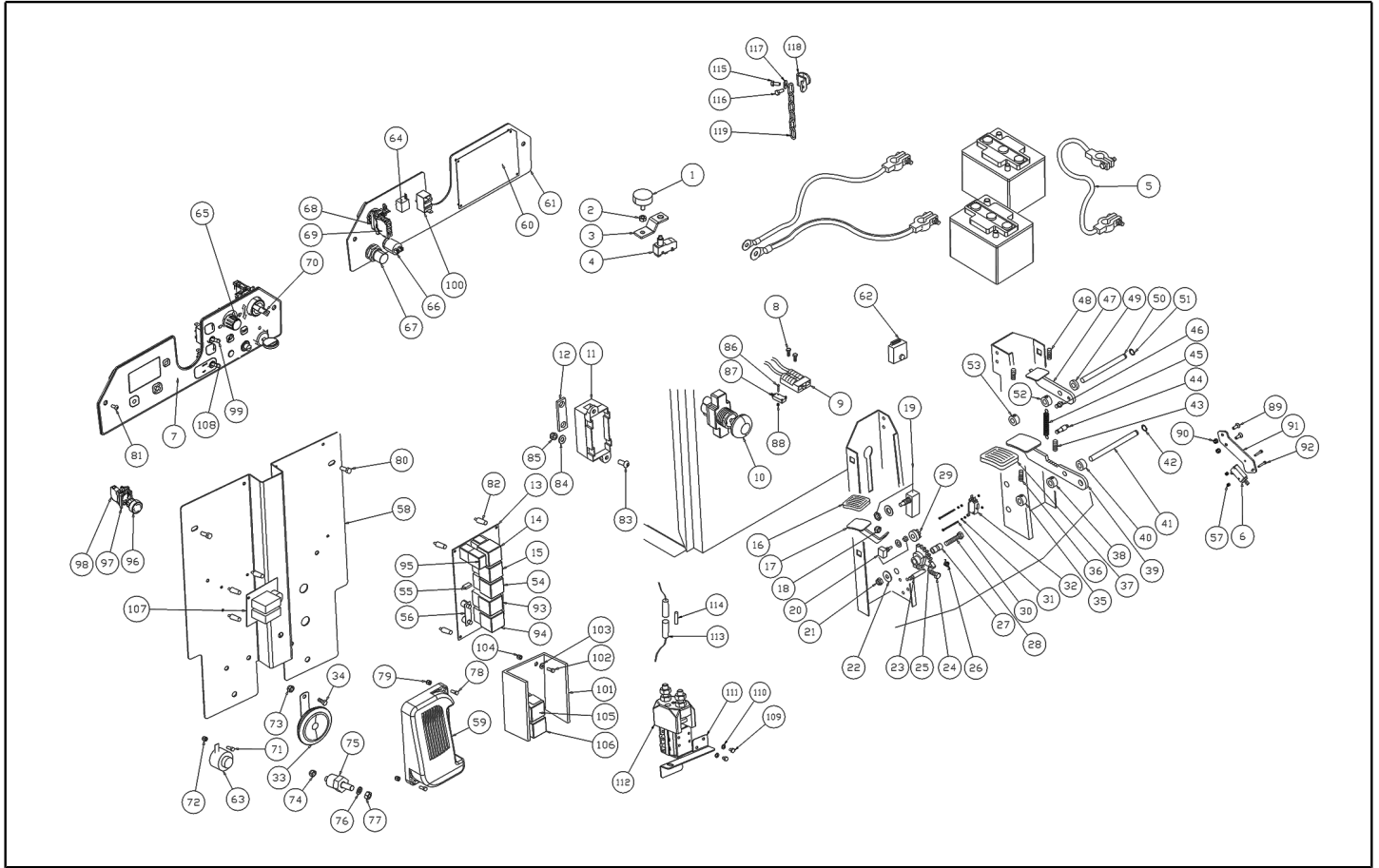
Ref. K	Part n.	Part n. 2	Description	Quantity	Validity		Price
					From	To	
0045	VTVT12255		SCREW TCCE UNI 5931 6X25 ZB	1,00			--
0046	MLML45109		SPRING ALZAFIAP TK1400	1,00			--
0047	VTVT06237		SCREW TCCE UNI 5931 6X20 ZB	1,00			--
0048	LAFN00132		BUSHING X LEVA SGANCIO CASSETTO	1,00			--
0049	LAFN08189		SUPPORT -	1,00			--
0050	MPVR00009		BUSHING GLYCODUR GLY.PG 16-18-15F	1,00			--
0051	MPVR00008		BUSHING GLYCODUR GLY.PG 20-23-20F	2,00			--
0052	LAFN00489		PIN X BRACCIO CASSETTO TK1300	2,00			--
0053	VTRS00514		WASHER UNI 6593 10X30X2,5 ZB	4,00			--
0054	VTVT63129		SCREW TE FR 8X16 ZB ZIGRINATE	2,00			--
0055	VTRS00512		WASHER D. 8 X24 ZC.	1,00			--
0056	LAFN08187		BLOCK -	1,00			--
0057	ABGO00041		VIBRATION DAMP.	2,00			--
0058	LAFN00488		PIN INFERIORE CILIND.TK1300	1,00			--
0059	VTRS00505		WASHER D.10 UNI 6592	2,00			--
0060	VTVT63129		SCREW TE FR 8X16 ZB ZIGRINATE	1,00			--
0061	VTVT00455		SCREW TE 10X20 UNI5739	6,00			--
0062	CMC00004		FORK UNI 1676 M16X1,5 + PERNO	1,00			--
0063	VTVT75731		GRUB SCREW UNI 5923 6X5	1,00			--
0064	VTVT62920		SCREW TE FR 6X16 ZB ZIGRINATE	2,00			--
0065	PIID00001		PISTON SOLLEV.CASS.POST.TK1300	1,00			--
0066	VTRS04026		WASHER D. 6X18X2,38	1,00			--
0067	VTRS00037		WASHER IN DAWTY 1/8	1,00			--
0068	TBAP00251		FLEXIBLE HOSE	1,00			--
0069	VTRS00037		WASHER IN DAWTY 1/8	1,00			--
0070	RCDS47107		SCREW FORATA 1/8"	1,00			--
0071	VTRS00037		WASHER IN DAWTY 1/8	1,00			--
0072	TBAP00250		FLEXIBLE HOSE	1,00			--
0073	VTRS00037		WASHER IN DAWTY 1/8	1,00			--
0074	RCDS47107		SCREW FORATA 1/8"	1,00			--
0075	LAFN41002		BUSHING	2,00			--
0076	VTVT00005		SCREW TE FR 5X12 ZB	2,00			--
0077	LAFN47126		BRACKET PORTA POMPA TK1400 ZICATO	1,00			--
0078	PPEL45108		MOTOR-DRIV.PUMP IDR. 24V L.14	1,00			--
0079	RCVR00081		REDUCTION X CENTRALINA IDRAUL.1400	1,00			--
0080	TBAP00250		FLEXIBLE HOSE	1,00			--
0081	VTRS00037		WASHER IN DAWTY 1/8	1,00			--
0082	RCDS47107		SCREW FORATA 1/8"	1,00			--
0083	RCDS47107		SCREW FORATA 1/8"	1,00			--
0084	VTRS00037		WASHER IN DAWTY 1/8	1,00			--
0085	TBAP00251		FLEXIBLE HOSE	1,00			--
0086	LAFN00500		PIN X BRACCIO PARALLELOG.1300	1,00			--
0087	RCVR00081		REDUCTION X CENTRALINA IDRAUL.1400	1,00			--
0088	VTVT00447		SCREW TE 8X25 UNI5739	1,00			--



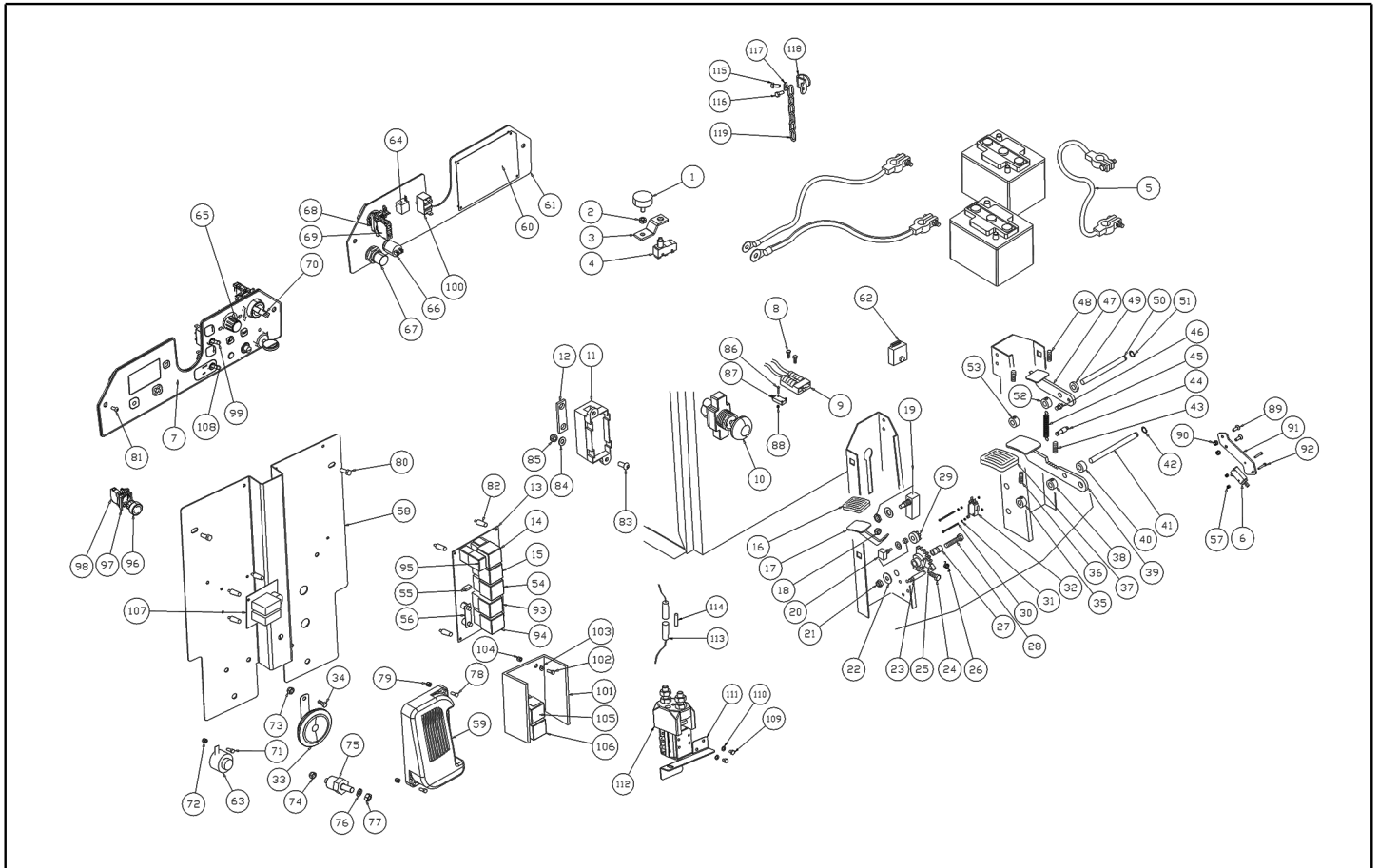
Ref. K	Part n.	Part n. 2	Description	Quantity	Validity		Price
					From	To	
0089	VTRS00512		WASHER D. 8 X24 ZC.	1,00			--
0090	VTVT09913		SCREW TCCE UNI 5931 6X16 ZB	1,00			--
0091	VTRS00512		WASHER D. 8 X24 ZC.	2,00			--
0092	GUVR00010		GASKET	1,80			--
0093	VTVT45339		SCREW TBCE ISO 7380 5X16 ZB	1,00	12/03/2020		--
0094	MPVR12708		CLIP .	1,00	12/03/2020		--
0095	LAFN11500		BRACKET .	1,00	12/03/2020		--
0096	VTDD08171		NUT M 5 TEF	1,00	12/03/2020		--



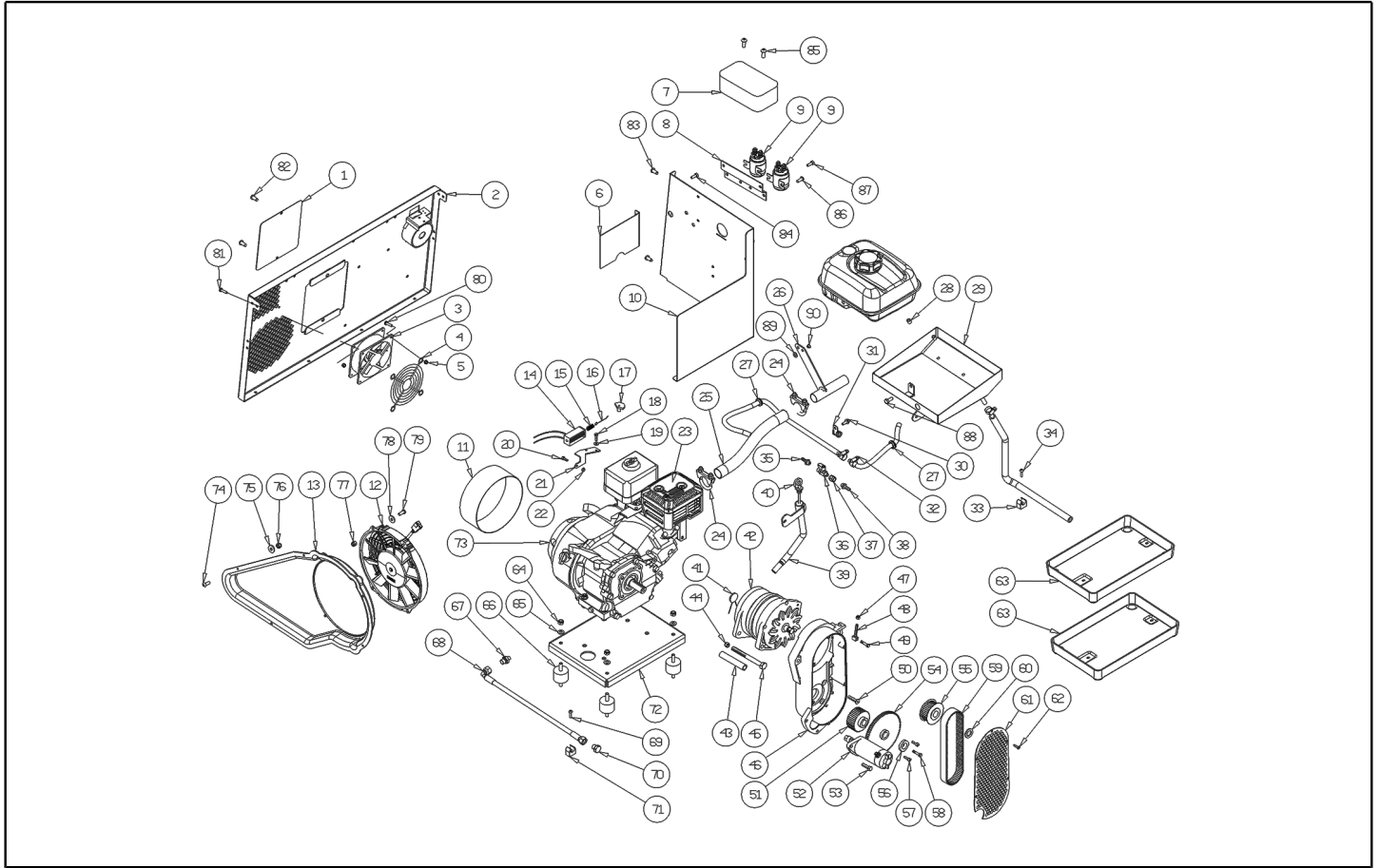
Ref. K	Part n.	Part n. 2	Description	Quantity	Validity		Price
					From	To	
0001	ABGO00026		VIBRATION DAMP.	2,00			--
0002	VTDD10776		NUT M 8 X1 UNI 5588	4,00			--
0003	LAFN07862		BRACKET -	1,00			--
0004	MECI75801		MICROSWITCH A PISTONE (MS/10-Z15GC)	1,00			--
0005	MEVR34820		WIRING BATTERY BRIDGE W/TERMINAL	3,00			--
0006	MECI00114		MICROSWITCH	1,00			--
0007	ETET01798		LABEL -	1,00			--
0008	VTVT19236		SCREW TCCE UNI 5931 5X20 ZB	2,00		27/02/2019	--
0008	VTVT00339		SCREW TCEI M5X20	2,00	28/02/2019		--
0009	MEVR01079		PLUG M CB50 A 600V RD.	1,00			--
0010	MECI00571		BUTTON EMERGENCY BL.SB 1250	1,00			--
0011	MEVR00146		FUSE-HOLDER MEGA	1,00			--
0012	MEVR00145		FUSE 100A	1,00			--
0013	MECE00592		BOARD POWER SERVICE 1250-1280	1,00			--
0014	MECE00201		RELAIS 24V 10-20 A	1,00			--
0015	MECE00201		RELAIS 24V 10-20 A	1,00			--
0016	MPVR85654		PEDAL COVER PICCOLO V1020	1,00			--
0017	LAFN08220		PEDAL -	1,00			--
0018	VTDD00124		NUT M8 DIN985	1,00			--
0019	MECI75801		MICROSWITCH A PISTONE (MS/10-Z15GC)	2,00			--
0020	KTRI02289		KIT 1250-80	1,00			--
0021	VTDD00124		NUT M8 DIN985	1,00			--
0022	VTRS00504		WASHER D. 8 ZC. UNI 6592	1,00			--
0023	LAFN75969		PIN SOSTEGNO CINGHI D.9 H.33	1,00			--
0024	VTVT01688		SCREW TBEI M 8X 30 ISO 7380 IX	1,00			--
0025	MTIG85317		GEAR ACCELERATORE TK1000	1,00			--
0026	MLML85997		SPRING A TORSIONE D.2 TK1000Egz	1,00			--
0027	LAFN47084		BUSHING ACCELERATORE TK 1000	1,00			--
0028	VTVT00017		SCREW TE UNI 5739 8X35 ZB	1,00			--
0029	MTIG85318		GEAR POTENZIOMETRO ACCEL.1000E	1,00			--
0030	VTVT00021		SCREW TE UNI 5739 3X25 ZB	2,00			--
0031	VTDD00001		NUT UNI 5588 M3 ZB	4,00			--
0032	MECI30642		MICRO-SWITCH 11A 0.33HP	1,00			--
0033	MEVR33430		KLAXON K100/Y 1A 24V	1,00		11/10/2015	--
0033	MEVR02112		HORN 24V	1,00	12/10/2015		--
0034	VTVT00527		SCREW TE FR 6X10 ZB ZIG.	1,00			--
0035	LAFN47030		BUSHING FISS.PEDALE FRENO FORATA	1,00			--
0036	VTVT75731		GRUB SCREW UNI 5923 6X5	1,00			--
0037	MPVR45096		PEDAL COVER GRANDE V1021	1,00			--
0038	LAFN47030		BUSHING FISS.PEDALE FRENO FORATA	1,00			--
0039	LAFN09344		PEDAL -	1,00			--
0040	LAFN47019		BUSHING FISSAGGIO PEDALE FRENO	1,00			--
0041	LAFN47036		PIN FISS.PEDALE FRENO+ALZAFI.	1,00			--
0042	VTAE87276		SEEGER EXT. D10 DIN471	1,00			--



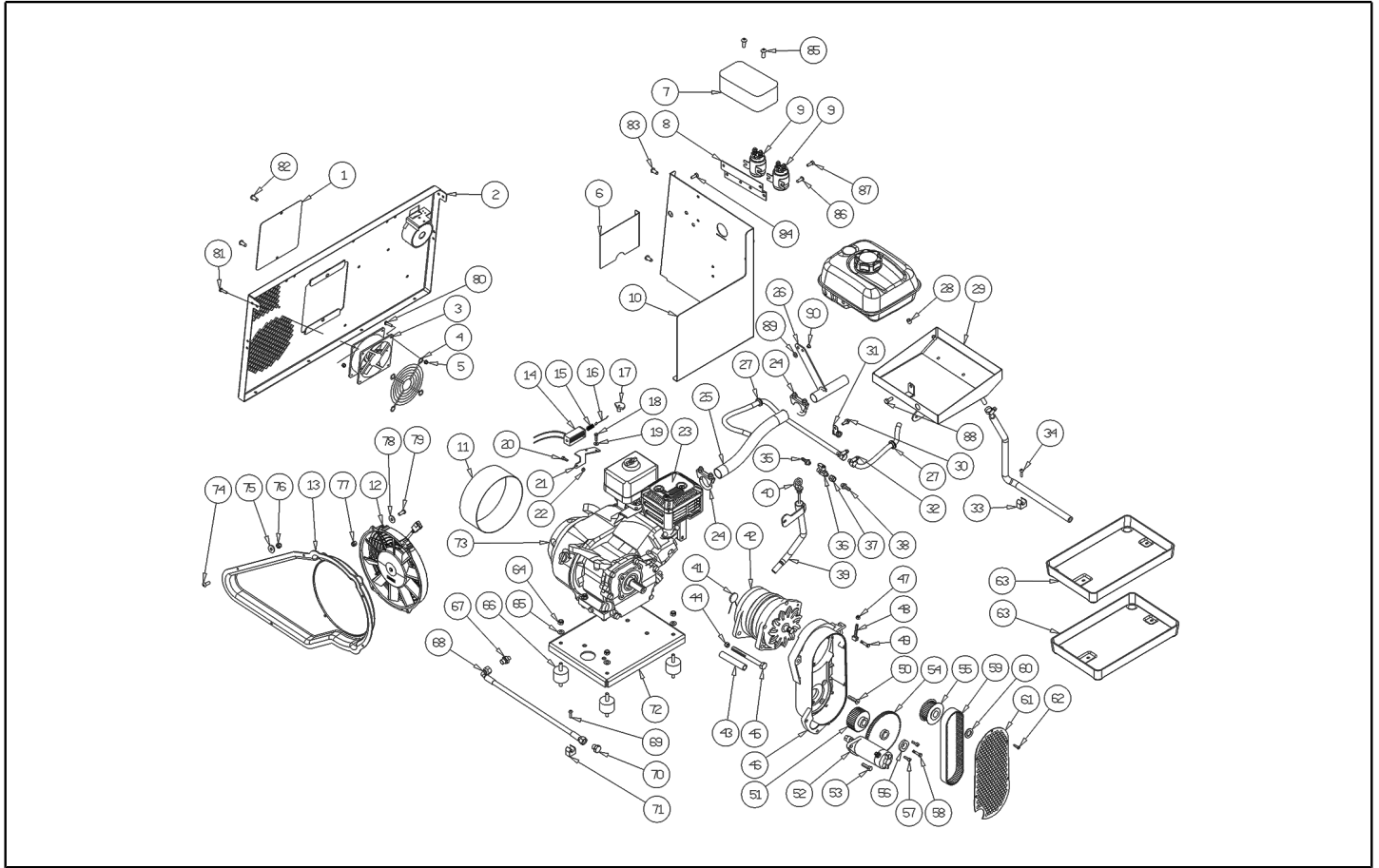
Ref. K	Part n.	Part n. 2	Description	Quantity	Validity		Price
					From	To	
0043	VTVT75731		GRUB SCREW UNI 5923 6X5	1,00			--
0044	LAFN47035		PIN CH.10 H.26 ATTACCO MOLLA	1,00			--
0045	MLML75960		SPRING TRAZIONE TK D.8X1X29 ZB	1,00			--
0046	LAFN47029		PIN CH.10 H.16 ATTACCO MOLLA	1,00			--
0047	LAFN47032		PEDAL BLOCCO FRENO TK1000 ZINC	1,00			--
0048	VTVT75731		GRUB SCREW UNI 5923 6X5	1,00			--
0049	LAFN47033		BUSHING FISSAGGIO PERNO PEDALI	1,00			--
0050	LAFN47031		PIN PEDALE BLOCCO FRENO 1000	1,00			--
0051	VTAE87276		SEEGER EXT. D10 DIN471	1,00			--
0052	LAFN47030		BUSHING FISS.PEDALE FRENO FORATA	1,00			--
0053	LAFN47030		BUSHING FISS.PEDALE FRENO FORATA	1,00			--
0054	MECE00201		RELAIS 24V 10-20 A	1,00			--
0055	MEVR01136		FUSE 30A	1,00			--
0056	MEVR02060		FUSE 40A	1,00			--
0057	VTDD21115		NUT M 3 INOX	2,00			--
0058	LAFN08202		PLATE -	1,00			--
0059	MECE00601		BOARD 1250-1280	1,00			--
0060	MECE00591		BOARD LOGIC 1250-1280	1,00			--
0061	LAFN08204		SUPPORT METAL DASHBOARD 1250	1,00			--
0062	MEVR02017		BEEPER FLASHER FOR BEACON 24V	1,00			--
0063	MECE00182		BUZZER	1,00			--
0064	KTRI05576		KIT POTENTIOMETER SPEED CONTR	1,00			--
0065	KTRI01935		KIT 1050-1202	1,00			--
0066	MEVR85330		BUTTON -	1,00			--
0067	MECI75805		SWITCH KEY FOR BATTERY MACHINES	1,00			--
0068	MECI00520		SMALL BASKET FIX TO FIX CONTACT	1,00			--
0069	MECI00518		CONTACT NC	1,00			--
0070	MECI00572		SELECTOR -	1,00			--
0071	VTVT00311		SCREW TE M4X12	1,00			--
0072	VTDD04368		NUT M 4 ZIN UNI 5588	1,00			--
0073	VTDD00491		NUT M 6 TEF	1,00			--
0074	VTDD00124		NUT M8 DIN985	2,00			--
0075	MEVR01116		SUPPORT FUSIBILE 120 A	2,00			--
0076	VTRS01080		WASHER D. 8 GRW	2,00			--
0077	VTDD00483		NUT M 8 ZIN UNI 5588	2,00			--
0078	VTVT01529		SCREW TE M4X20 ZINC. UNI 5739	2,00			--
0079	VTDD04369		NUT M 4 TEF UNI 7473	2,00			--
0080	VTVT00527		SCREW TE FR 6X10 ZB ZIG.	3,00			--
0081	VTVT00659		SCREW TC+ M. 4-15	8,00			--
0082	MEVR01708		COLUMN -	4,00			--
0083	VTVT75726		SCREW TBCE ISO 7380 6X16 ZB	2,00			--
0084	VTRS00503		WASHER D. 6 UNI 6798	2,00			--
0085	VTDD00491		NUT M 6 TEF	2,00			--
0086	VTVT01170		SCREW TC 2X16	2,00			--



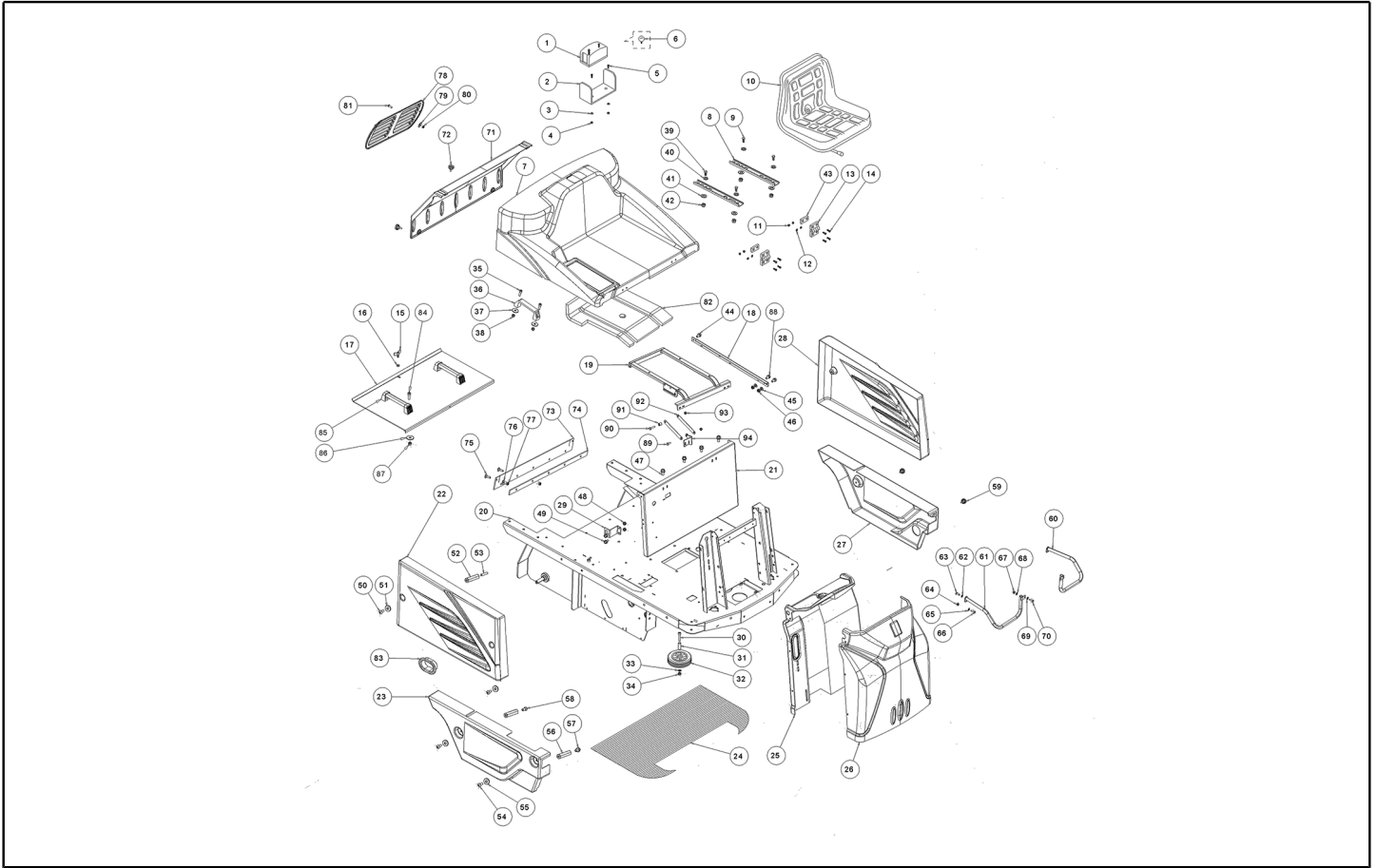
Ref. K	Part n.	Part n. 2	Description	Quantity	Validity		Price
					From	To	
0087	MERL00018		MICROSWITCH	1,00			--
0088	VTDD00213		NUT M2	2,00			--
0089	VTVT16939		SCREW M 4X 16 TSPEI UNI 5933	2,00			--
0090	VTDD04369		NUT M 4 TEF UNI 7473	2,00			--
0091	LAFN09383		BRACKET -	1,00			--
0092	VTVT01350		SCREW M3-20 INOX	2,00			--
0093	MERL00016		SWITCH RELAY 24V	1,00			--
0094	MERL00016		SWITCH RELAY 24V	1,00			--
0095	MECE00456		RELAY CT110	1,00			--
0096	MECI00523		BUTTON WHITE	1,00			--
0097	MECI00520		SMALL BASKET FIX TO FIX CONTACT	1,00			--
0098	MECI00517		CONTACT NO 3-4	1,00			--
0099	MEVR01975		RUBBER DEVIATORE	1,00			--
0100	MECI00573		SELECTOR -	1,00			--
0101	MECE00596		BOARD 1280	1,00			--
0102	VTVT00003		SCREW TE M 4X 12 ZC. UNI 5739	2,00			--
0103	VTRS00501		WASHER D. 4 0.232 UNI 6592	2,00			--
0104	VTDD04369		NUT M 4 TEF UNI 7473	2,00			--
0105	MERL00012		SWITCH RELAY 12V	1,00			--
0106	MERL00012		SWITCH RELAY 12V	1,00			--
0107	MECE45124		PCB RELE TK1400	1,00			--
0108	MECI75945		COMMUTAT.SWITCH 3 POSIZ.FUNZ.MACCH.+CAPP	1,00			--
0109	VTVT01669		SCREW M4x6 UNI5739 znt cl.4.8	2,00	12/10/2015		--
0110	VTRS00501		WASHER D. 4 0.232 UNI 6592	2,00	12/10/2015		--
0111	LAFN09488		PLATE	1,00	12/10/2015		--
0112	MECI00532		CONTACTOR 24V-100A	1,00	12/10/2015		--
0113	MEVR00080		FUSE-HOLDER PV610 10A	1,00	12/10/2015		--
0114	MEVR00072		FUSE 2.5A F6.3X32-100/110V	1,00	12/10/2015		--
0115	VTVT34115		SCREW TE M 5X 10 UNI 5739	1,00	12/10/2015		--
0116	VTVT00005		SCREW TE FR 5X12 ZB	1,00	12/10/2015		--
0117	VTRS15958		WASHER UNI 6592 5X15X1,5 ZB	1,00	12/10/2015		--
0118	LAFN07380		BRACKET G1050	1,00	12/10/2015		--
0119	MTCR00029		SMALL CHAIN	0,17	12/10/2015		--



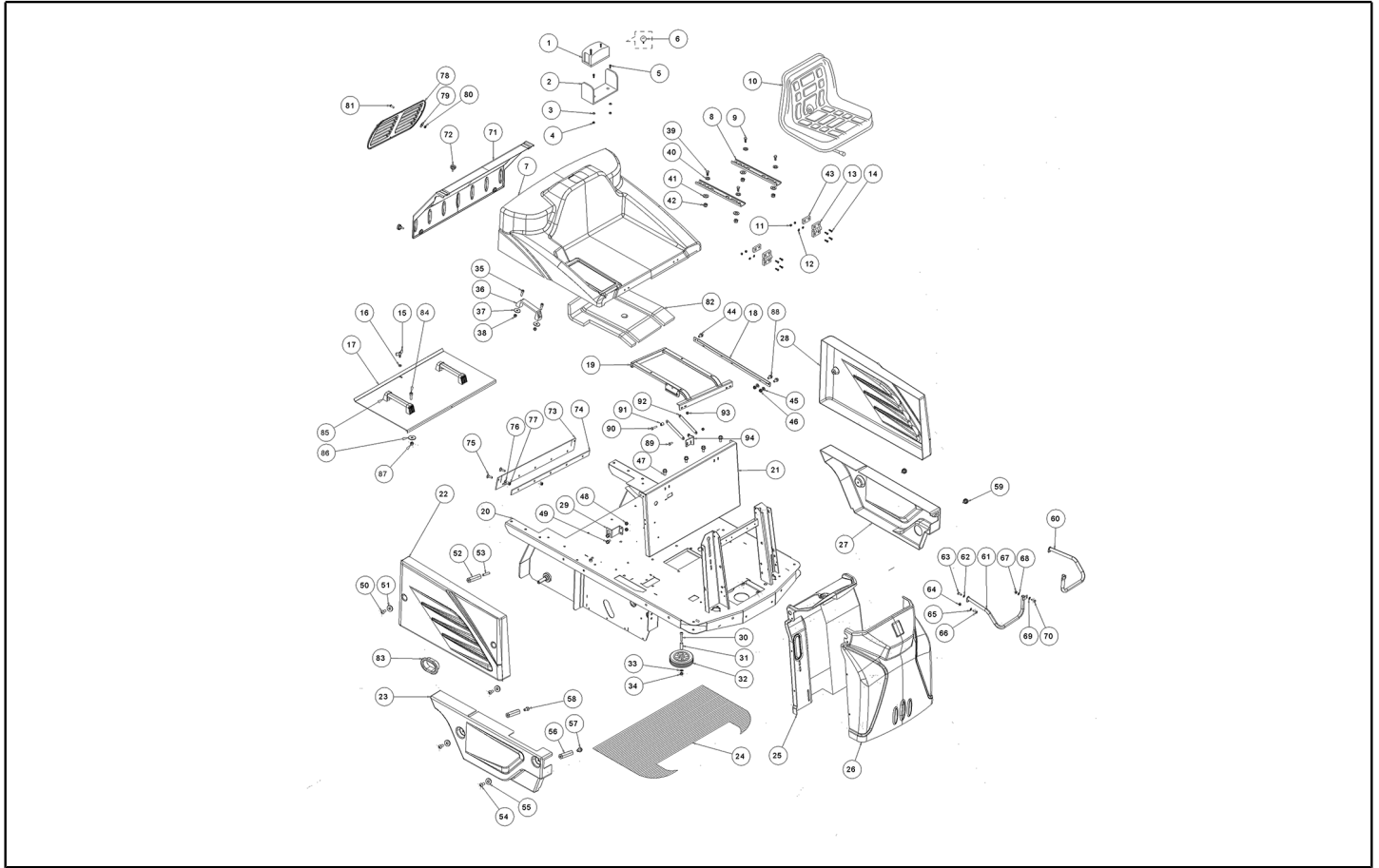
Ref. K	Part n.	Part n. 2	Description	Quantity	Validity		Price
					From	To	
0001	LAFN08122		BULKWARD -	1,00			--
0002	LAFN08179		PANEL -	1,00			--
0003	VEVR45113		IMPELLER 24V KDE 2412-PMS1 6A	1,00			--
0004	LAFN00009		BRACKET PROTEZIONE	1,00			--
0006	LAFN08125		BULKWARD -	1,00			--
0007	MPVR47166		CRANKCASE PROTEZIONE TELERUT.TK1400	1,00			--
0008	LAFN47167		BRACKET PORTA TELERUT.TK1400 ZINC	1,00			--
0009	METT45116		CONTACTOR T106P 24V 100%	2,00			--
0010	LAFN08123		SPACER -	1,00			--
0011	GUVR45977		GASKET CONV.ARIA 1400/1300/1400	1,00			--
0012	VEVR00078		IMPELLER -	1,00			--
0013	MPVR06411		CONVEYOR -	1,00			--
0014	MEVR02100		SOLENOID RS 349-715	1,00			--
0015	MLML00348		SPRING -	1,00			--
0016	MEVR45118		CONNECTING ROD X SOLENOIDE TK1400	1,00			--
0017	MEVR45117		ROKER SOLENOIDE ARIA MOTORE	1,00			--
0018	VTVT10068		SCREW TCTC UNI 7687 3X5 ZB	1,00			--
0019	VTRS27296		WASHER GROWER 3 ZNT	1,00			--
0020	VTVT00107		SCREW TCTC UNI 7687 3X12 ZB	1,00			--
0021	LAFN47155		BRACKET PORTA SOLENOIDE	1,00			--
0022	VTDD00001		NUT UNI 5588 M3 ZB	1,00			--
0023	MRSC00092		SILENCER -	1,00			--
0024	LAFN02858		CLAMP D.32	2,00			--
0025	TBFX00057		FLEXIBLE HOSE	0,38			--
0026	LAFN08128		HOSE -	1,00			--
0027	MEVR00686		FAIR-LEAD DIAMETER 15.5	2,00			--
0028	LAFN47095		SPACER D.6X10X8 ZINCATO	2,00			--
0029	LAFN08126		BRACKET -	1,00			--
0031	FSVR00005		CLAMP TIPO "ECO"FORO MM8 D.1 W0	2,00			--
0032	FSVR19692		CLAMP D. 11-16 VT	2,00			--
0033	FSVR00024		HOSE COLLAR	1,00			--
0035	RCVR00004		CONNECTOR PORTAGOMMA 1/8" D.7	1,00			--
0036	RCGR00008		VALVE SOLUTION M/F 1/8"	1,00			--
0037	RCVR00019		SLEEVE 1/8"	1,00			--
0038	RCVR00004		CONNECTOR PORTAGOMMA 1/8" D.7	1,00			--
0039	LAFN08129		HOSE -	1,00			--
0040	TBBP00383		ROD LIVELLO OLIO	1,00			--
0041	METK47170		PROBE F11-140° NC	1,00			--
0042	ARGN00004		ALTERNATOR 28V-80A	1,00			--
0043	LAFN47157		SPACER X ALTERNATORE X 1400 DP	1,00			--
0044	VTDD00042		NUT AUT.M10 UNI7474	1,00			--
0045	VTVT16260		SCREW TE UNI 5737 10X160 ZB	1,00			--
0046	MFVR47154		SUPPORT MOTORINO TK1400 DP	1,00			--
0047	VTDD00491		NUT M 6 TEF	1,00			--



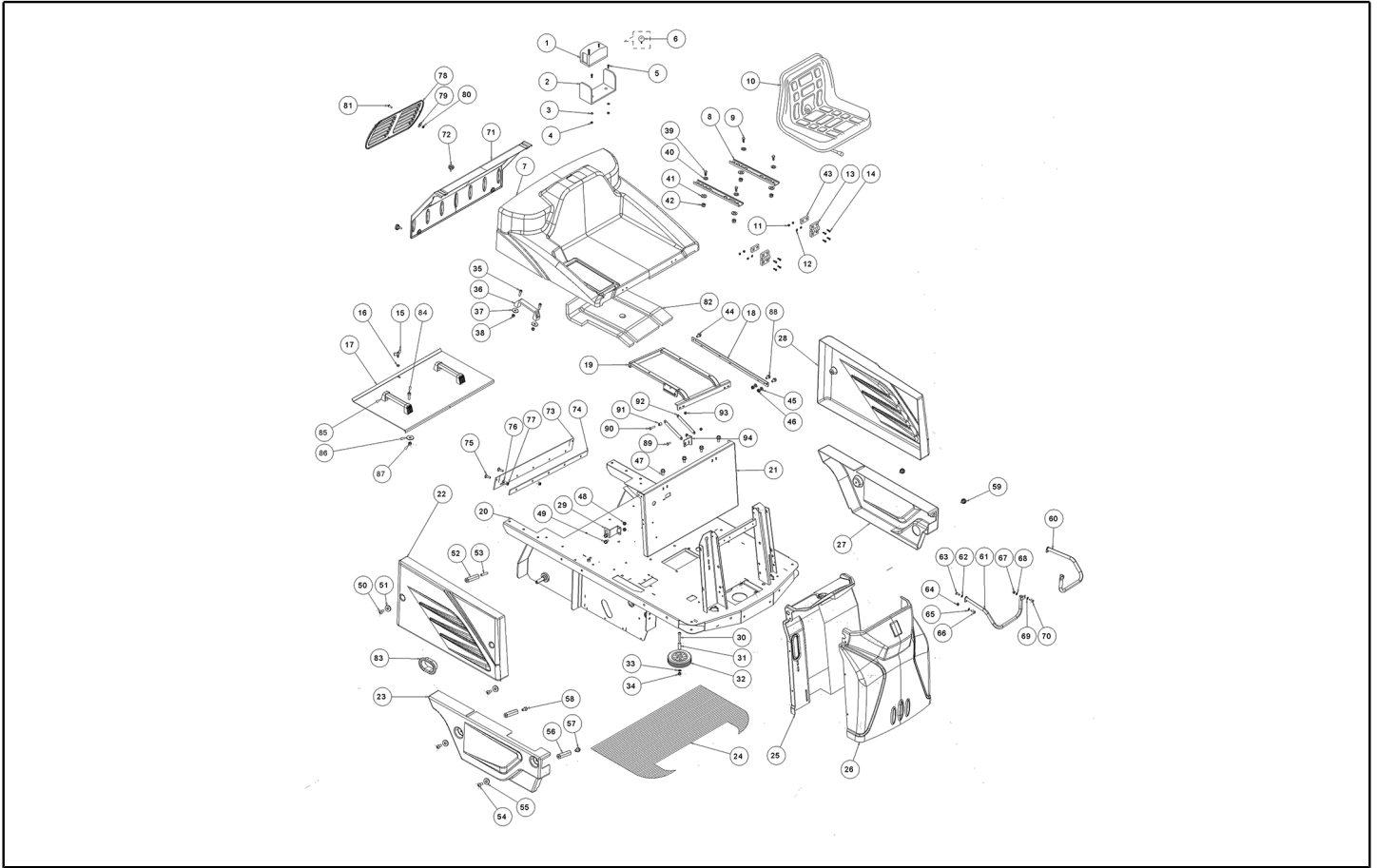
Ref. K	Part n.	Part n. 2	Description	Quantity	Validity		Price
					From	To	
0048	LAFN47168		BELT-STRETCHER ALTERNATORE TK1400	1,00			--
0049	VTVT28307		SCREW TCCE UNI 5931 10X70 ZN	1,00			--
0050	VTVT63134		SCREW M 8X25 TSPEI ZC UNI 5933	4,00			--
0051	MTPL45323		PULLEY MOT.HONDA 44-RPP5-25 1400	1,00			--
0052	MOCC45115		MOTOR 24V 300W SX	1,00			--
0053	VTVT01119		SCREW TCCE UNI 5931 8X30 ZB	1,00			--
0054	MTCR45720		TOOTHED WHEEL Z. 80 P 1.75	1,00			--
0055	MTPL45322		PULLEY ALTERN.40-RPP5-25	1,00			--
0056	LAFN06832		WASHER BLOCCA INGRANAGGIO	1,00			--
0057	VTVT00066		SCREW TCCE UNI 5931 8X25 ZB	2,00			--
0058	VTVT00448		SCREW TE 8X30 UNI5739	1,00			--
0059	MTCG44555		BELT DENTATA DAYCO/ISORAN	1,00			--
0060	LAFN00271		NUT FISSA PULEGGIA ALTERNA.	1,00			--
0061	LAFN47152		BRACKET PROTEZIONE	1,00			--
0062	VTVT00005		SCREW TE FR 5X12 ZB	5,00			--
0063	LAFN87156		CONTAINER BATTERY	2,00			--
0064	VTDD00124		NUT M8 DIN985	4,00			--
0065	VTRS00504		WASHER D. 8 ZC. UNI 6592	4,00			--
0066	ABGO00009		VIBRATION DAMP. MM 40X30 8MAX25	4,00			--
0067	RCDS47173		NIPPLE 1/4 -M10X1.25	1,00			--
0068	TBBP00514		TUBE -	1,00			--
0070	RCDS00002		CAP 1/4" X IMPIANTO IDRAULICO	1,00			--
0071	FSVR00024		HOSE COLLAR	1,00			--
0072	LAFN08184		PLATE -	1,00			--
0073	MOSC47149		MOTOR HONDA GX200-SX-4-OH	1,00			--
0074	VTVT75726		SCREW TBCE ISO 7380 6X16 ZB	5,00			--
0075	VTRS04026		WASHER D. 6X18X2.38	5,00			--
0076	VTDD00491		NUT M 6 TEF	5,00			--
0077	VTDD00491		NUT M 6 TEF	4,00			--
0078	VTRS00503		WASHER D. 6 UNI 6798	4,00			--
0079	VTVT75726		SCREW TBCE ISO 7380 6X16 ZB	4,00			--
0080	VTVT15924		SCREW M4X16 UNI7687	4,00			--
0081	VTVT15924		SCREW M4X16 UNI7687	4,00			--
0082	VTVT75726		SCREW TBCE ISO 7380 6X16 ZB	2,00			--
0083	VTVT75726		SCREW TBCE ISO 7380 6X16 ZB	2,00			--
0084	VTVT62920		SCREW TE FR 6X16 ZB ZIGRINATE	2,00			--
0085	VTVT75725		SCREW TBCE ISO 7380 6X10 ZB	2,00			--
0086	VTVT75725		SCREW TBCE ISO 7380 6X10 ZB	2,00			--
0087	VTVT62920		SCREW TE FR 6X16 ZB ZIGRINATE	2,00			--
0088	VTVT00527		SCREW TE FR 6X10 ZB ZIG.	1,00			--
0089	VTRS00274		WASHER NYLON 66 D.8,4-17-2 UNI	2,00	17/12/2015		--
0090	LAFN09413		BUSHING -	2,00	17/12/2015		--



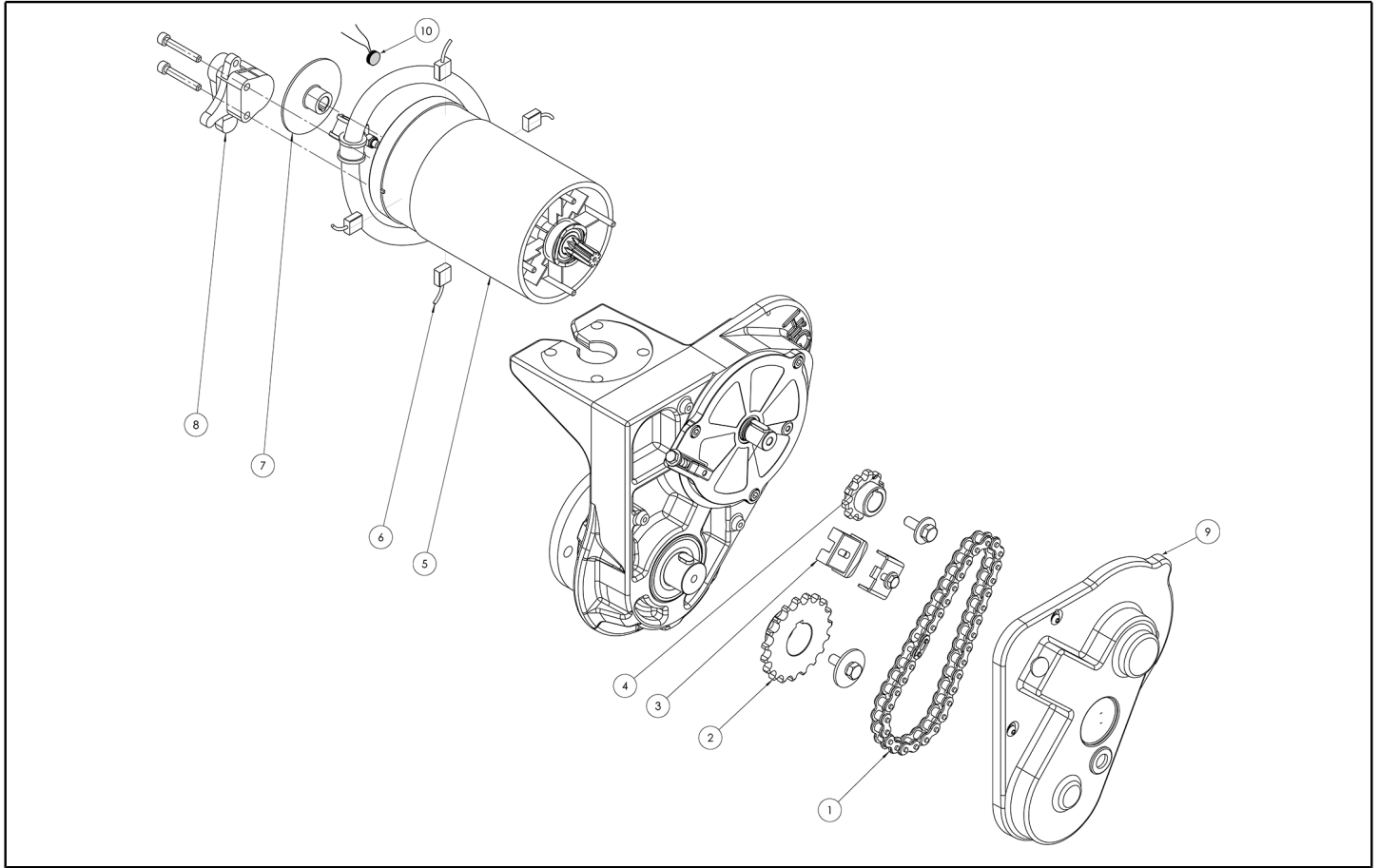
Ref. K	Part n.	Part n. 2	Description	Quantity	Validity		Price
					From	To	
0001	KTRI00103		LAMP FLASH 24V ORANGE	1,00			--
0002	KTRI00103		LAMP FLASH 24V ORANGE	1,00			--
0003	VTRS15958		WASHER UNI 6592 5X15X1,5 ZB	2,00			--
0004	VTDD08171		NUT M 5 TEF	2,00			--
0005	VTVT45339		SCREW TBCE ISO 7380 5X16 ZB	2,00			--
0006	MELF33431		LAMP 24V/21W	1,00			--
0007	MPVR06088		HOOD -	1,00			--
0008	SESD45981		SEAT SC73 01.01.M4 PER TK1400	1,00		04/10/2018	--
0008	SESD45982		SEAT SC 73 L.14 SENSOR REED	1,00	05/10/2018		--
0009	VTVT00017		SCREW TE UNI 5739 8X35 ZB	4,00			--
0010	SESD45981		SEAT SC73 01.01.M4 PER TK1400	1,00			--
0011	VTDD00491		NUT M 6 TEF	4,00			--
0012	VTRS00503		WASHER D. 6 UNI 6798	4,00			--
0013	CEVR85332		HINGE MEB F D.6 TK	2,00			--
0014	VTVT06237		SCREW TCCE UNI 5931 6X20 ZB	4,00			--
0015	VTVR00044		WING NUT D.30 M6X20	1,00			--
0016	VTRS63242		WASHER UNI 6593 6X24X2 ZB	1,00			--
0017	LAFN85308		COVER SCATOLA FILTRO TK1000 NER	1,00			--
0018	LAFN08190		SHEET METAL PA. -	1,00			--
0019	LAFN08178		SUPPORT -	1,00			--
0020	LAFN36061		FRAME 1250-1280	1,00			--
0021	LAFN08179		PANEL -	1,00			--
0022	MPVR07160		BODY SIDE DX	1,00			--
0023	MPVR06096		COVERING BOTTOM RH SIDE	1,00			--
0024	MPVR00738		PLANE MILLERIG.1000E CON BIADES	1,00			--
0025	MPVR06094		SIDE PANEL -	1,00			--
0026	MPVR06093		COVERING FRONT 1250-1280 GREEN	1,00			--
0027	MPVR06095		CRANKCASE -	1,00			--
0028	MPVR06126		CONVEYOR SX	1,00			--
0029	LAFN08210		BRACKET -	2,00			--
0030	VTVT28307		SCREW TCCE UNI 5931 10X70 ZN	2,00			--
0031	LAFN47011		BUSHING BU15X10X47 X RUOTA1250056	2,00			--
0032	RTRT00013		WHEEL GOMMA D.125	2,00			--
0033	VTRS00505		WASHER D.10 UNI 6592	2,00			--
0034	VTDD00042		NUT AUT.M10 UNI17474	2,00			--
0035	VTVT00066		SCREW TCCE UNI 5931 8X25 ZB	4,00			--
0036	MPVR00411		HANDLE TRG	2,00			--
0037	VTRS00513		WASHER UNI 6593 8X32X2,5 ZB	4,00			--
0038	VTDD00124		NUT M8 DIN985	4,00			--
0039	VTVT00017		SCREW TE UNI 5739 8X35 ZB	4,00			--
0040	VTRS00504		WASHER D. 8 ZC. UNI 6592	2,00			--
0041	VTRS00512		WASHER D. 8 X24 ZC.	4,00			--
0042	VTDD00124		NUT M8 DIN985	4,00			--
0043	LAFN07909		BRACKET -	2,00			--



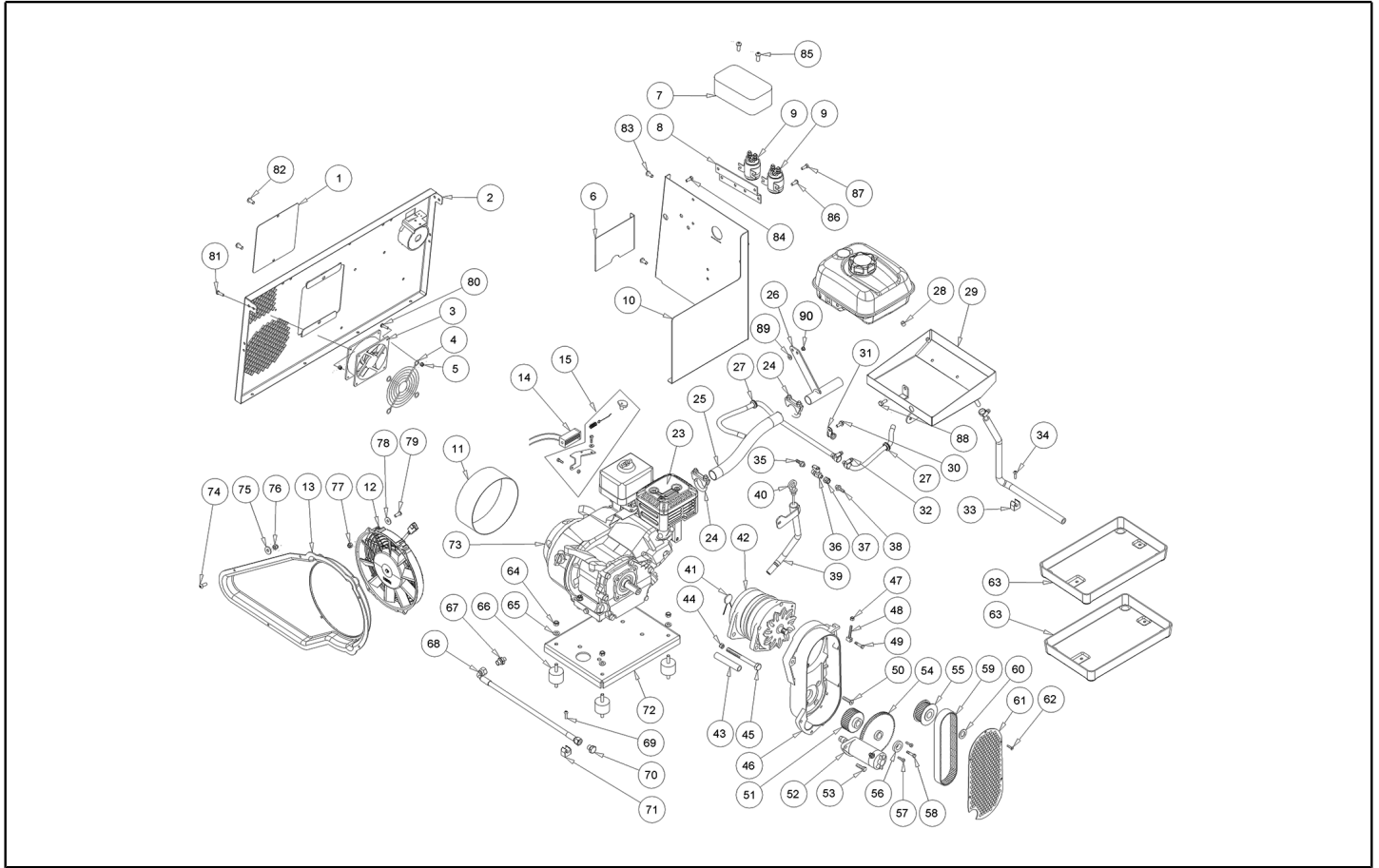
Ref. K	Part n.	Part n. 2	Description	Quantity	Validity		Price
					From	To	
0044	VTVT62920		SCREW TE FR 6X16 ZB ZIGRINATE	1,00			--
0045	VTRS00503		WASHER D. 6 UNI 6798	2,00			--
0046	VTDD00491		NUT M 6 TEF	2,00			--
0047	VTVT62920		SCREW TE FR 6X16 ZB ZIGRINATE	4,00			--
0048	VTDD00491		NUT M 6 TEF	4,00			--
0049	VTVT62920		SCREW TE FR 6X16 ZB ZIGRINATE	4,00			--
0050	VTVT75726		SCREW TBCE ISO 7380 6X16 ZB	4,00			--
0051	VTRS04026		WASHER D. 6X18X2.38	4,00			--
0052	LAFN08211		SPACER -	4,00			--
0053	VTVT00900		GRUB SCREW M 6-30 CON ES	2,00			--
0054	VTVT75726		SCREW TBCE ISO 7380 6X16 ZB	2,00			--
0055	VTRS04026		WASHER D. 6X18X2.38	2,00			--
0056	LAFN08211		SPACER -	2,00			--
0057	VTVT00527		SCREW TE FR 6X10 ZB ZIG.	2,00			--
0058	VTVT13515		SCREW TSPEI M6x16 UNI5933 10.9	2,00			--
0059	RTRT00022		HANDWHEEL D.30 M6X15	2,00			--
0060	LAFN08200		BUMPER LH SIDE 1250	1,00			--
0061	LAFN08201		BUMPER RH SIDE 1250	1,00			--
0062	VTRS00504		WASHER D. 8 ZC. UNI 6592	2,00			--
0063	VTVT00446		SCREW TE UNI 5739 8X20 ACC.8.8	2,00			--
0064	VTDD00124		NUT M8 DIN985	2,00			--
0065	VTRS00504		WASHER D. 8 ZC. UNI 6592	2,00			--
0066	VTVT00446		SCREW TE UNI 5739 8X20 ACC.8.8	1,00			--
0067	VTDD00124		NUT M8 DIN985	2,00			--
0068	VTRS00504		WASHER D. 8 ZC. UNI 6592	2,00			--
0069	VTRS00504		WASHER D. 8 ZC. UNI 6592	2,00			--
0070	VTVT00446		SCREW TE UNI 5739 8X20 ACC.8.8	2,00			--
0071	MPVR06417		COVER -	1,00			--
0072	RTRT00022		HANDWHEEL D.30 M6X15	4,00			--
0073	MPVR06431		FLAP -	1,00	14/10/2014		--
0074	LAFN86529		CLAMP FLAP ANT/POST TK1000 NERO	1,00	14/10/2014		--
0075	VTVT75721		SCREW TTDE UNI 5732 6X16 ZB	7,00	14/10/2014		--
0076	VTRS04026		WASHER D. 6X18X2.38	2,00	14/10/2014		--
0077	VTDD00491		NUT M 6 TEF	7,00	14/10/2014		--
0078	MPVR04916		BRACKET COPERCHIO ASPIRATORI	1,00			--
0079	VTRS04026		WASHER D. 6X18X2.38	4,00			--
0080	VTDD00491		NUT M 6 TEF	4,00			--
0081	VTVT75726		SCREW TBCE ISO 7380 6X16 ZB	4,00			--
0082	ITSO00074		INSULATOR -	1,00			--
0083	MPVR04698		FRAME FORO	1,00			--
0084	VTVT00066		SCREW TCCE UNI 5931 8X25 ZB	4,00	20/03/2015		--
0085	MPVR00411		HANDLE TRG	2,00	20/03/2015		--
0086	VTRS00513		WASHER UNI 6593 8X32X2,5 ZB	4,00	20/03/2015		--
0087	VTDD00124		NUT M8 DIN985	4,00	20/03/2015		--



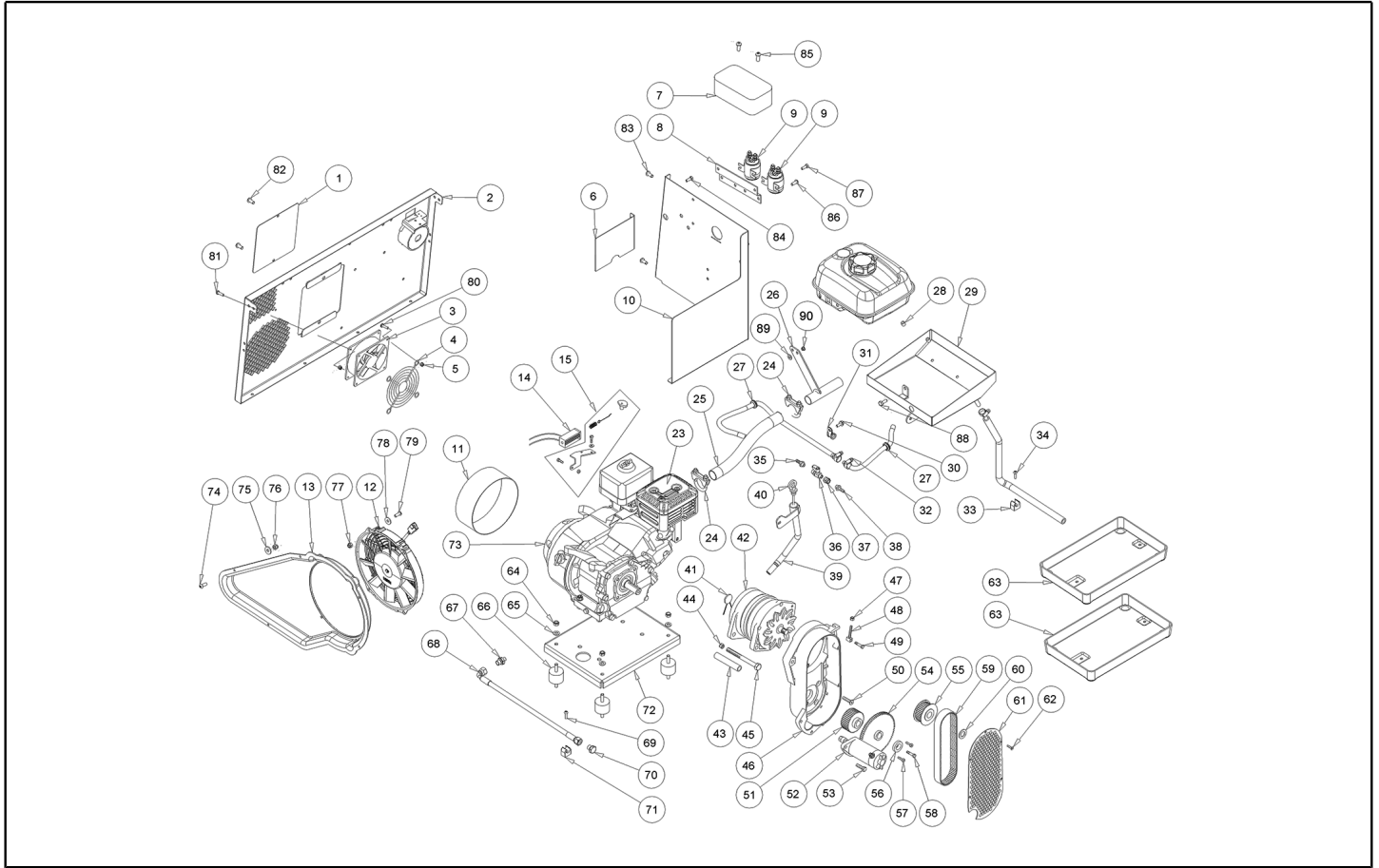
Ref. K	Part n.	Part n. 2	Description	Quantity	Validity		Price
					From	To	
0088	VTVT00527		SCREW TE FR 6X10 ZB ZIG.	2,00			--
0089	VTVT00446		SCREW TE UNI 5739 8X20 ACC.8.8	1,00	18/02/2020		--
0090	VTVT00017		SCREW TE UNI 5739 8X35 ZB	1,00	18/02/2020		--
0091	LAFN04042		SPACER D8.5-15	1,00	18/02/2020		--
0092	LAFN11499		BRACKET HOOD 838R-858R	2,00	18/02/2020		--
0093	VTDD00124		NUT M8 DIN985	2,00	18/02/2020		--
0094	LAFN11498		BRACKET HOOD 838R-858R	1,00	18/02/2020		--



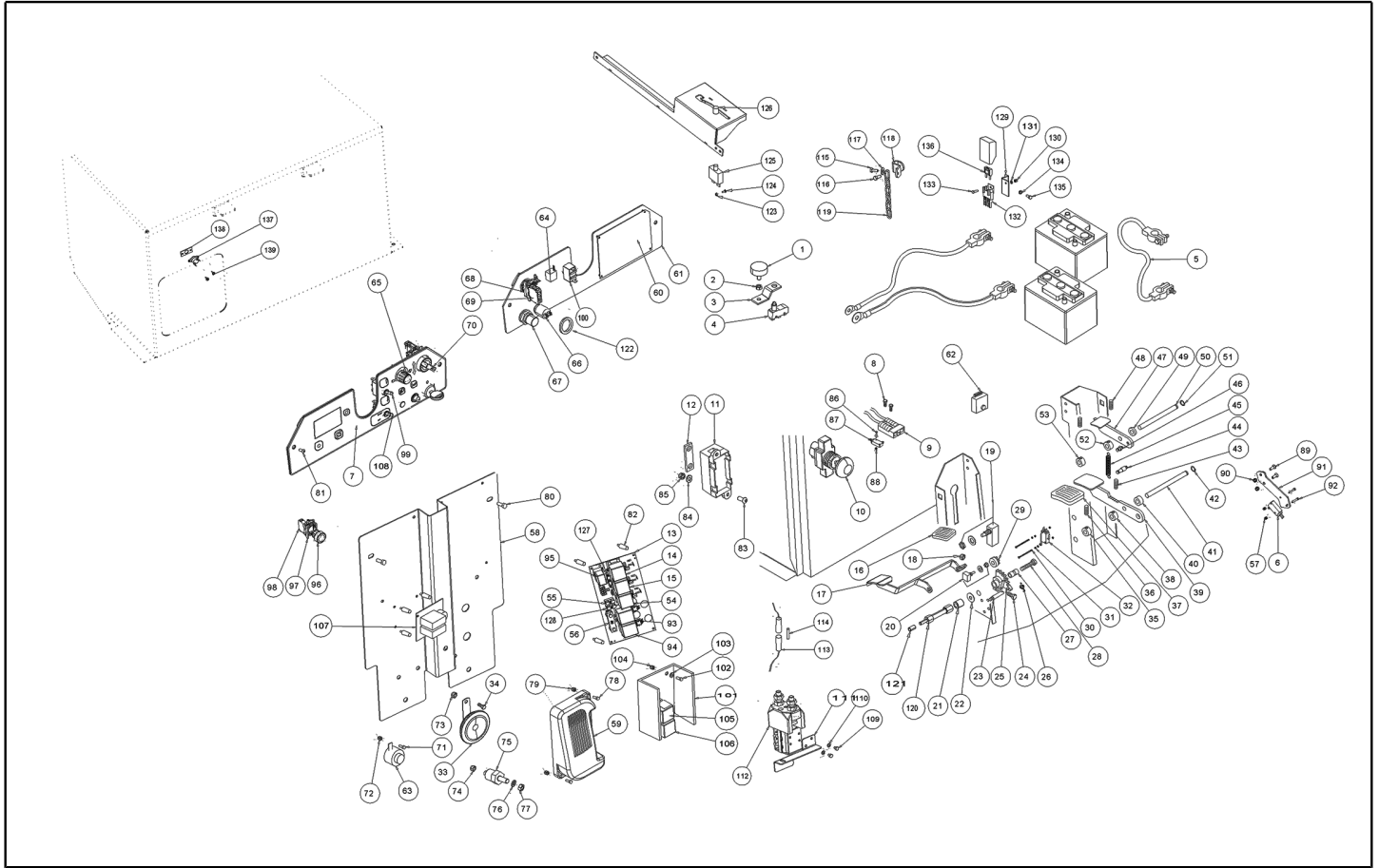
Ref. K	Part n.	Part n. 2	Description	Quantity	Validity		Price
					From	To	
0001	MTCR00104		CHAIN -	1,00			--
0002	MTIG00130		PINION 1/2"x5/16" Z19	1,00			--
0003	LAFN08226		CHAIN STRECHER -	1,00			--
0004	MTIG00129		PINION 1/2"x5/16" Z10	1,00			--
0005	MOCC00445		MOTOR 500W	1,00			--
0006	MEVR02107		KIT BRUSH	1,00			--
0007	LAFN08224		DISC -	1,00			--
0008	LAFN08225		PLIERS -	1,00			--
0009	MPVR11196		CRANKCASE MOTORWHEEL MOCC00434	1,00			--
0010	MEVR02827		THERMAL MOCC00445	1,00			--



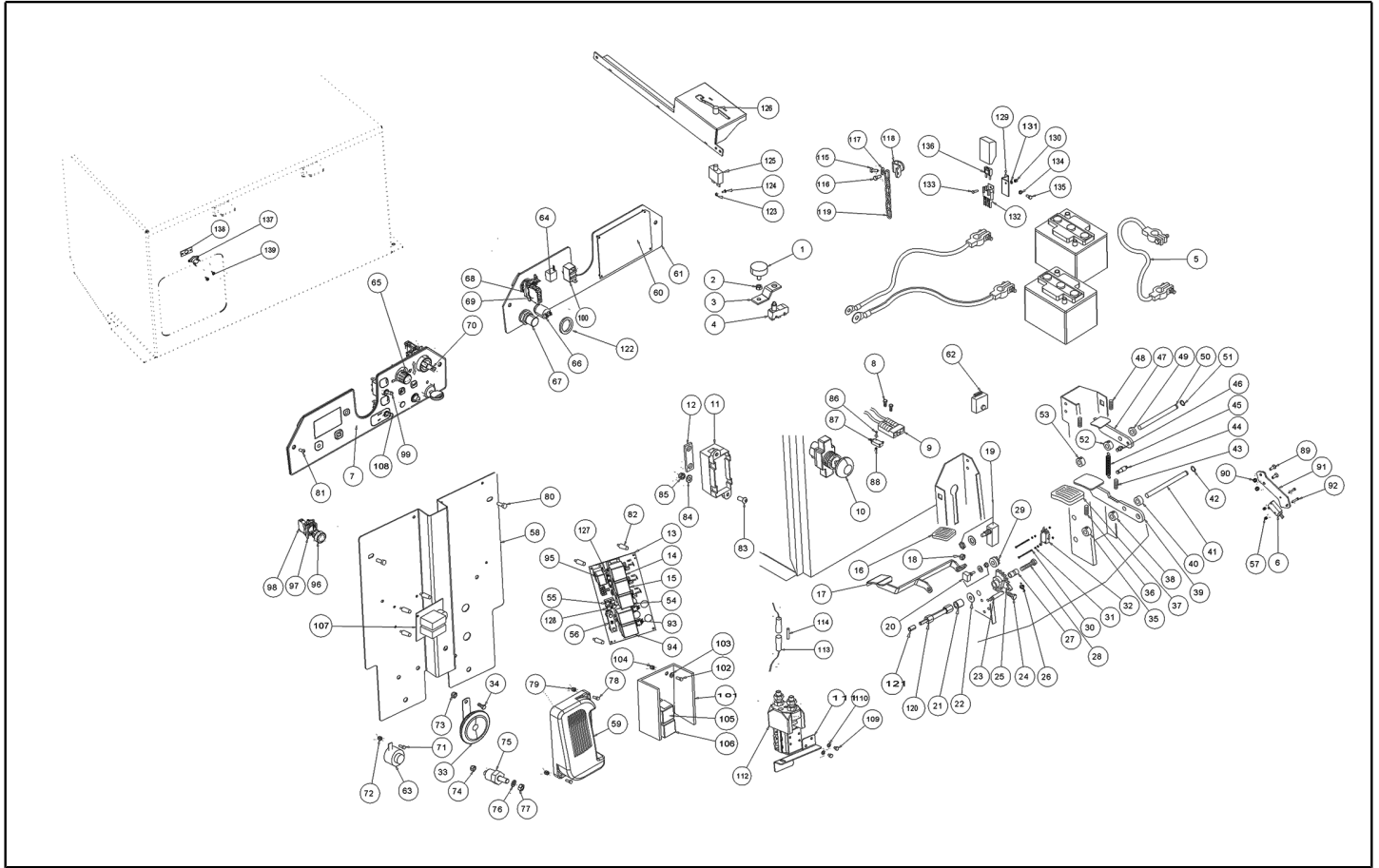
Ref. K	Part n.	Part n. 2	Description	Quantity	Validity		Price
					From	To	
0001	LAFN08122		BULKWARD -	1,00			--
0002	LAFN08179		PANEL -	1,00			--
0003	VEVR45113		IMPELLER 24V KDE 2412-PMS1 6A	1,00			--
0004	LAFN00009		BRACKET PROTEZIONE	1,00			--
0006	LAFN08125		BULKWARD -	1,00			--
0007	MPVR47166		CRANKCASE PROTEZIONE TELERUT.TK1400	1,00			--
0008	LAFN47167		BRACKET PORTA TELERUT.TK1400 ZINC	1,00			--
0009	METT45116		CONTACTOR T106P 24V 100%	2,00			--
0010	LAFN08123		SPACER -	1,00			--
0011	GUVR45977		GASKET CONV.ARIA 1400/1300/1400	1,00			--
0012	VEVR00078		IMPELLER -	1,00			--
0013	MPVR06411		CONVEYOR -	1,00			--
0014	MEVR02915		SOLENOID -	1,00			--
0015	KTRI05092		KIT -	1,00			--
0023	MRSC00092		SILENCER -	1,00			--
0024	LAFN02858		CLAMP D.32	2,00			--
0025	TBFX00057		FLEXIBLE HOSE	0,38			--
0026	LAFN08128		HOSE -	1,00			--
0027	MEVR00686		FAIR-LEAD DIAMETER 15.5	2,00			--
0028	LAFN47095		SPACER D.6X10X8 ZINCATO	2,00			--
0029	LAFN08126		BRACKET -	1,00			--
0031	FSVR00005		CLAMP TIPO "ECO"FORO MM8 D.1 W0	2,00			--
0032	FSVR19692		CLAMP D. 11-16 VT	2,00			--
0033	FSVR00024		HOSE COLLAR	1,00			--
0035	RCVR00004		CONNECTOR PORTAGOMMA 1/8" D.7	1,00			--
0036	RCGR00008		VALVE SOLUTION M/F 1/8"	1,00			--
0037	RCVR00019		SLEEVE 1/8"	1,00			--
0038	RCVR00004		CONNECTOR PORTAGOMMA 1/8" D.7	1,00			--
0039	LAFN08129		HOSE -	1,00			--
0040	TBBP00383		ROD LIVELLO OLIO	1,00			--
0041	METK47170		PROBE F11-140° NC	1,00			--
0042	ARGN00004		ALTERNATOR 28V-80A	1,00			--
0043	LAFN47157		SPACER X ALTERNATORE X 1400 DP	1,00			--
0044	VTDD00042		NUT AUT.M10 UNI7474	1,00			--
0045	VTVT16260		SCREW TE UNI 5737 10X160 ZB	1,00			--
0046	MFVR47154		SUPPORT MOTORINO TK1400 DP	1,00			--
0047	VTDD00491		NUT M 6 TEF	1,00			--
0048	LAFN47168		BELT-STRETCHER ALTERNATORE TK1400	1,00			--
0049	VTVT28307		SCREW TCCE UNI 5931 10X70 ZN	1,00			--
0050	VTVT63134		SCREW M 8X25 TSPEI ZC UNI 5933	4,00			--
0051	MTPL45323		PULLEY MOT.HONDA 44-RPP5-25 1400	1,00			--
0052	MOCC45115		MOTOR 24V 300W SX	1,00			--
0053	VTVT01119		SCREW TCCE UNI 5931 8X30 ZB	1,00			--
0054	MTCR45720		TOOTHED WHEEL Z. 80 P 1.75	1,00			--



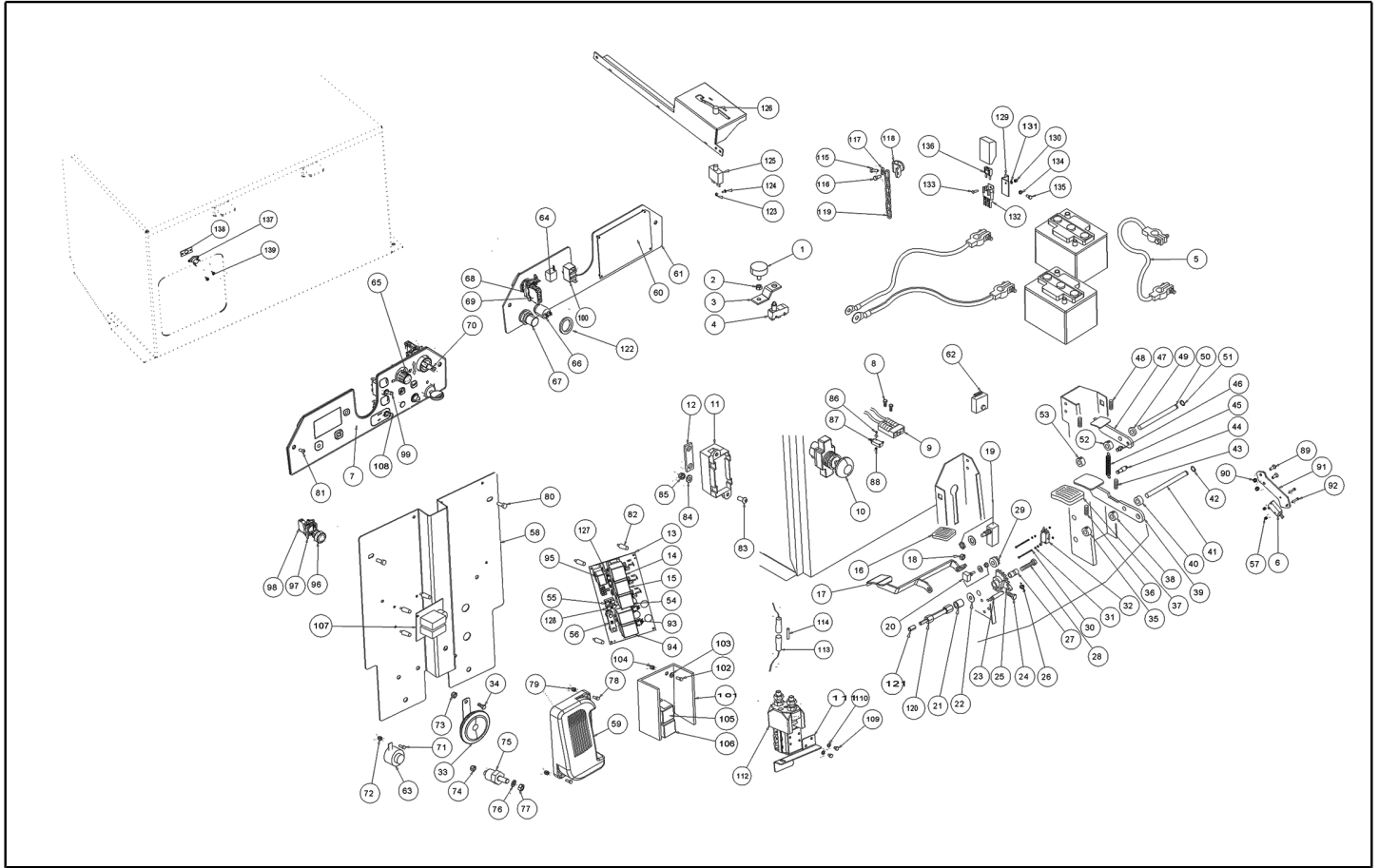
Ref. K	Part n.	Part n. 2	Description	Quantity	Validity		Price
					From	To	
0055	MTPL45322		PULLEY ALTERN.40-RPP5-25	1,00			--
0056	LAFN06832		WASHER BLOCCA INGRANAGGIO	1,00			--
0057	VTVT00066		SCREW TCCE UNI 5931 8X25 ZB	2,00			--
0058	VTVT00448		SCREW TE 8X30 UNI5739	1,00			--
0059	MTCG44555		BELT DENTATA DAYCO/ISORAN	1,00			--
0060	LAFN00271		NUT FISSA PULEGGIA ALTERNA.	1,00			--
0061	LAFN47152		BRACKET PROTEZIONE	1,00			--
0062	VTVT00005		SCREW TE FR 5X12 ZB	5,00			--
0063	LAFN87156		CONTAINER BATTERY	2,00			--
0064	VTDD00124		NUT M8 DIN985	4,00			--
0065	VTRS00504		WASHER D. 8 ZC. UNI 6592	4,00			--
0066	ABGO00009		VIBRATION DAMP. MM 40X30 8MAX25	4,00			--
0067	RCDS47173		NIPPLE 1/4 -M10X1.25	1,00			--
0068	TBBP00514		TUBE -	1,00			--
0070	RCDS00002		CAP 1/4" X IMPIANTO IDRAULICO	1,00			--
0071	FSVR00024		HOSE COLLAR	1,00			--
0072	LAFN08184		PLATE -	1,00			--
0073	MOSC47149		MOTOR HONDA GX200-SX-4-OH	1,00			--
0074	VTVT75726		SCREW TBCE ISO 7380 6X16 ZB	5,00			--
0075	VTRS04026		WASHER D. 6X18X2.38	5,00			--
0076	VTDD00491		NUT M 6 TEF	5,00			--
0077	VTDD00491		NUT M 6 TEF	4,00			--
0078	VTRS00503		WASHER D. 6 UNI 6798	4,00			--
0079	VTVT75726		SCREW TBCE ISO 7380 6X16 ZB	4,00			--
0080	VTVT15924		SCREW M4X16 UNI7687	4,00			--
0081	VTVT15924		SCREW M4X16 UNI7687	4,00			--
0082	VTVT75726		SCREW TBCE ISO 7380 6X16 ZB	2,00			--
0083	VTVT75726		SCREW TBCE ISO 7380 6X16 ZB	2,00			--
0084	VTVT62920		SCREW TE FR 6X16 ZB ZIGRINATE	2,00			--
0085	VTVT75725		SCREW TBCE ISO 7380 6X10 ZB	2,00			--
0086	VTVT75725		SCREW TBCE ISO 7380 6X10 ZB	2,00			--
0087	VTVT62920		SCREW TE FR 6X16 ZB ZIGRINATE	2,00			--
0088	VTVT00527		SCREW TE FR 6X10 ZB ZIG.	1,00			--
0089	VTRS00274		WASHER NYLON 66 D.8,4-17-2 UNI	2,00	17/12/2015		--
0090	LAFN09413		BUSHING -	2,00	17/12/2015		--



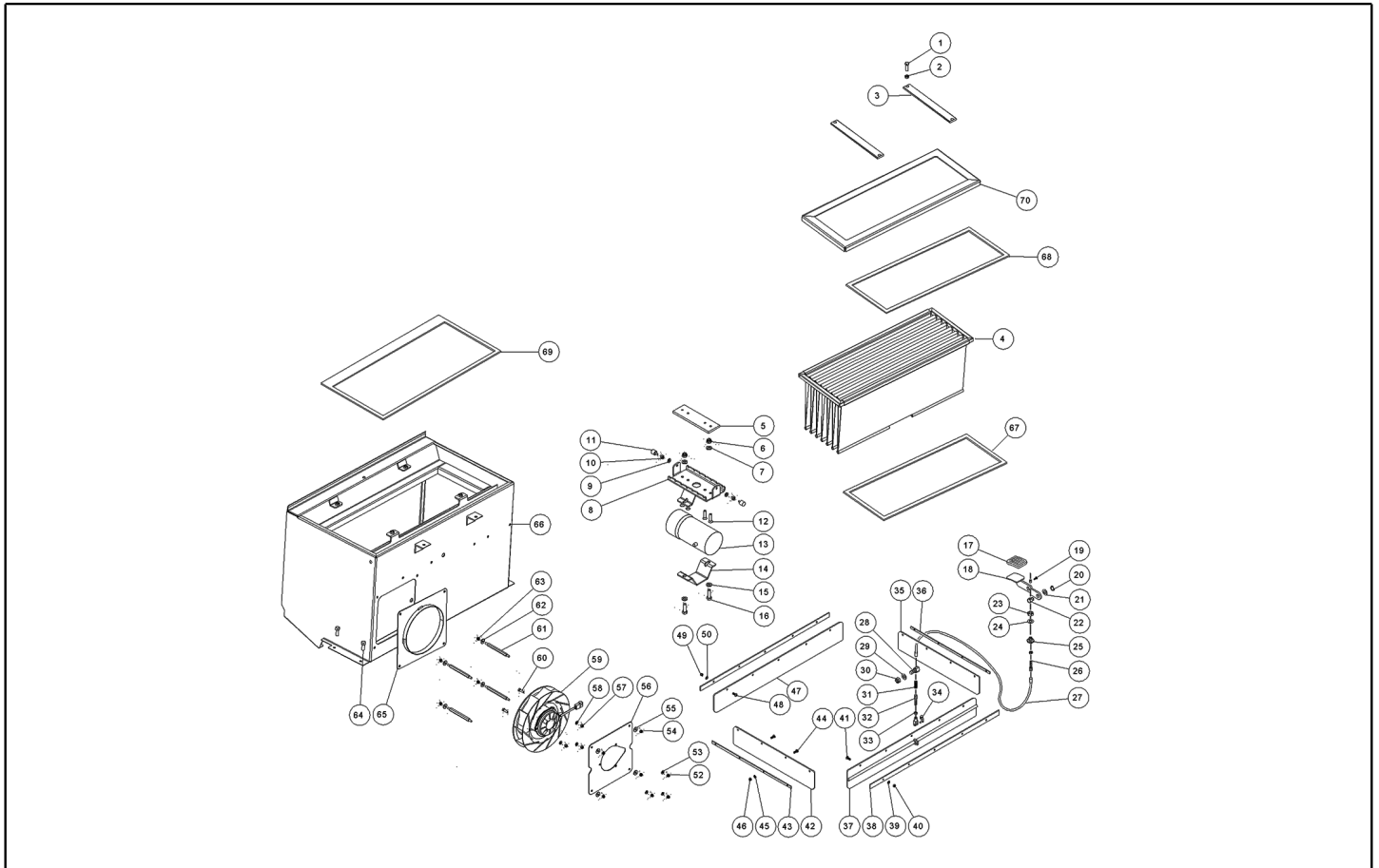
Ref. K	Part n.	Part n. 2	Description	Quantity	Validity		Price
					From	To	
0001	ABGO00026		VIBRATION DAMP.	2,00			--
0002	VTDD10776		NUT M 8 X1 UNI 5588	4,00			--
0003	LAFN07862		BRACKET -	1,00			--
0004	MECI75801		MICROSWITCH A PISTONE (MS/10-Z15GC)	1,00			--
0005	MEVR34820		WIRING BATTERY BRIDGE W/TERMINAL	3,00			--
0006	MECI00114		MICROSWITCH	1,00			--
0007	ETET01798		LABEL -	1,00		23/01/2020	--
0007	ETET16198		LABEL -	1,00	24/01/2020		--
0008	VTVT19236		SCREW TCCE UNI 5931 5X20 ZB	2,00		27/02/2019	--
0008	VTVT00339		SCREW TCEI M5X20	2,00	28/02/2019		--
0009	MEVR01079		PLUG M CB50 A 600V RD.	1,00		26/11/2019	--
0009	MEVR02595		CONNECTOR .	1,00	27/11/2019		--
0010	MECI00571		BUTTON EMERGENCY BL.SB 1250	1,00			--
0011	MEVR00146		FUSE-HOLDER MEGA	1,00			--
0012	MEVR00145		FUSE 100A	1,00			--
0013	MECE00592		BOARD POWER SERVICE 1250-1280	1,00			--
0014	MECE00201		RELAIS 24V 10-20 A	1,00			--
0015	MECE00201		RELAIS 24V 10-20 A	1,00			--
0016	MPVR85654		PEDAL COVER PICCOLO V1020	1,00			--
0017	LAFN08165		PEDAL -	1,00			--
0018	VTDD00124		NUT M8 DIN985	1,00			--
0019	MECI75801		MICROSWITCH A PISTONE (MS/10-Z15GC)	2,00			--
0020	KTRI02289		KIT 1250-80	1,00			--
0021	LAFN04042		SPACER D8.5-15	1,00			--
0022	VTRS00504		WASHER D. 8 ZC. UNI 6592	1,00			--
0023	LAFN75969		PIN SOSTEGNO CINGHI D.9 H.33	1,00			--
0024	VTVT01688		SCREW TBEI M 8X 30 ISO 7380 IX	1,00			--
0025	MTIG85317		GEAR ACCELERATORE TK1000	1,00			--
0026	MLML85997		SPRING A TORSIONE D.2 TK1000Egz	1,00			--
0027	LAFN47084		BUSHING ACCELERATORE TK 1000	1,00			--
0028	VTVT00452		SCREW TE 8X 50 UNI 5739	1,00			--
0029	MTIG85318		GEAR POTENZIOMETRO ACCEL.1000E	1,00			--
0030	VTVT00021		SCREW TE UNI 5739 3X25 ZB	2,00			--
0031	VTDD00001		NUT UNI 5588 M3 ZB	4,00			--
0032	MECI30642		MICRO-SWITCH 11A 0.33HP	1,00			--
0033	MEVR02112		HORN 24V	1,00	12/10/2015		--
0033	MEVR33430		KLAXON K100/Y 1A 24V	1,00		11/10/2015	--
0034	VTVT00527		SCREW TE FR 6X10 ZB ZIG.	1,00			--
0035	LAFN47030		BUSHING FISS.PEDALE FRENO FORATA	1,00			--
0036	VTVT75731		GRUB SCREW UNI 5923 6X5	1,00			--
0037	MPVR45096		PEDAL COVER GRANDE V1021	1,00			--
0038	LAFN47030		BUSHING FISS.PEDALE FRENO FORATA	1,00			--
0039	LAFN09344		PEDAL -	1,00			--
0040	LAFN47019		BUSHING FISSAGGIO PEDALE FRENO	1,00			--



Ref. K	Part n.	Part n. 2	Description	Quantity	Validity		Price
					From	To	
0041	LAFN47036		PIN FISS.PEDALE FRENO+ALZAFL.	1,00			--
0042	VTAE87276		SEEGER EXT. D10 DIN471	1,00			--
0043	VTVT75731		GRUB SCREW UNI 5923 6X5	1,00			--
0044	LAFN47035		PIN CH.10 H.26 ATTACCO MOLLA	1,00			--
0045	MLML75960		SPRING TRAZIONE TK D.8X1X29 ZB	1,00			--
0046	LAFN47029		PIN CH.10 H.16 ATTACCO MOLLA	1,00			--
0047	LAFN47032		PEDAL BLOCCO FRENO TK1000 ZINC	1,00			--
0048	VTVT75731		GRUB SCREW UNI 5923 6X5	1,00			--
0049	LAFN47033		BUSHING FISSAGGIO PERNO PEDALI	1,00			--
0050	LAFN47031		PIN PEDALE BLOCCO FRENO 1000	1,00			--
0051	VTAE87276		SEEGER EXT. D10 DIN471	1,00			--
0052	LAFN47030		BUSHING FISS.PEDALE FRENO FORATA	1,00			--
0053	LAFN47030		BUSHING FISS.PEDALE FRENO FORATA	1,00			--
0054	MECE00201		RELAIS 24V 10-20 A	1,00			--
0055	MEVR01136		FUSE 30A	1,00			--
0056	MEVR02105		FUSE 50A OMEGA FT3050	1,00			--
0057	VTDD21115		NUT M 3 INOX	2,00			--
0058	LAFN08202		PLATE -	1,00			--
0059	MECE00601		BOARD 1250-1280	1,00			--
0060	MECE00591		BOARD LOGIC 1250-1280	1,00			--
0061	LAFN08204		SUPPORT METAL DASHBOARD 1250	1,00			--
0062	MEVR02017		BEEPER FLASHER FOR BEACON 24V	1,00			--
0063	MECE00182		BUZZER	1,00			--
0064	KTRI05576		KIT POTENTIOMETER SPEED CONTR	1,00			--
0065	KTRI01935		KIT 1050-1202	1,00			--
0066	MEVR85330		BUTTON -	1,00			--
0067	MECI75805		SWITCH KEY FOR BATTERY MACHINES	1,00			--
0068	MECI00520		SMALL BASKET FIX TO FIX CONTACT	1,00		17/09/2018	--
0068	MECI00665		SUPPORT -	1,00	18/09/2018		--
0069	MECI00518		CONTACT NC	1,00		17/09/2018	--
0069	MECI00664		CONTACT 1NC	1,00	18/09/2018		--
0070	MECI00572		SELECTOR -	1,00		17/09/2018	--
0070	MECI00667		SELECTOR -	1,00	18/09/2018		--
0071	VTVT00311		SCREW TE M4X12	1,00			--
0072	VTDD04368		NUT M 4 ZIN UNI 5588	1,00			--
0073	VTDD00491		NUT M 6 TEF	1,00			--
0074	VTDD00124		NUT M8 DIN985	2,00			--
0075	MEVR01116		SUPPORT FUSIBILE 120 A	2,00			--
0076	VTRS01080		WASHER D. 8 GRW	2,00			--
0077	VTDD00483		NUT M 8 ZIN UNI 5588	2,00			--
0078	VTVT01529		SCREW TE M4X20 ZINC. UNI 5739	2,00			--
0079	VTDD04369		NUT M 4 TEF UNI 7473	2,00			--
0080	VTVT00527		SCREW TE FR 6X10 ZB ZIG.	3,00			--
0081	VTVT00659		SCREW TC+ M. 4-15	8,00			--



Ref. K	Part n.	Part n. 2	Description	Quantity	Validity		Price
					From	To	
0123	VTDD00210		NUT M 3 AUTOBL.DIN 985 IX.A2	2,00	18/01/2017	--	--
0124	VTVT00722		SCREW	2,00	18/01/2017	--	--
0125	MEVR02899		FUSE CIRCUIT BREAKER 35A	1,00	18/01/2017	--	--
0126	MEVR02900		CAP -	1,00	18/01/2017	--	--
0127	MEVR01133		FUSE 15A 32V	1,00	27/08/2019	--	--
0128	MEVR01136		FUSE 30A	1,00	27/08/2019	--	--
0129	LAFN11489		SHEET METAL PA .	1,00	31/01/2020	--	--
0130	VTDD00128		SELF-LOCJ.NUT M5	1,00	31/01/2020	--	--
0131	VTRS00502		WASHER D. 5 0.466 UNI 6592	1,00	31/01/2020	--	--
0132	MEVR00613		FUSE CARRIER MAXIVAL with cover	1,00	31/01/2020	--	--
0133	VTVT14062		SCREW TE UNI 5739 5X16 ZB A.8.8	1,00	31/01/2020	--	--
0134	VTRS15144		WASHER D. 6 INX GRW UNI 1751	1,00	31/01/2020	--	--
0135	VTVT01531		SCREW TE 6X 16 UNI 5739	1,00	31/01/2020	--	--
0136	MEVR04014		FUSE 50A MAXIVAL	1,00	31/01/2020	--	--
0137	METK00017			1,00	03/03/2020	--	--
0138	GUGO00675		GASKET -	1,00	03/03/2020	--	--
0139	VTVT00040		SCREW AUTOF.TC UNI6954 3,5X10SP	2,00	03/03/2020	--	--



Ref. K	Part n.	Part n. 2	Description	Quantity	Validity		Price
					From	To	
0045	VTRS00503		WASHER D. 6 UNI 6798	4,00			--
0046	VTDD00491		NUT M 6 TEF	4,00			--
0047	MPVR75934		FLAP REAR TK1000	1,00			--
0048	VTVT75721		SCREW TTDE UNI 5732 6X16 ZB	5,00			--
0049	VTDD00491		NUT M 6 TEF	5,00			--
0050	VTRS00503		WASHER D. 6 UNI 6798	5,00			--
0052	VTDD00482		NUT M 6 ZIN UNI 5588	3,00			--
0053	VTRS00503		WASHER D. 6 UNI 6798	3,00			--
0054	VTDD00491		NUT M 6 TEF	4,00			--
0055	VTRS04026		WASHER D. 6X18X2.38	4,00			--
0056	LAFN06854		SHEET METAL PA. 1450	1,00			--
0057	VTDD00482		NUT M 6 ZIN UNI 5588	3,00			--
0058	VTRS00503		WASHER D. 6 UNI 6798	3,00			--
0059	VEVR00070		IMPELLER SUCTION MOTOR 1250-1450	1,00			--
0060	VTVT00444		SCREW TE 6X20 UNI5739	3,00			--
0061	LAFN06757		SPACER 1450	4,00			--
0062	VTRS04026		WASHER D. 6X18X2.38	4,00			--
0063	VTDD00491		NUT M 6 TEF	4,00			--
0064	VTVT62920		SCREW TE FR 6X16 ZB ZIGRINATE	4,00			--
0065	LAFN08170		ADAPTER TK1000	1,00			--
0066	LAFN36060		FRAME SUPPORT POCKET FILTER	1,00			--
0067	MPVR00051		MOUSSE 15X5	2,00			--
0068	MPVR00051		MOUSSE 15X5	2,00			--
0069	KTRI01997		KIT -	1,00			--
0070	LAFN11463		FILTER FILTER 1250-80	1,00			--