



**IPC**

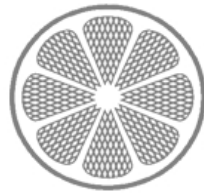
**Spare parts list**

Ref: ASDO13295

Cust.ref: 43107 NTKO

Model: VACUUM CLEANER WC3/107W&D WINDLY440CB NE

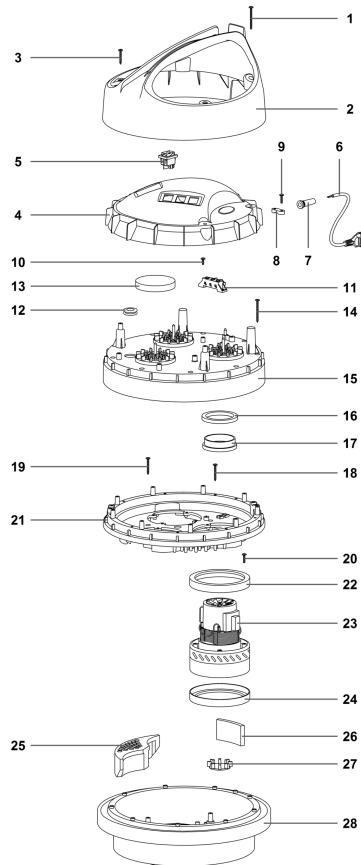
Cust.model:



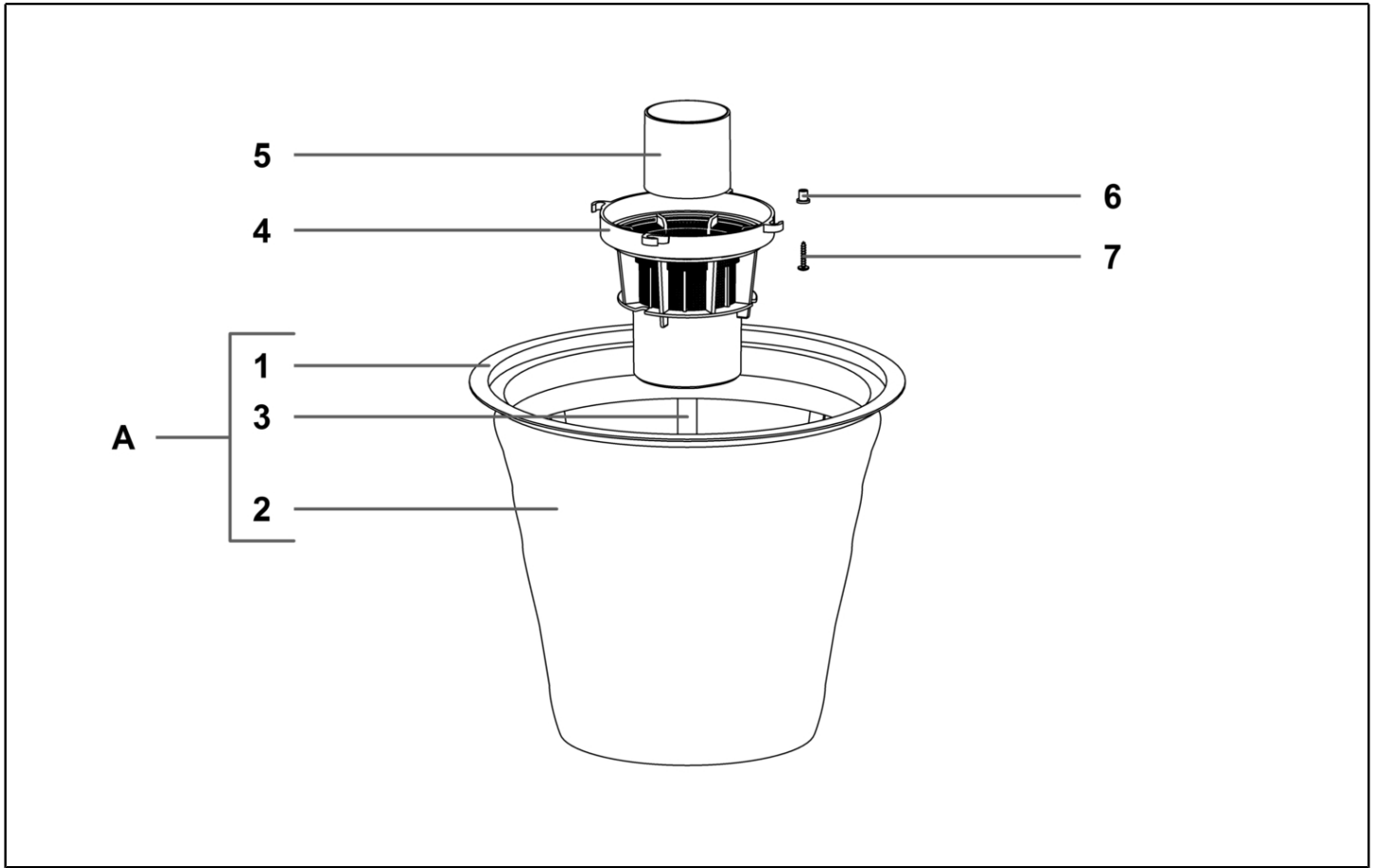
IPC Integrated Professional Cleaning

**IPC Soteco**

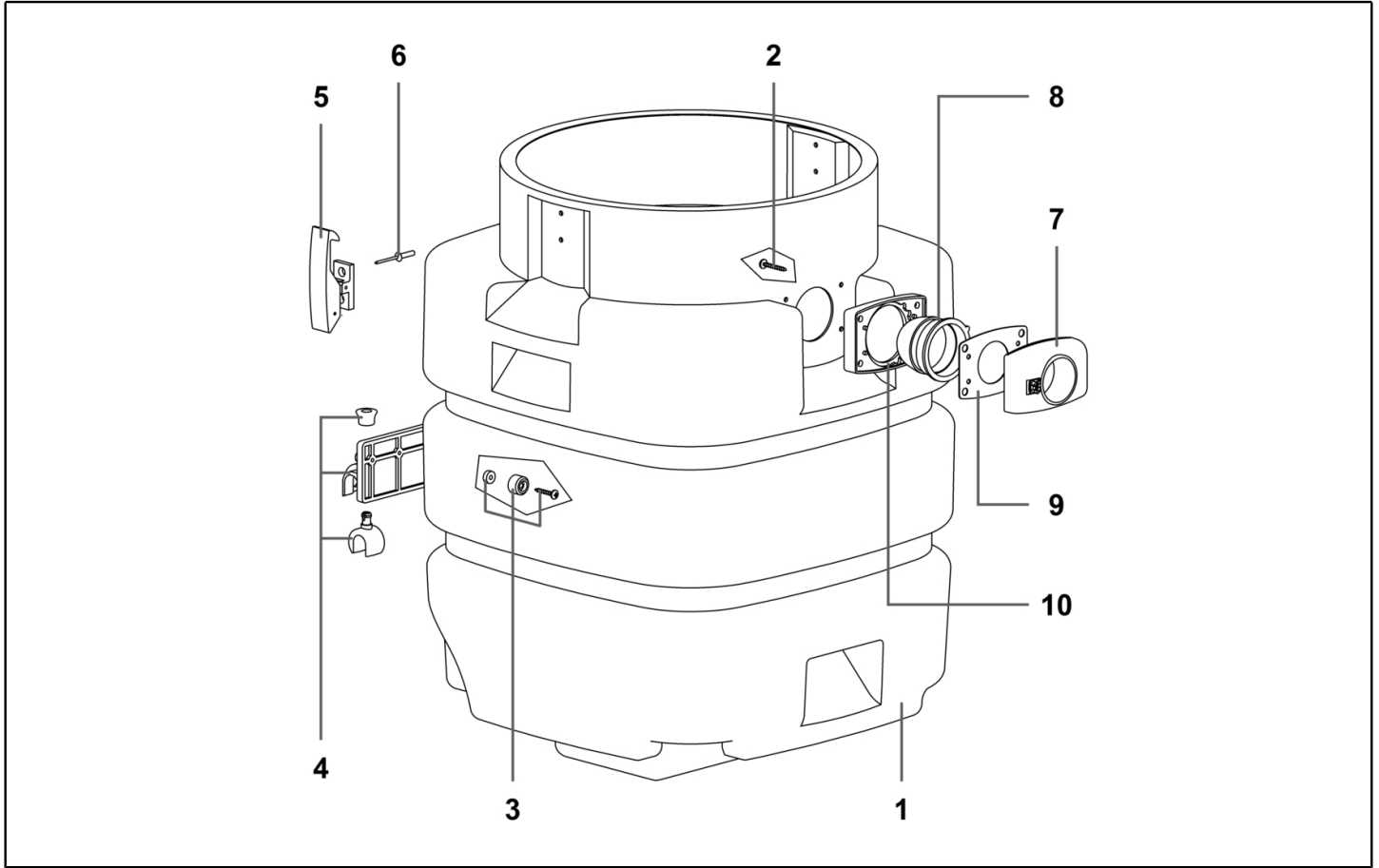
Ref. K	Part n.	Part n. 2	Description	Quantity	Validity		Price
					From	To	
0001	PMTA08736		HEAD WINDLY 440 2ST NE/VEI	1,00			--
0002	KTRI72229		COMPL.FILTRATION KIT 400	1,00			--
0003	PMFU02540		TANK 400/SB G4/NEVEI COMP	1,00			--
0004	KTRI75217		TROLLEYCOMPLETE TIPPING TROLLEY	1,00			--



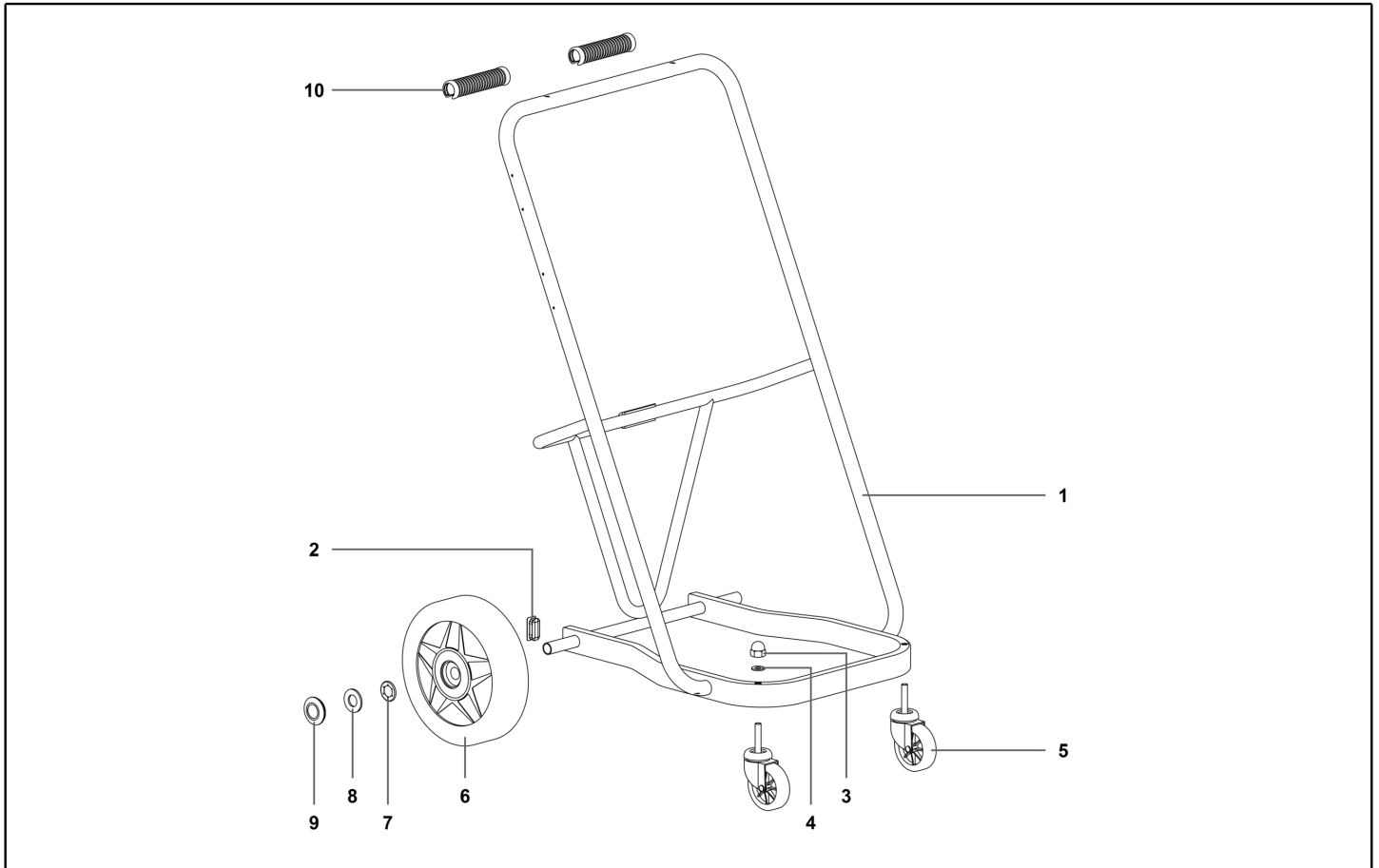
Ref. K	Part n.	Part n. 2	Description	Quantity	Validity		Price
					From	To	
*	MECB01826		WIRING 50CM MOTORE POKE-IN-TP	3,00			--
*	FSVR00127		CLAMP	4,00			--
0001	VTVT40007		SCREW PAT TMT PHL 5X55 BLACK	2,00			--
0002	MPVR08255		BLACK HANDLE WINDLY 600	1,00			--
0003	VTVT71971		SCREW PAT TMT PHL 5X35 BLACK	2,00			--
0004	MPVR08265		COVER WINDLY 600 GREE-IPC	1,00			--
0005	MECI28744		ANTISPLASH RED LIGHT SWITCHER	3,00			--
0006	MECB31445		ELECTRIC CORD 2X1,5 MT.8,5	1,00			--
0007	MEVR28673		FAIRLEAD	1,00			--
0008	MPVR28690		CABLE CLAMP	1,00			--
0009	VTVT71961		SCREW PFU TMT PHL 5X20 ZN NERA	1,00			--
0010	VTVT71960		SCREW SCREW PAT TMT PHL 5X14 ZN	2,00			--
0011	MEVR02008		TERM.BOARD 400-600 3MOT.RAD	1,00			--
0012	MEVR72017		GUIDING SLIT FOR QUICK COUPLING	1,00			--
0013	FTDP38064		FILTER MTP/65 H=15 D.95	3,00			--
0014	VTVT40007		SCREW PAT TMT PHL 5X55 BLACK	9,00			--
0015	MPVR08519		COVERING 600 GREEN IPC	1,00			--
0016	MPVR38371		WASHER H8 D85X65	3,00			--
0017	MPVR86282		RING MOTORE H=7 (15) PLAST.	3,00			--
0018	VTVT72106		SCREW PAT TMT PHL 5X40 BLACK	9,00			--
0019	VTVT72106		SCREW PAT TMT PHL 5X40 BLACK	3,00			--
0020	VTVT71961		SCREW PFU TMT PHL 5X20 ZN NERA	12,00			--
0021	MPVR89502		MOTOR-FASTENER NEV.600 BLACK	1,00			--
0022	GUGO28683		"L" GASKET W/O HOLES H=5,5	3,00			--
0023	MOMO28716		MOT.BD302 1000W 220-240V 50-60HZ	3,00			--
0024	GUGO28683		"L" GASKET W/O HOLES H=5,5	3,00			--
0025	FTDP38057		ANTINOISE TRIANGLE H=51	3,00			--
0026	FTDP28745		GASKET MTP/30 AU-AD 50X10X85	3,00			--
0027	MPVR28748		AUTOMATIC VALVE	3,00			--
0028	PMBA00588		BASE 600/400 W/BLACK GASKET	1,00			--



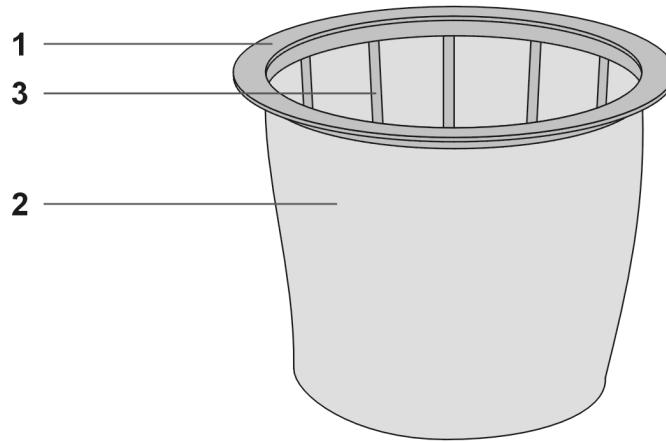
Ref. K	Part n.	Part n. 2	Description	Quantity	Validity		Price
					From	To	
A	FTDP28733		KIT RING+FILT+BASK.400 CONIC.SAN	1,00			--
0001	MPVR35807		FILTER RING 400	1,00			--
0002	FTDP00523		FILTER POLY AN4-600 CON REG H320	1,00			--
0003	MPVR09199		CONICAL BASKET 400	1,00			--
0004	MPVR40521		NET ANTIFOAM BODY HIGH	1,00			--
0005	RCGR40008		HIGH FLOAT 99 W/GASKET 37 SHA	1,00			--
0006	MPVR35796		BUSHING PLASTIC SLEEVE D.8	4,00			--
0007	VTVT36751		SCREW SCREW PAT TMT PHL 5X25	4,00			--



Ref. K	Part n.	Part n. 2	Description	Quantity	Validity		Price
					From	To	
0001	PMFU00877		TANK 400/S PL.BASC. G4 PERF.	1,00			--
0002	VTVT71971		SCREW PAT TMT PHL 5X35 BLACK	4,00			--
0003	PMVR02551		COMPL SEAL JOI. W/SCREW L=3	4,00			--
0004	MPVR07266		HINGE GROUP	1,00			--
0005	CHVR28735		COMPLETE PLASTIC HOOK BLACK	2,00			--
0006	VTVR00340		RIVET 5X24,5	4,00			--
0007	MPVR09047		PIPE UNION R155 BLACK C/PUL.GR-IPC	1,00			--
0008	MPVR28696		DEFLECTOR 99	1,00			--
0009	GUGO28701		GASKET D.38	1,00			--
0010	GUGO28736		GASKET R 205 BLACK	1,00			--



Ref. K	Part n.	Part n. 2	Description	Quantity	Validity		Price
					From	To	
0001	LAFN09910		TROLLEY BODY 400 COMPACT BASC.	1,00			--
0002	MPVR06136		PLASTIC TOP 40X20	2,00			--
0003	VTDD72234		NUT M 10	2,00			--
0004	VTRS71964		WASHER M 10	2,00			--
0005	RTRT21167		FRONT WHEEL	2,00			--
0006	RTRT24322		WHEEL SR 250	2,00			--
0007	MPVR72149		BLOC D.20	2,00			--
0008	VTRS00420		PLASTIC WASHER D.40X20,5X3	2,00			--
0009	MPVR85070		WHEEL CAP D.200/250 BLACK	2,00			--
0010	MPVR02288		PLAST.TROLLEY HANDLE	2,00			--



Ref. K	Part n.	Part n. 2	Description	Quantity	Validity		Price
					From	To	
0001	MPVR35807		FILTER RING 400	1,00			--
0002	FTDP00523		FILTER POLY AN4-600 CON REG H320	1,00			--
0003	MPVR09199		CONICAL BASKET 400	1,00			--