

**IPC**

**Spare parts list**

Ref: ASDO13288

Cust.ref: S141 HC

Model: VACUUM CLEANER GS1/41OVEN WINDLY 515 VOL

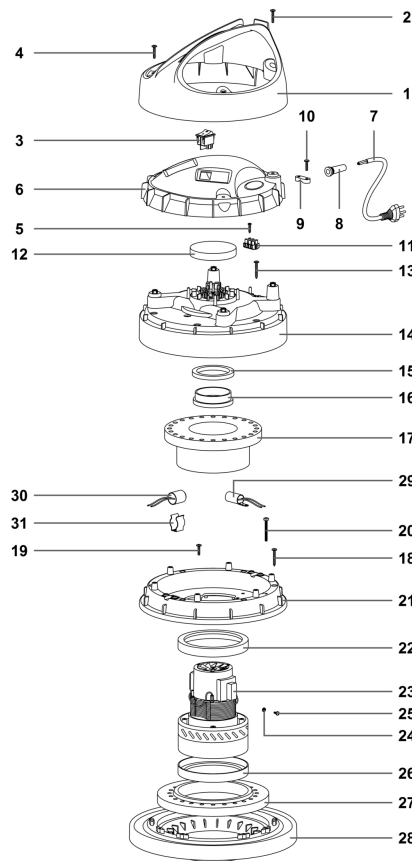
Cust.model:



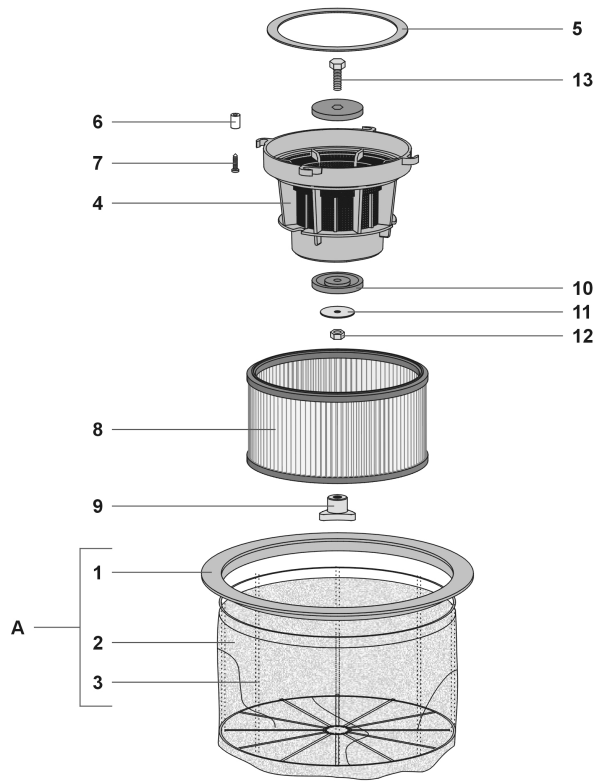
IPC Integrated Professional Cleaning

**IPC Soteco**

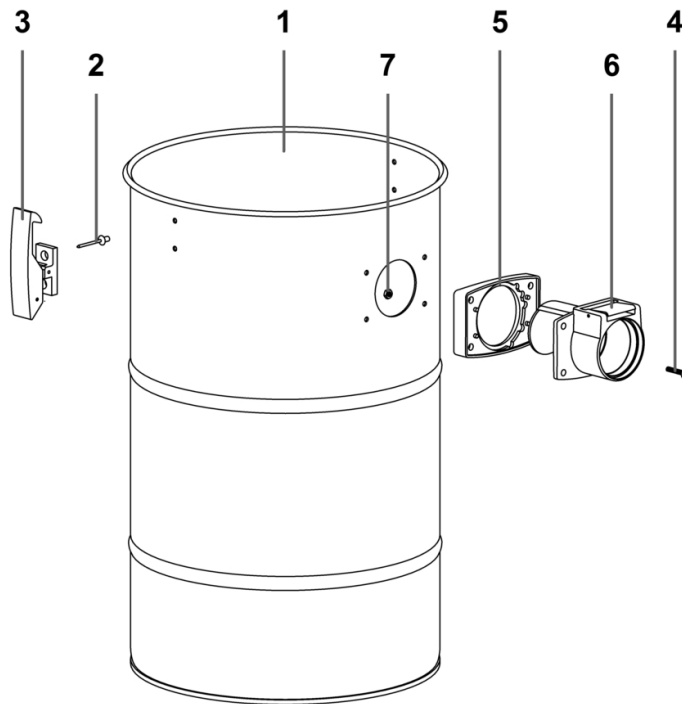
Ref. K	Part n.	Part n. 2	Description	Quantity	Validity		Price
					From	To	
0001	PMTA08737		HEAD WINDLY 515 VOLCAN C/PI MA	1,00			--
0002	KTRI04563		FILTERING KIT 500 X551 W/CART.07522	1,00			--
0003	LAFN10517		TANK 500 AISI 430 D.60 ALL COM	1,00			--
0004	MPVR40524		TROLLEYVEGAS TROLLEY 500 COMPLET	1,00			--



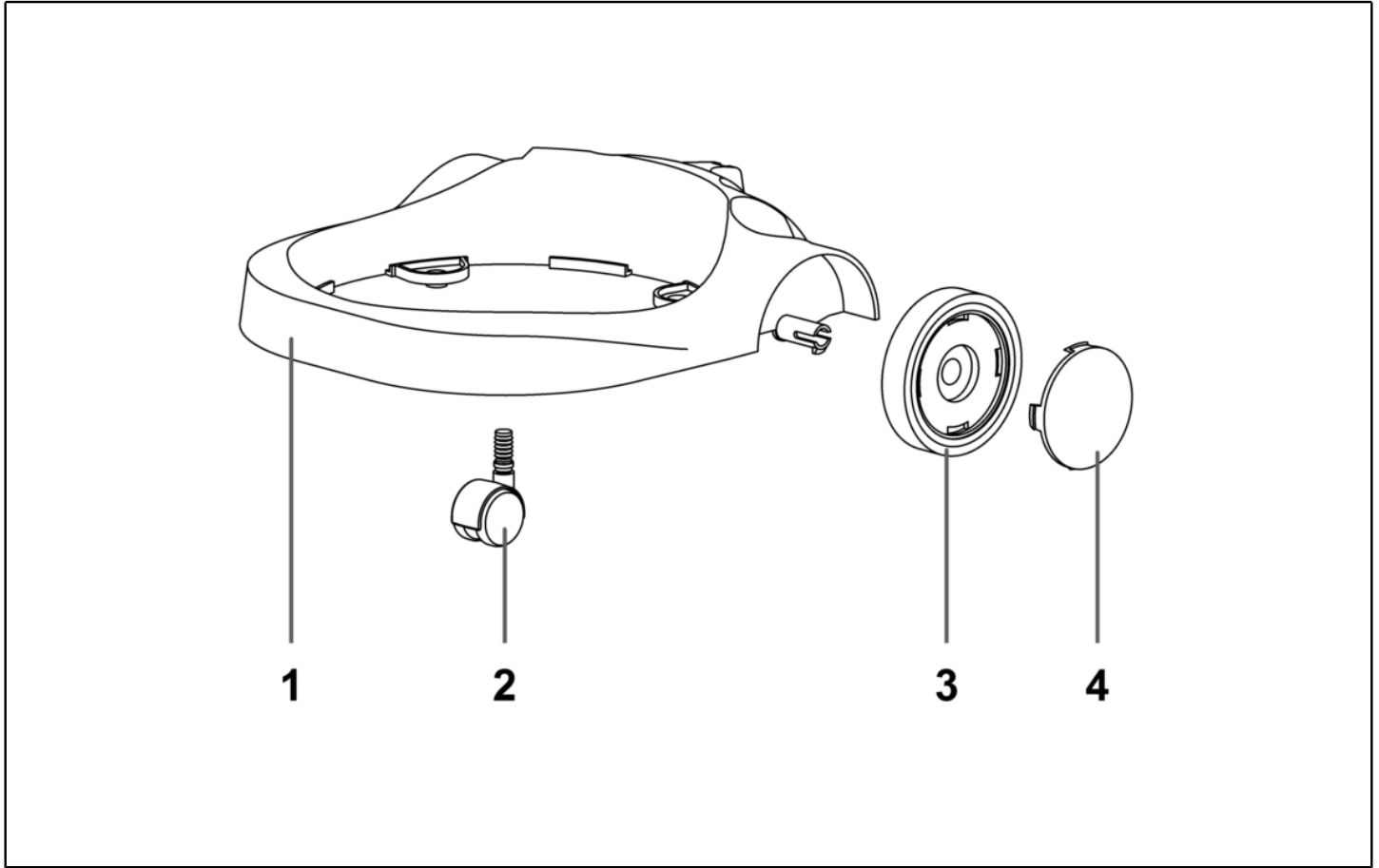
Ref. K	Part n.	Part n. 2	Description	Quantity	Validity		Price
					From	To	
*	FSVR00127		CLAMP	3,00			--
*	MECB01212		WIRING 43CM MOTOR	1,00			--
*	MECB01707		CONN.WIRE M.200-G/V-4-2-5,2	1,00			--
0001	MPVR08242		BLACK HANDLE WINDLY 500	1,00			--
0002	VTVT72055		SCREW PFU TMT PHL 5X25 ZN BLACK	2,00			--
0003	MECI28677		SWITCH	1,00			--
0004	VTVT72055		SCREW PFU TMT PHL 5X25 ZN BLACK	2,00			--
0005	VTVT88715		SCREW PAT TCB 4,5X20 ZN BLACK	1,00			--
0006	MPVR08249		COVER WINDLY 500 IPC GREEN	1,00			--
0007	MECB01510		POWER CORD ELECTRIC CORD 3X1 MT.8,5	1,00			--
0008	MEVR28673		FAIRLEAD	1,00			--
0009	MPVR28690		CABLE CLAMP	1,00			--
0010	VTVT71961		SCREW PFU TMT PHL 5X20 ZN NERA	1,00			--
0011	MECB01153		TERMINAL BOARD 300-500 3P S/R	1,00			--
0012	FTDP38064		FILTER MTP/65 H=15 D.95	1,00			--
0013	VTVT71971		SCREW PAT TMT PHL 5X35 BLACK	6,00			--
0014	MPVR09134		COVERING 99 S/HOLES GREEN-IPC	1,00			--
0015	MPVR38371		WASHER H8 D85X65	1,00			--
0016	MPVR86282		RING MOTORE H=7 (15) PLAST.	1,00			--
0017	FTDP38066		FILTER PHONO H=75	1,00			--
0018	VTVT71971		SCREW PAT TMT PHL 5X35 BLACK	6,00			--
0019	VTVT71961		SCREW PFU TMT PHL 5X20 ZN NERA	4,00			--
0020	VTVT01272		SCREW TC CROSS M 5X45 UNI 7687	1,00			--
0021	MPVR08419		MOTOR SUPPORT 500 BLACK	1,00			--
0022	GUGO28683		"L" GASKET W/O HOLES H=5,5	1,00			--
0023	MOMO49601		MOT.BD431 AD 1300W 220-240 50/60	1,00			--
0024	VTRS00393		TOOTHED WASHER M4 UNI 8842	1,00			--
0025	VTVT01037		SCREW TC CROSS M 4X8 UNI 7687	1,00			--
0026	GUGO28683		"L" GASKET W/O HOLES H=5,5	1,00			--
0027	FTDP38067		WASHER MTP 65MM 18D 230X145	1,00			--
0028	PMBA00065		BASE 500 C/GUARN.+PI. NYLON BL	1,00			--
0029	MEVR02226		CAPACITOR W/PI. COMP FASTON	1,00			--
0030	MEVR02228		TOROID 300/500	1,00			--
0031	LAFN06570		CLAMP BRACKET TOROIDE	1,00			--



Ref. K	Part n.	Part n. 2	Description	Quantity	Validity		Price
					From	To	
A	KTRI03006		RINGS KIT 500 AU+FIL.X551+CEST.99	1,00			--
0001	MPVR07730		HOLDER RING SERIE 500 AU	1,00			--
0002	FTDP00475		FILTER TES X551 AN3-500 CIL REG	1,00			--
0003	MPVR37175		BASKET 99	1,00			--
0004	MPVR08386		ANTIFOAM BODY RETE BASSO AU V0	1,00			--
0005	GLUVR40078		GASKET H3 DS50 W/ANTIFOAM BODY	1,00			--
0006	MPVR35796		BUSHING PLASTIC SLEEVE D.8	4,00			--
0007	VTVT36751		SCREW SCREW PAT TMT PHL 5X25	4,00			--
0008	FTDP00293		CARTRIDGE HEPA 175X145X130 CIFF	1,00			--
0009	VTVR00346		HAND-WHEEL M 10 "F" 3 POINTS	1,00			--
0010	MPVR10240		CAP SCREW ANCOR AU V0	2,00			--
0011	VTVR71967		WASHER M 10X30X2,5	1,00			--
0012	VTDD72010		NUT 10 MA	1,00			--
0013	VTVT01234		SCREW TE M 10X45 UNI 5739 ZN	1,00			--



Ref. K	Part n.	Part n. 2	Description	Quantity	Validity		Price
					From	To	
0001	LAFN06644		TANK 500/41 AISI 430	1,00			--
0002	VTVR71991		RIVET 5X11	4,00			--
0003	CHVR28735		COMPLETE PLASTIC HOOK BLACK	2,00			--
0004	VTVT85000		SCREW M 5X25	4,00			--
0005	GUGO28736		GASKET R 205 BLACK	1,00			--
0006	MFVR40018		INLET W/DEFLECTOR D60 AL. COMP	1,00			--
0007	VTDD00223		BRASS NUT M 5 UNI 5588	4,00			--



Ref. K	Part n.	Part n. 2	Description	Quantity	Validity		Price
					From	To	
0001	MPVR40522		TROLLEY TROLLEY BODY 500 VEGAS BL	1,00			--
0002	RTRT42006		TROLLEY BOX WHEEL	2,00			--
0003	RTRT85778		WHEEL BODY YES	2,00			--
0004	MPVR40523		WHEEL COVERING YES BLACK	2,00			--



Ref. K	Part n.	Part n. 2	Description	Quantity	Validity		Price
					From	To	
0001	GUVR40078		GASKET H3 DS50 W/ANTIFOAM BODY	1,00			--
0001	GUVR40078		GASKET H3 DS50 W/ANTIFOAM BODY	1,00			--