

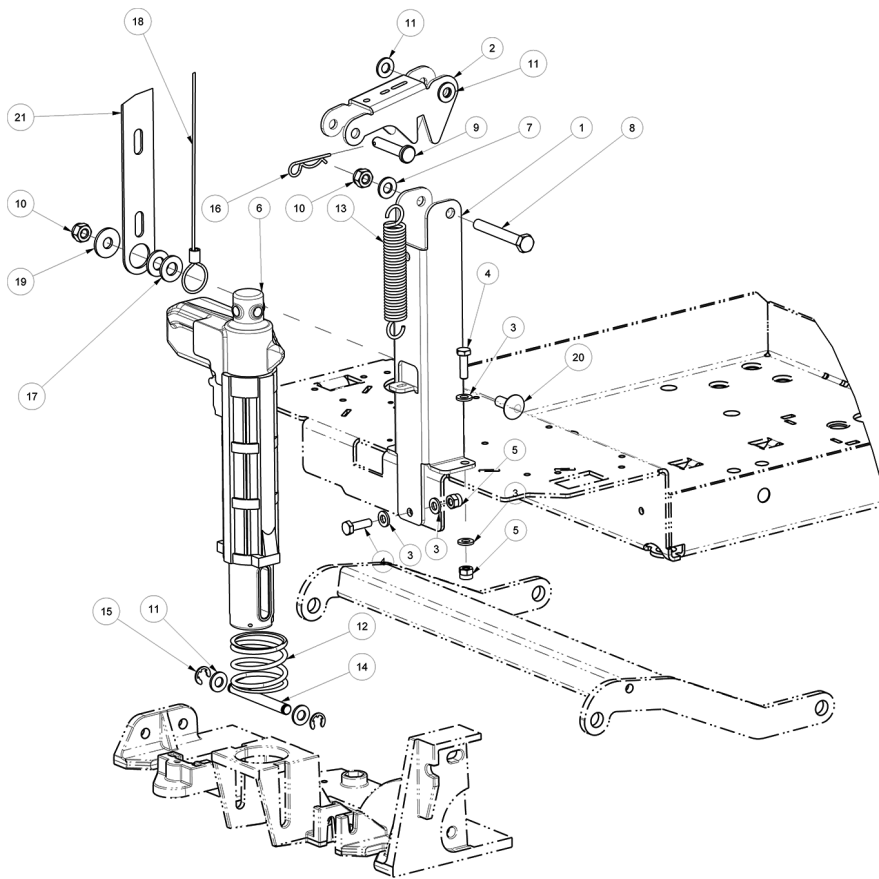


IPC

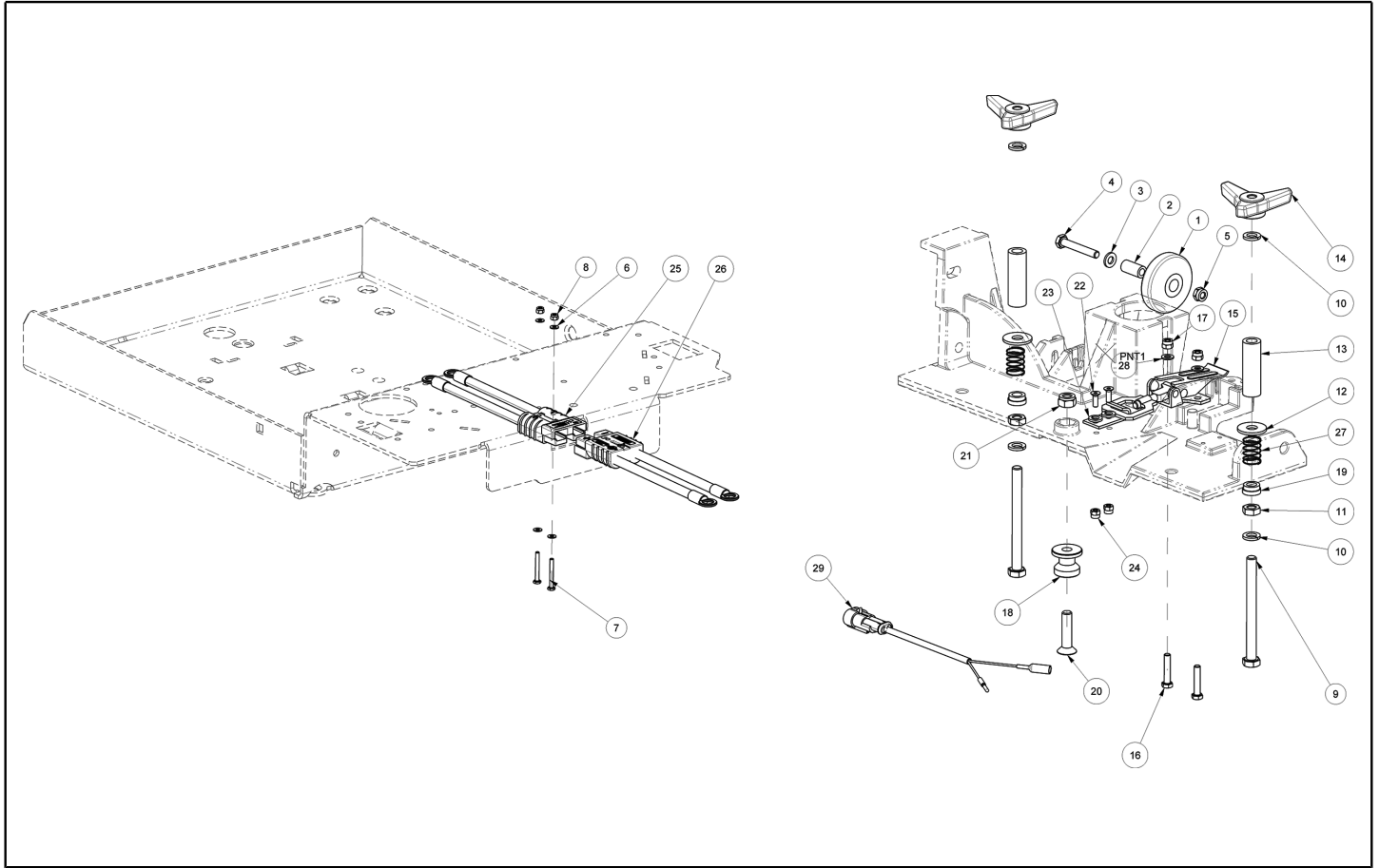
Spare parts list

Ref: LPTB01912

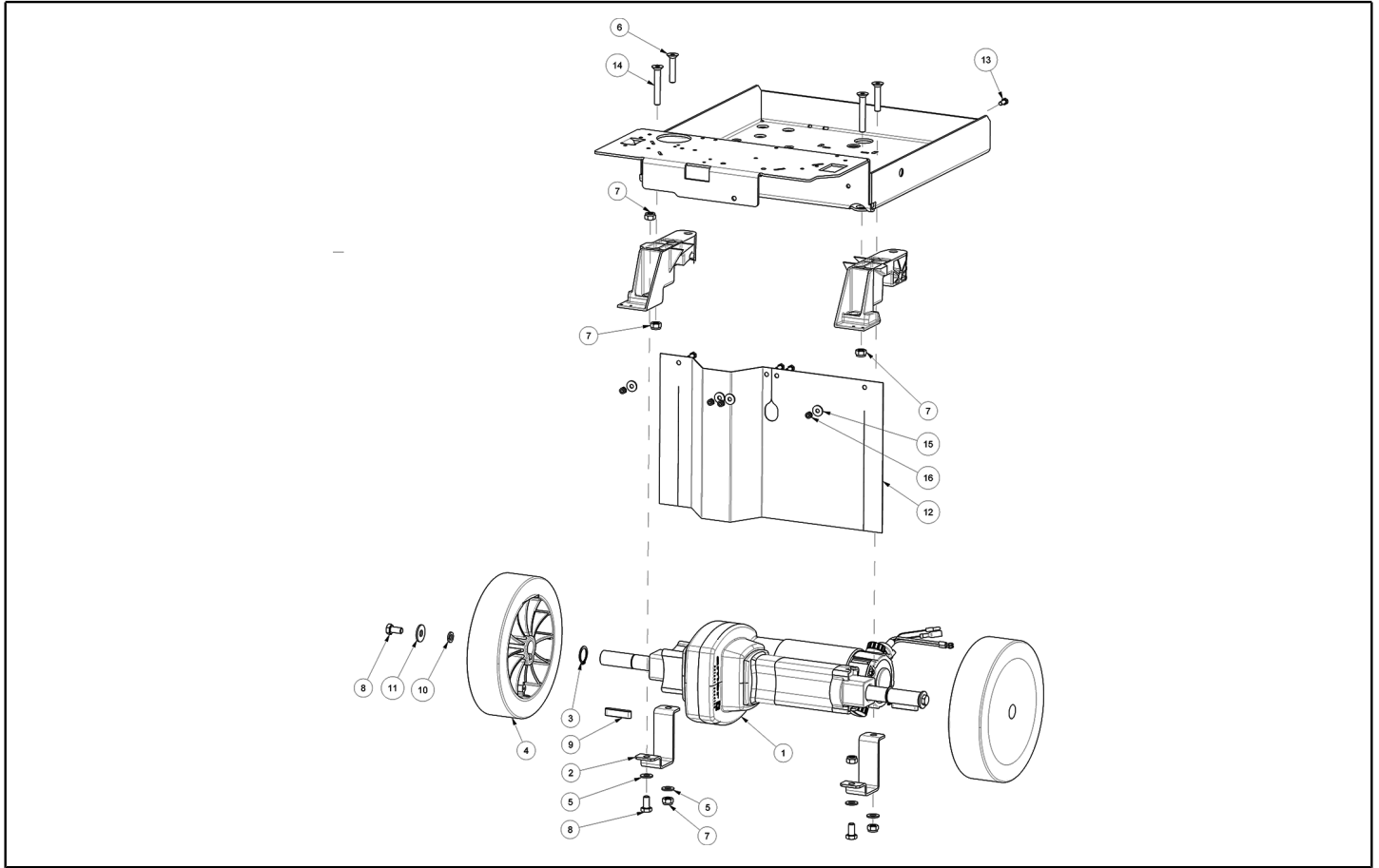
Model: FLOOR WASHER CT71 XP70+CB+BAT GR/VE



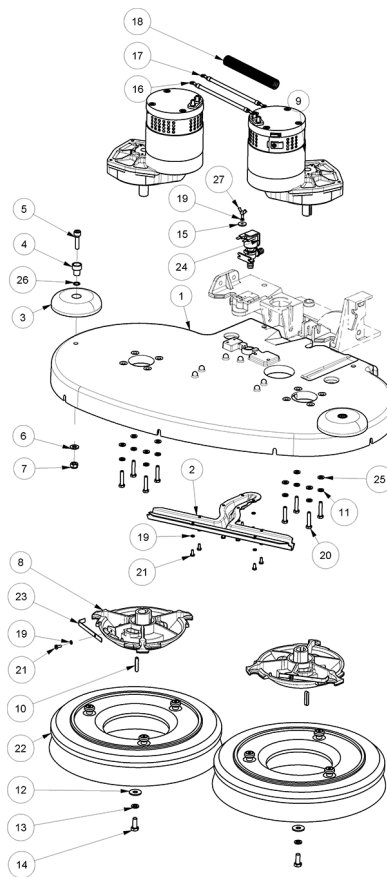
| Ref. K | Part n. | Part n. 2 | Description | Quantity | Validity | | Price |
|--------|-----------|-----------|--------------------------------|----------|----------|----|-------|
| | | | | | From | To | |
| 0001 | LAFN09431 | | BRACKET - | 1,00 | | | -- |
| 0002 | LAFN11042 | | LEVER - | 1,00 | | | -- |
| 0003 | VTRS00245 | | WASHER D.6 UNI 6592 INOX | 6,00 | | | -- |
| 0004 | VTVT13939 | | SCREW TE 6X20 UNI5739 INX | 3,00 | | | -- |
| 0005 | VTDD15518 | | NUT M 6 INX | 3,00 | | | -- |
| 0006 | MOCC00448 | | ACTUATOR CT51-71 XP | 1,00 | | | -- |
| 0007 | VTRS13947 | | WASHER D. 8 INX UNI 6592 | 1,00 | | | -- |
| 0008 | VTVT01009 | | SCREW 8X60 | 1,00 | | | -- |
| 0009 | VTVR00634 | | PIN 8X40X2 | 1,00 | | | -- |
| 0010 | VTDD01695 | | NUT M 8 INX | 2,00 | | | -- |
| 0011 | VTRS00274 | | WASHER NYLON 66 D.8,4-17-2 UNI | 4,00 | | | -- |
| 0012 | MLML00349 | | SPRING - | 1,00 | | | -- |
| 0013 | MLML00479 | | SPRING - | 1,00 | | | -- |
| 0014 | LAFN11051 | | PIN ACTUATOR BRUSH HEAD CT51 | 1,00 | | | -- |
| 0015 | VTAE00013 | | SEEGER RADIALE UNI 7434 D.8 | 2,00 | | | -- |
| 0016 | VTVR47052 | | SPLIT PIN AR DIAM.FILO 2 | 1,00 | | | -- |
| 0017 | VTRS15523 | | WASHER D.10 X21 INOX UNI 6592 | 2,00 | | | -- |
| 0018 | CMCV00475 | | CABLE STEEL SAFETY CT51-71 | 1,00 | | | -- |
| 0019 | VTRS13946 | | WASHER D. 8 X24 INX UNI 6593 | 1,00 | | | -- |
| 0020 | VTVT00842 | | SCREW | 1,00 | | | -- |
| 0021 | MPVR11573 | | GUIDE CT51-71 | 1,00 | | | -- |



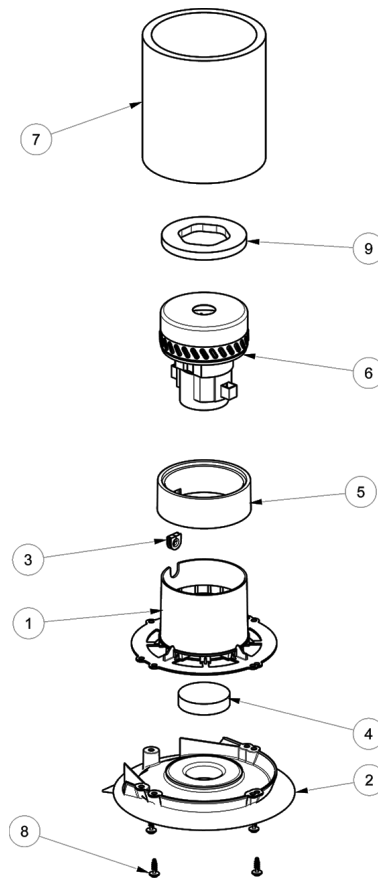
| Ref. K | Part n. | Part n. 2 | Description | Quantity | Validity | | Price |
|--------|-----------|-----------|----------------------------------|----------|----------|----|-------|
| | | | | | From | To | |
| 0001 | RTRT00576 | | WHEEL D.50X17 - HOLE 10.5 | 1,00 | | | -- |
| 0002 | MPVR06501 | | SPACER | 1,00 | | | -- |
| 0003 | VTRS00245 | | WASHER D.6 UNI 6592 INOX | 1,00 | | | -- |
| 0004 | VTVT15145 | | SCREW TE 6X40 UNI5739 INX | 1,00 | | | -- |
| 0005 | VTDD01694 | | NUT M6 INOX | 1,00 | | | -- |
| 0006 | VTRS21116 | | WASHER D. 3 INX | 4,00 | | | -- |
| 0007 | VTVT00021 | | SCREW TE UNI 5739 3X25 ZB | 2,00 | | | -- |
| 0008 | VTDD00210 | | NUT M 3 AUTOBL.DIN 985 IX.A2 | 2,00 | | | -- |
| 0009 | VTVT01321 | | SCREW TE 8X90 UNI5739 | 2,00 | | | -- |
| 0010 | VTRS15146 | | WASHER GROVER A2 UNI1751 | 4,00 | | | -- |
| 0011 | VTDD00057 | | NUT UNI 5589 M8 BASSO ZB | 2,00 | | | -- |
| 0012 | VTRS13946 | | WASHER D. 8 X24 INX UNI 6593 | 2,00 | | | -- |
| 0013 | LAFN11002 | | SPACER - | 2,00 | | | -- |
| 0014 | MPVR04164 | | SMALL KNOB YELLOW M8 F | 2,00 | | | -- |
| 0015 | LAFN09418 | | HOOK BRUSH HEAD CT51 | 1,00 | | | -- |
| 0016 | VTVT00766 | | SCREW TE M. 5-25 | 2,00 | | | -- |
| 0017 | VTDD15517 | | NUT M 5 INX | 2,00 | | | -- |
| 0018 | LAFN09419 | | PIN - | 1,00 | | | -- |
| 0019 | LAFN11089 | | SPACER - | 2,00 | | | -- |
| 0020 | VTVT00427 | | SCREW TSPEI 8X35 UNI5933 INX | 1,00 | | | -- |
| 0021 | VTDD01701 | | NUT M8 INOX+ZIN. | 1,00 | | | -- |
| 0022 | VTVT00474 | | SCREW TSCE uni 5933 4x12 ZB | 2,00 | | | -- |
| 0023 | VTRS15144 | | WASHER D. 6 INX GRW UNI 1751 | 2,00 | | | -- |
| 0024 | VTDD15925 | | NUT M 4 INX+ZIN | 2,00 | | | -- |
| 0025 | MECB01947 | | WIRING BOARD BRUSH HEAD CT51-71 | 1,00 | | | -- |
| 0026 | MECB01946 | | WIRING BRUSH HEAD MOTORS CT51-71 | 1,00 | | | -- |
| 0027 | MLML00348 | | SPRING - | 2,00 | | | -- |
| 0028 | VTRS00516 | | WASHER D. 5 INX | 2,00 | | | -- |
| 0029 | MECB02024 | | WIRING BRUSH MOTOR THERMAL CON. | 1,00 | | | -- |



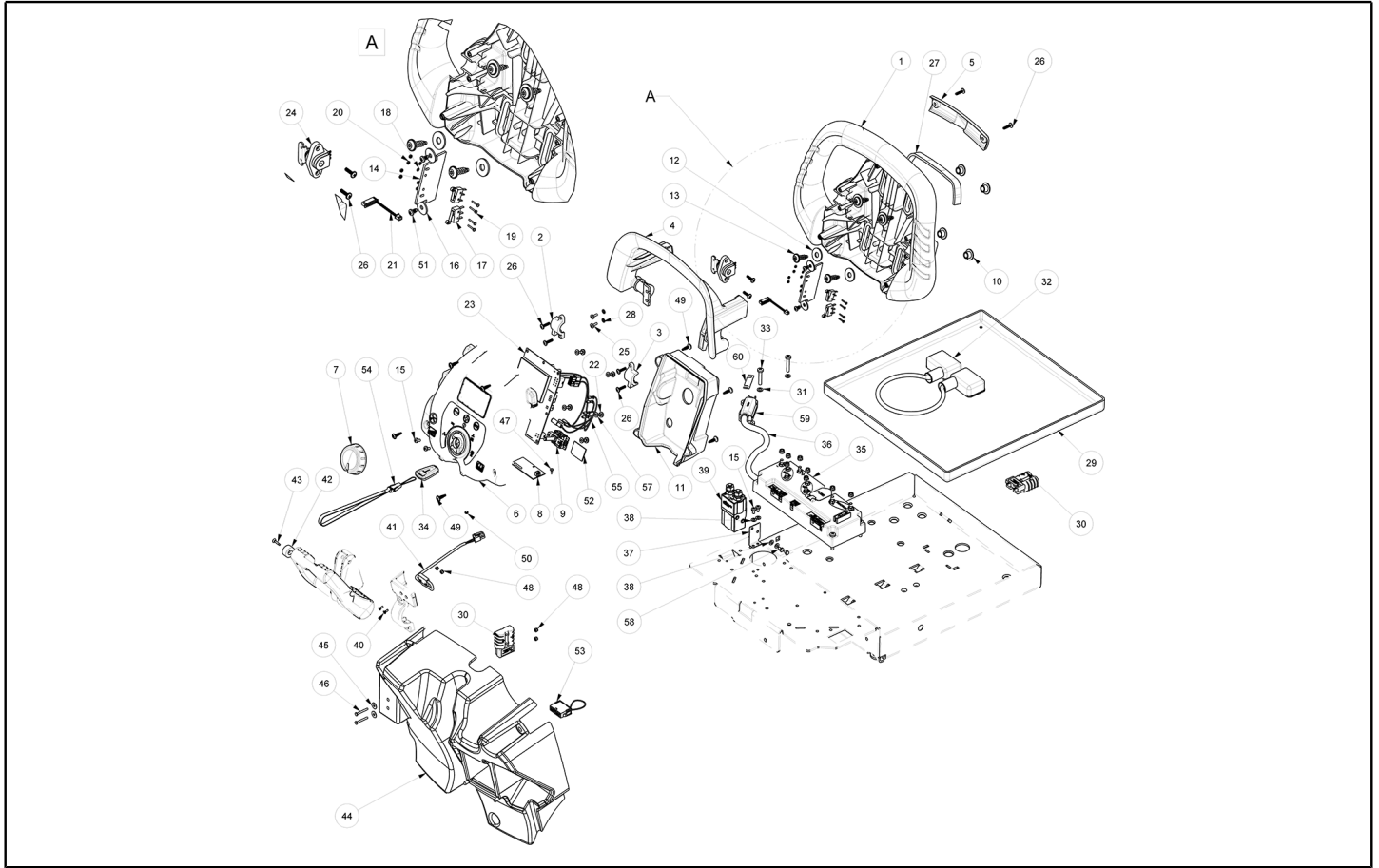
| Ref. K | Part n. | Part n. 2 | Description | Quantity | Validity | | Price |
|--------|-----------|-----------|--------------------------------|----------|----------|----|-------|
| | | | | | From | To | |
| 0001 | MOCC00465 | | MOTOR TRACTION 24V 200W | 1,00 | | | -- |
| 0001 | MOCC00022 | | CARBON FOR MOCC86902-MOCC00395 | 1,00 | | | -- |
| 0002 | LAFN09453 | | SUPPORT TRACTION MOTOR CT51 | 2,00 | | | -- |
| 0003 | VTAE06193 | | CIRCLIP D. 20 UNI 7435 | 2,00 | | | -- |
| 0004 | RTRT00546 | | WHEEL D.200 | 2,00 | | | -- |
| 0005 | VTRS13947 | | WASHER D. 8 INX UNI 6592 | 4,00 | | | -- |
| 0006 | VTVT01589 | | SCREW M8X40 UNI933 A2 | 2,00 | | | -- |
| 0007 | VTDD01701 | | NUT M8 INOX+ZIN. | 6,00 | | | -- |
| 0008 | VTVT15916 | | SCREW TE M 8X 16 UNI 5739 A2 | 4,00 | | | -- |
| 0009 | VTVR00566 | | KEY 6X10X40 UNI 6604 A (H.10) | 2,00 | | | -- |
| 0010 | VTRS15146 | | WASHER GROVER A2 UNI1751 | 2,00 | | | -- |
| 0011 | VTRS13946 | | WASHER D. 8 X24 INX UNI 6593 | 2,00 | | | -- |
| 0012 | MPVR10760 | | FLAP TRACTION MOTOR CT51 | 1,00 | | | -- |
| 0013 | VTVT01300 | | SCREW TE M5X12 INOX | 4,00 | | | -- |
| 0014 | VTVT00992 | | SCREW M8x55 INOX | 2,00 | | | -- |
| 0015 | VTRS13750 | | WASHER D. 5X14 INX | 4,00 | | | -- |
| 0016 | VTDD01693 | | NUT M 5 INX | 4,00 | | | -- |



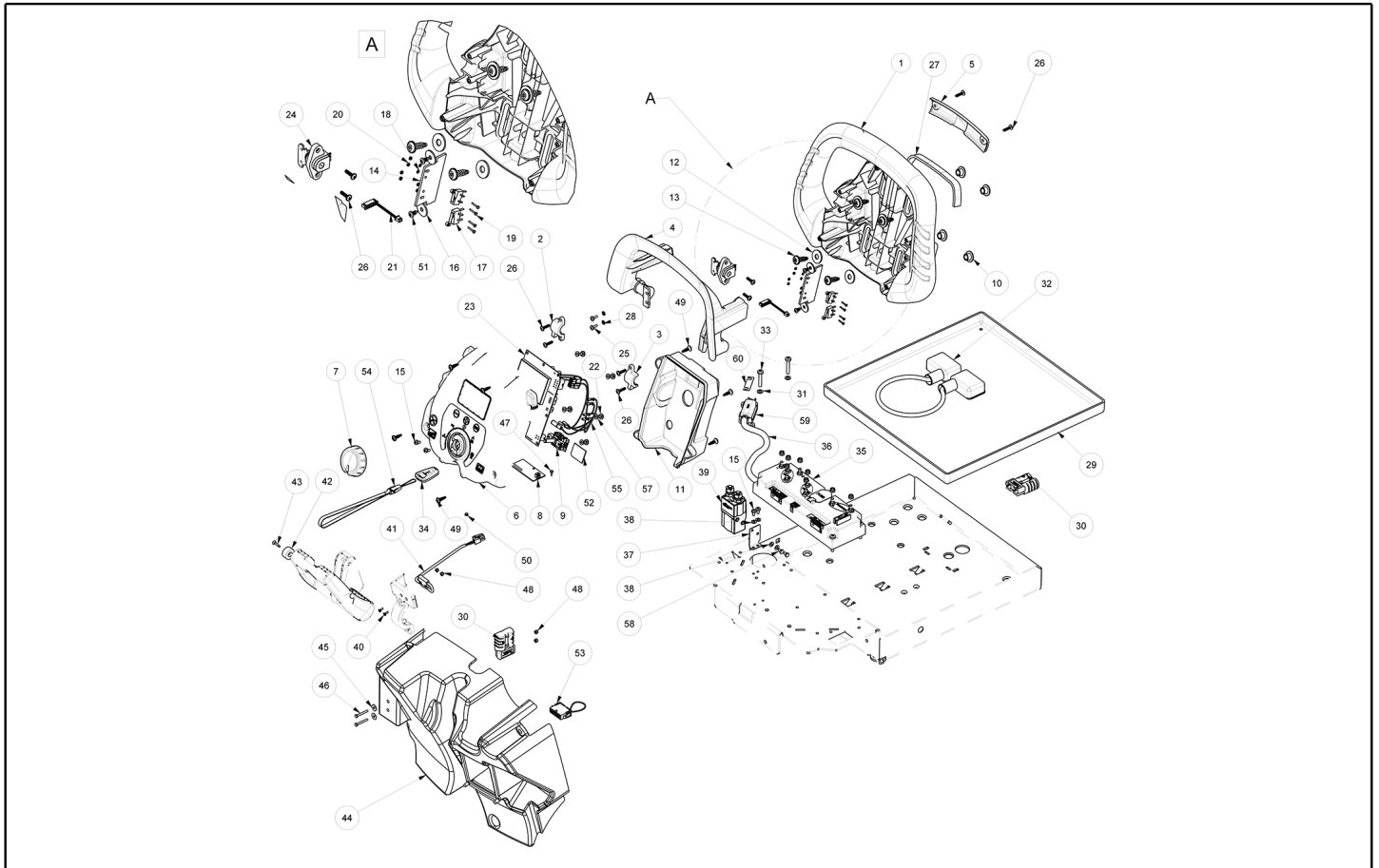
| Ref. K | Part n. | Part n. 2 | Description | Quantity | Validity | | Price |
|--------|-----------|-----------|------------------------------------|----------|----------|----|-------|
| | | | | | From | To | |
| 0001 | MFVR00239 | | BRUSH DECK ALUMINIUM CT51 BT70 | 1,00 | | | -- |
| 0002 | MPVR06489 | | DISTRIBUTOR WATER CT51 BT70 | 1,00 | | | -- |
| 0003 | MPVR05290 | | ROLLER SIDE BUMPER WHEEL | 2,00 | | | -- |
| 0004 | LAFN03915 | | BUSHING NUOVO RUOTINO STRONG | 2,00 | | | -- |
| 0005 | VTVT00822 | | SCREW TCEI M 8-30 | 2,00 | | | -- |
| 0006 | VTRS13947 | | WASHER D. 8 INX UNI 6592 | 2,00 | | | -- |
| 0007 | VTDD01695 | | NUT M 8 INX | 2,00 | | | -- |
| 0008 | MFVR00242 | | DRIVE DISK CONICAL ALUMINIUM | 2,00 | | | -- |
| 0009 | MOCC00450 | | MOTOR BRUSH CT51-71 BT60-70 | 2,00 | | | -- |
| 0009 | MEVR02923 | | CARBON MOCC00449-MOCC00450 | 1,00 | | | -- |
| 0010 | VTVR16617 | | KEY 6X 6X30 UNI 6604 | 2,00 | | | -- |
| 0011 | VTRS15144 | | WASHER D. 6 INX GRW UNI 1751 | 8,00 | | | -- |
| 0012 | VTRS13946 | | WASHER D. 8 X24 INX UNI 6593 | 2,00 | | | -- |
| 0013 | VTRS15146 | | WASHER GROVER A2 UNI1751 | 2,00 | | | -- |
| 0014 | VTVT13938 | | SCREW TE 8X20 UNI5739 INX | 2,00 | | | -- |
| 0015 | VTRS00251 | | WASHER 4-16 INOX A2 | 1,00 | | | -- |
| 0016 | MECB01014 | | CABLE 6,5mmq | 1,00 | | | -- |
| 0017 | MECB02008 | | WIRING L320 RED W/TERMINALS | 1,00 | | | -- |
| 0018 | MEVR01577 | | FAIR-LEAD CT90 | 1,00 | | | -- |
| 0019 | VTRS15913 | | WASHER D. 4 GROVER A2 UNI1751 | 10,00 | | | -- |
| 0020 | VTVT00433 | | SCREW TE M 6X 30 UNI 5739 INX | 8,00 | | | -- |
| 0021 | VTVT21887 | | SCREW TCB-TC 4X10 8112 | 11,00 | | | -- |
| 0022 | SPPV01472 | | BRUSH PPL D.340 APC | 2,00 | | | -- |
| 0023 | MLML00350 | | SPRING - | 2,00 | | | -- |
| 0024 | MEEV00036 | | SOLENOID VALVE HOLE 8mm CLEAN TIME | 1,00 | | | -- |
| 0025 | VTRS00245 | | WASHER D.6 UNI 6592 INOX | 8,00 | | | -- |
| 0026 | GUGO00164 | | GASKET | 2,00 | | | -- |
| 0027 | VTVT01150 | | SCREW 4x10 | 1,00 | | | -- |



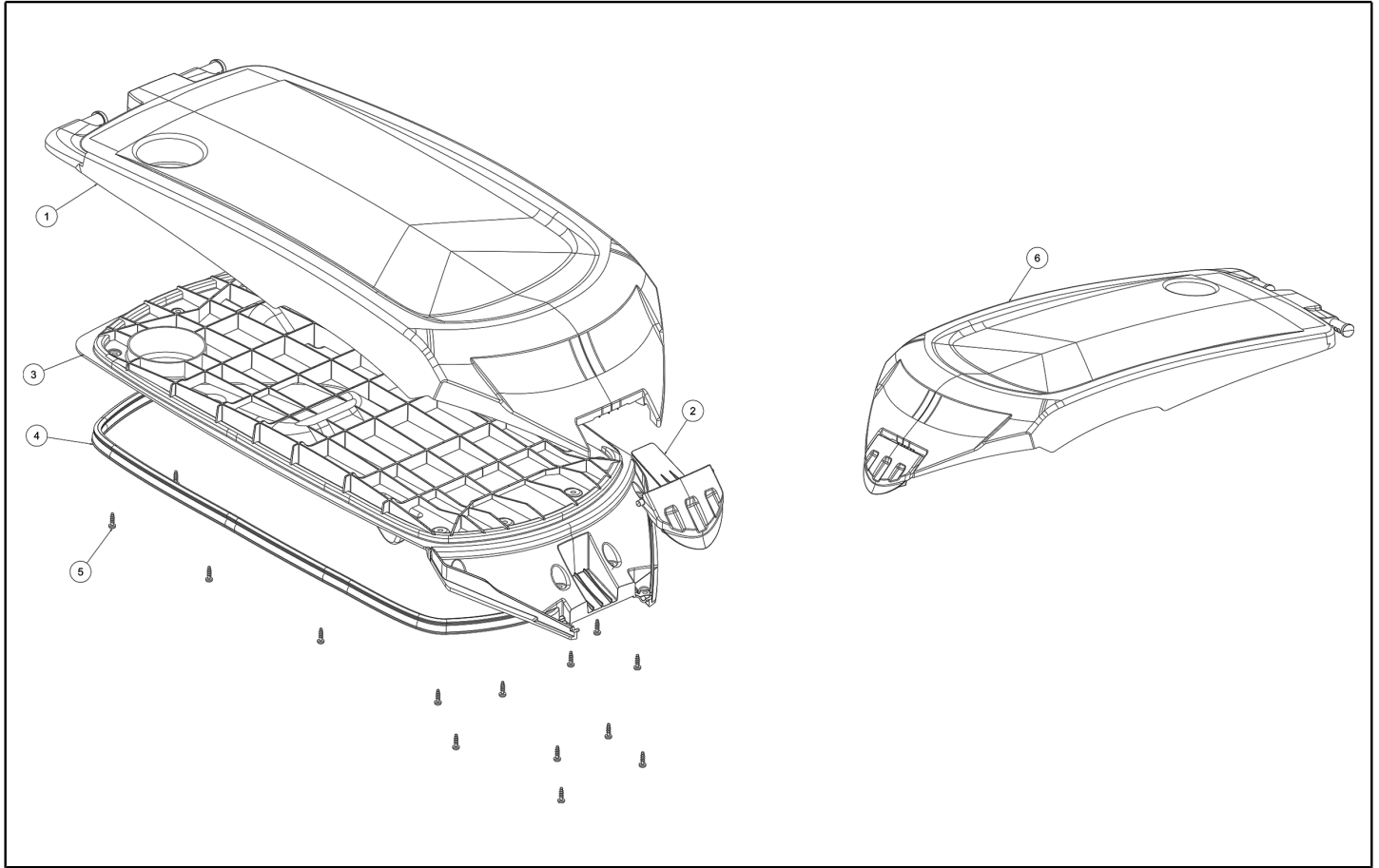
| Ref. K | Part n. | Part n. 2 | Description | Quantity | Validity | | Price |
|--------|-----------|-----------|------------------------------------|----------|------------|------------|-------|
| | | | | | From | To | |
| 0001 | MPVR06466 | | SUPPORT VACUUM MOTOR 2 ST.CT51-71 | 1,00 | | | -- |
| 0002 | MPVR06480 | | COVERING VACUUM MOTOR CT51-71 | 1,00 | | | -- |
| 0003 | GUGO00496 | | FAIR-LEAD 14-747 | 1,00 | | | -- |
| 0004 | FTAC00072 | | FILTER VACUUM INTAKE CT51 | 1,00 | | 04/07/2018 | -- |
| 0005 | GUGO00466 | | GASKET RUBBER VACUUM MOT. CT51 | 1,00 | | | -- |
| 0006 | MOCC00417 | | MOTOR VACUUM 24 2-STAGES | 1,00 | | 04/07/2018 | -- |
| 0006 | MEVR02377 | | CARBON BRUSHES FOR MOCC00401-407 | 1,00 | | 04/07/2018 | -- |
| 0006 | MOCC00349 | | MOTOR VACUUM 2 STAGES 24V | 1,00 | 05/07/2018 | | -- |
| 0006 | MEVR05200 | | CARBON BRUSH VACUUM 116599-XX | 1,00 | 05/07/2018 | | -- |
| 0007 | ITSO00076 | | SOUND-PROOFING VAC. MOTOR EXTERNAL | 1,00 | | | -- |
| 0008 | VTVT01427 | | SCREW STS KN1038 8x25 - T40 A2 | 4,00 | | | -- |
| 0009 | GUGO00509 | | GASKET VACUUM MOTOR CT51-71 | 1,00 | | | -- |



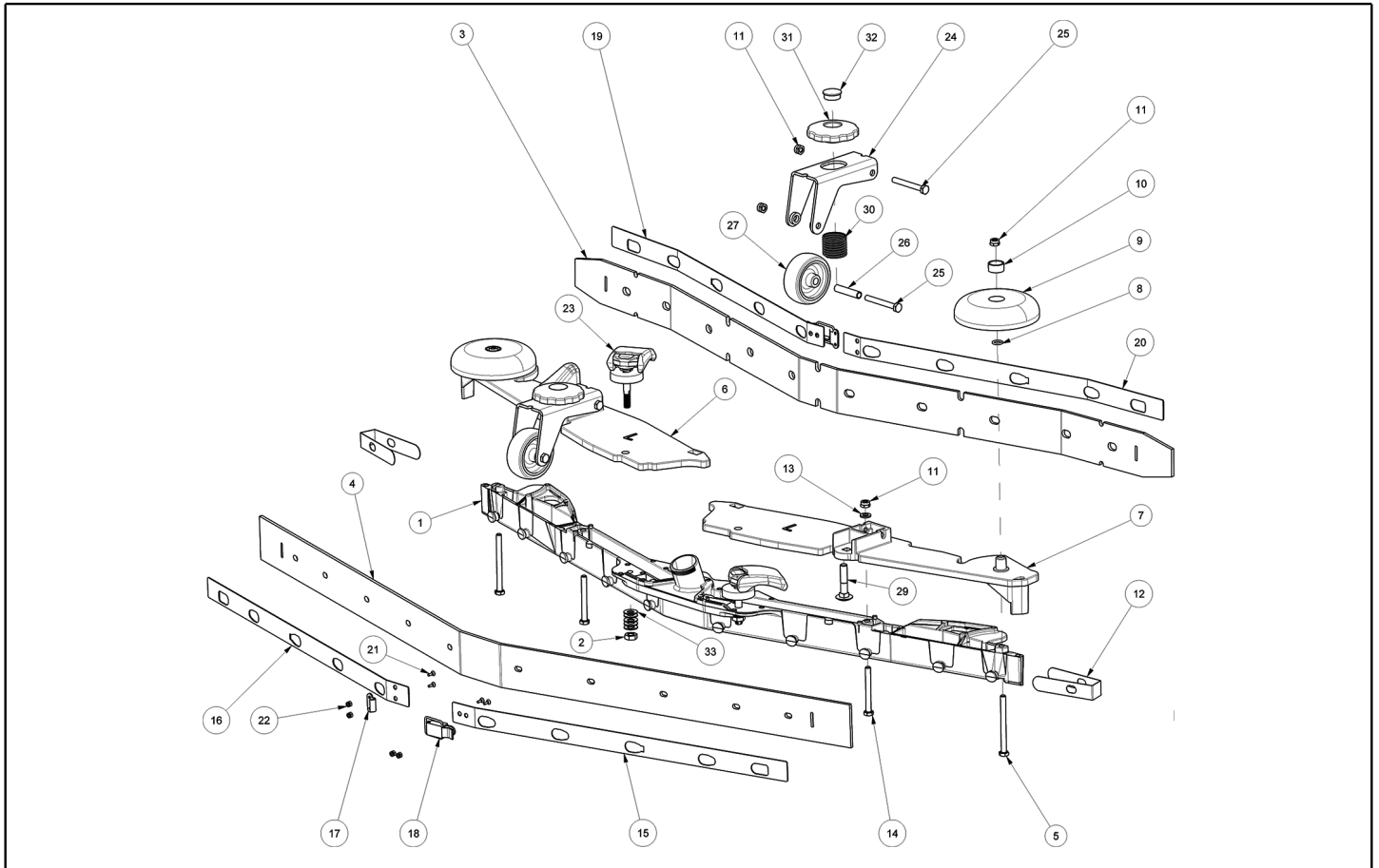
| Ref. K | Part n. | Part n. 2 | Description | Quantity | Validity | | Price |
|--------|-----------|-----------|----------------------------------|----------|------------|------------|-------|
| | | | | | From | To | |
| 0001 | MPVR06525 | | HANDLE GRIP CT51 | 1,00 | | | -- |
| 0002 | MPVR06528 | | SUPPORT - | 1,00 | | | -- |
| 0003 | MPVR07177 | | SUPPORT - | 1,00 | | | -- |
| 0004 | MPVR06526 | | LEVER DIRECTION CT51-71 | 1,00 | | | -- |
| 0005 | MPVR10694 | | CAP | 1,00 | | | -- |
| 0006 | MPVR10744 | | COVERING UPPER CT51-71 | 1,00 | | | -- |
| 0007 | MPVR06527 | | KNOB DIALER SELECTOR CT51-71 | 1,00 | | | -- |
| 0008 | MECE00743 | | BOARD KEY READER CT51-71 | 1,00 | | 23/07/2018 | -- |
| 0008 | MECE00804 | | BOARD KEY READER CT51-71 BT-XP | 1,00 | 24/07/2018 | | -- |
| 0009 | MECI00587 | | SELECTOR DIALER SWITCH CT51-71 | 1,00 | | | -- |
| 0010 | LAFN10998 | | BUSHING - | 4,00 | | | -- |
| 0011 | MPVR11640 | | COVERING CT51 | 1,00 | | | -- |
| 0012 | VTRS13946 | | WASHER D. 8 X24 INX UNI 6593 | 4,00 | | | -- |
| 0013 | VTVT01427 | | SCREW STS KN1038 8x25 - T40 A2 | 4,00 | | | -- |
| 0014 | MPVR11198 | | SPACER CT51/71 | 1,00 | | | -- |
| 0015 | VTVT00813 | | SCREW M 4X 8 TCB-TC UNI 8112 | 4,00 | | | -- |
| 0016 | VTRS00291 | | WASHER D. 5 X20 ZC UNI 6593 | 2,00 | | | -- |
| 0017 | MECI00588 | | MICROSWITCH - | 2,00 | | | -- |
| 0018 | VTRS00581 | | WASHER D.2 | 4,00 | | | -- |
| 0019 | VTVT01592 | | SCREW TC 2X12 | 4,00 | | | -- |
| 0020 | VTDD00213 | | NUT M2 | 4,00 | | | -- |
| 0021 | MECB01938 | | WIRING CONNECTION RFID REED | 1,00 | | 23/07/2018 | -- |
| 0021 | MECB02058 | | WIRING CONNECTION REED CT51-71 | 1,00 | 24/07/2018 | | -- |
| 0022 | VTVT01694 | | SCREW SELF TAPPING 4.8X9.5 SUS | 5,00 | | | -- |
| 0023 | MECE00745 | | BOARD DISPLAY CT51 BT-XP | 1,00 | | 23/07/2018 | -- |
| 0023 | MECE00810 | | BOARD DISPLAY CT51-71 BT-XP | 1,00 | 24/07/2018 | | -- |
| 0024 | MEVR02389 | | POTENTIOMETER WIG-WAG 45° CT51 | 1,00 | | | -- |
| 0025 | VTVT37012 | | SCREW M 4X 10 TCB-TC INX | 2,00 | | | -- |
| 0026 | VTVT01071 | | SCREW STS KN1031-Neu 4x16 - H2 | 8,00 | | | -- |
| 0027 | MPVR10772 | | GASKET | 1,00 | | | -- |
| 0028 | VTRS15913 | | WASHER D. 4 GROVER A2 UNI1751 | 2,00 | | | -- |
| 0029 | LAFN35588 | | BATTERY SUPPORT CT LINE | 1,00 | | | -- |
| 0030 | MEVR01079 | | PLUG M CB50 A 600V RD. | 1,00 | | | -- |
| 0031 | VTRS00516 | | WASHER D. 5 INX | 4,00 | | | -- |
| 0032 | MEVR34820 | | WIRING BATTERY BRIDGE W/TERMINAL | 1,00 | | | -- |
| 0033 | VTVT01440 | | SCREW | 4,00 | | | -- |
| 0034 | MEVR02391 | | KEY COMPLETE WITH RFID | 2,00 | | | -- |
| 0035 | MECE00786 | | BOARD TRACTION CT51-71 COMPLETE | 1,00 | | | -- |
| 0036 | MECB01919 | | WIRING MAIN HARNESS CT51 | 1,00 | | | -- |
| 0037 | LAFN11075 | | BRACKET - | 1,00 | | | -- |
| 0038 | VTRS00515 | | WASHER D. 4 INX | 4,00 | | | -- |
| 0039 | METT00085 | | CONTACTOR 100A | 1,00 | | | -- |
| 0040 | VTVT01070 | | SCREW TSTC M3X8 | 2,00 | | | -- |
| 0041 | MECI00626 | | SENSOR SQUEEGEE POSIT. CT51 | 1,00 | | | -- |



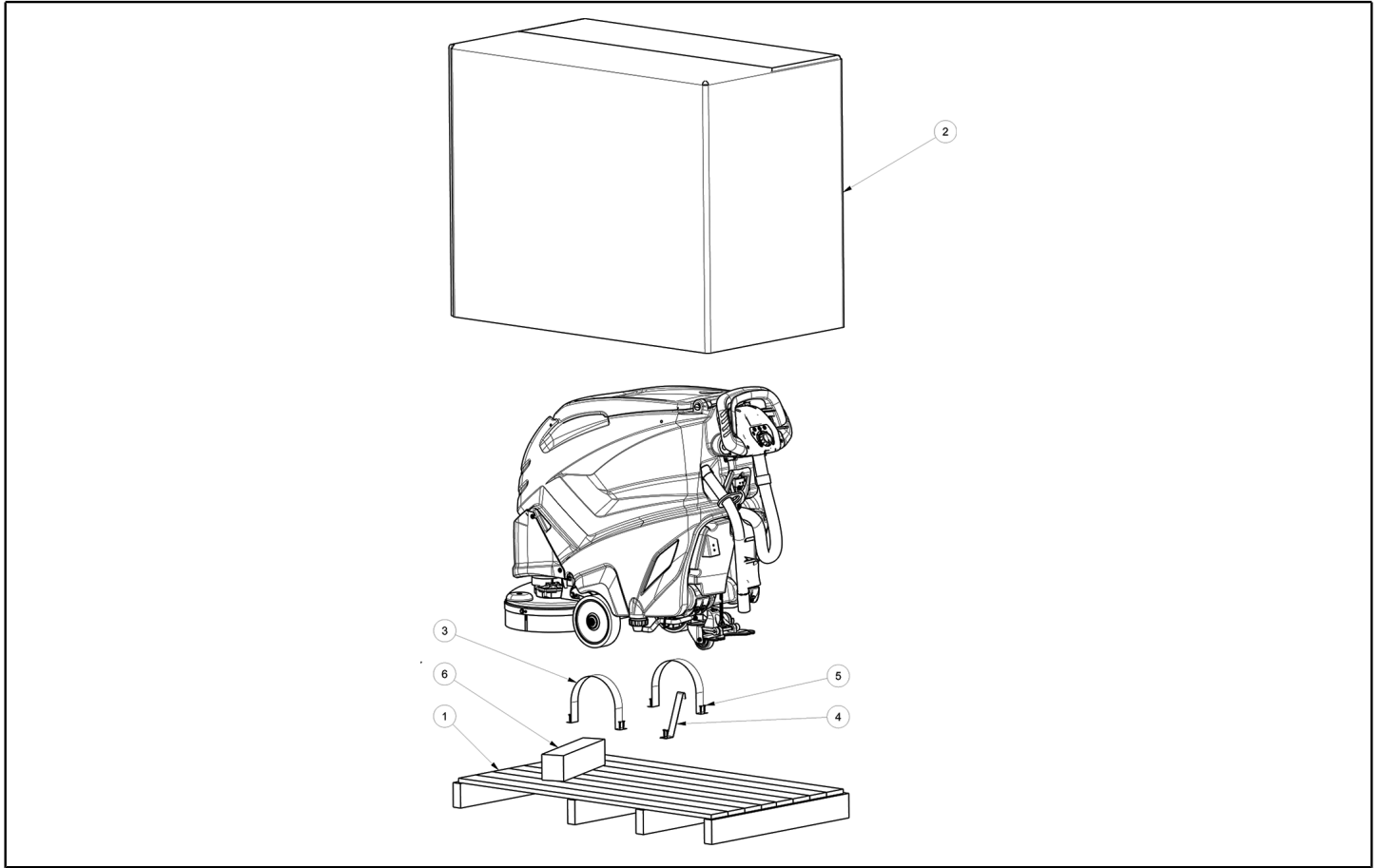
| Ref. K | Part n. | Part n. 2 | Description | Quantity | Validity | | Price |
|--------|-----------|-----------|--------------------------------|----------|----------|----|-------|
| | | | | | From | To | |
| 0042 | MEVR02381 | | MAGNET SQUEEGEE LEVER CT51 | 1,00 | | | -- |
| 0043 | VTVT17357 | | SCREW TSP-TC 3.9X16 UNI6955 | 1,00 | | | -- |
| 0044 | MPVR06467 | | COVER BATTERY CHARGER CT51-71 | 1,00 | | | -- |
| 0045 | VTRS00017 | | WASHER STEEL INOX 4X12 | 2,00 | | | -- |
| 0046 | VTVT00021 | | SCREW TE UNI 5739 3X25 ZB | 2,00 | | | -- |
| 0047 | VTVT00522 | | SCREW TCB-TC 2.9X 9.5 UNI6954 | 1,00 | | | -- |
| 0048 | VTDD00210 | | NUT M 3 AUTOBL.DIN 985 IX.A2 | 4,00 | | | -- |
| 0049 | VTVT01072 | | SCREW STS KN1038 5x16 - T20 A2 | 4,00 | | | -- |
| 0050 | MPVR10701 | | RUBBER KEY HOLD CT51 | 1,00 | | | -- |
| 0051 | VTVT48694 | | SCREW TCB TC 5 X12 UNI 9707 TZ | 2,00 | | | -- |
| 0052 | MEVR02097 | | SD-CARD - | 1,00 | | | -- |
| 0053 | MECB01981 | | WIRING BRIDGE CT51 W/O CHARGER | 1,00 | | | -- |
| 0054 | MPVR11496 | | CORD - | 1,00 | | | -- |
| 0055 | MECB02017 | | WIRING | 1,00 | | | -- |
| 0056 | VTDD01693 | | NUT M 5 INX | 8,00 | | | -- |
| 0057 | VTRS00570 | | WASHER - | 5,00 | | | -- |
| 0058 | VTVT01669 | | SCREW M4x6 UNI5739 znt cl.4.8 | 2,00 | | | -- |
| 0059 | MEVR02907 | | FUSE-HOLDER - | 1,00 | | | -- |
| 0060 | MEVR00604 | | FUSE | 1,00 | | | -- |



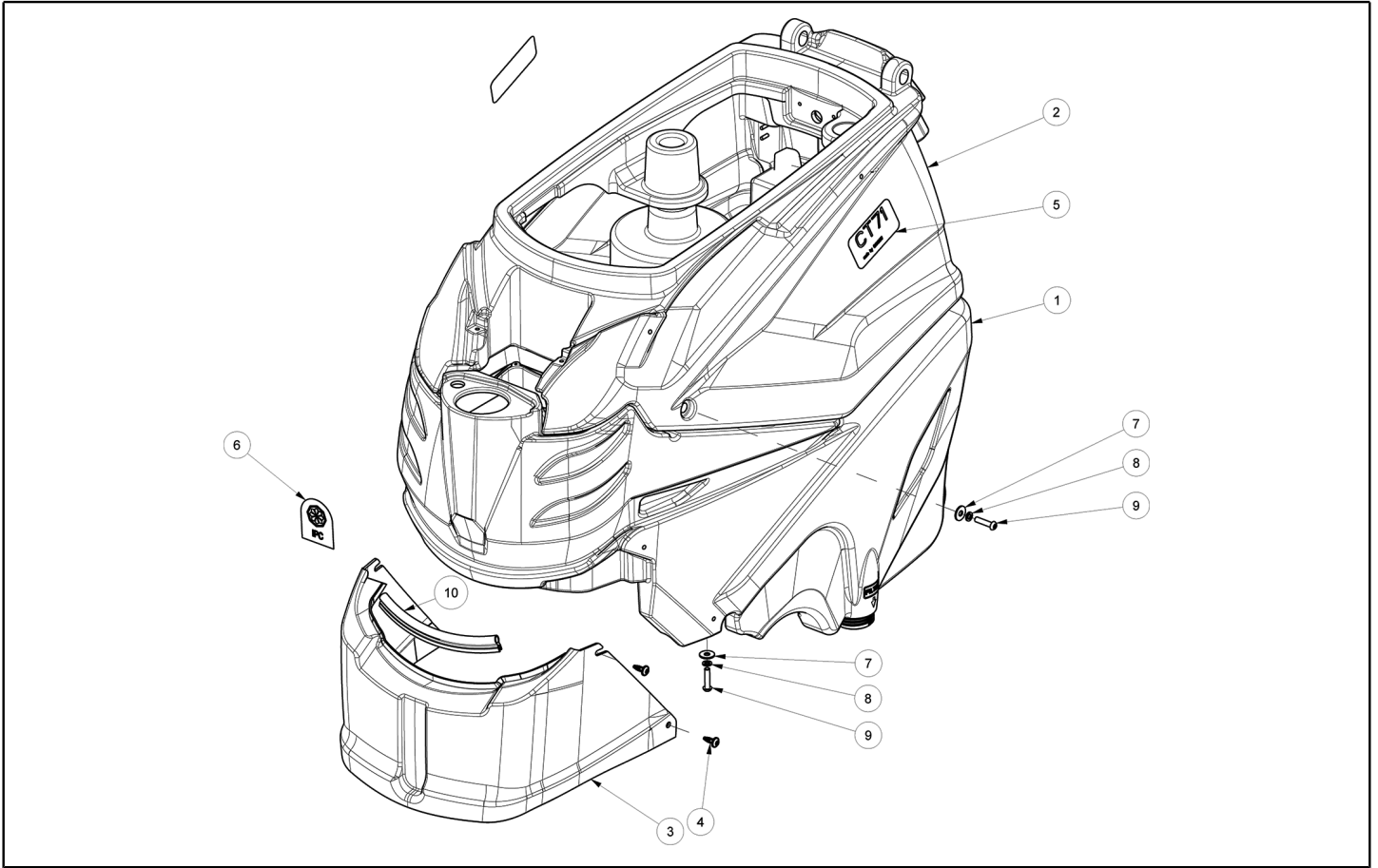
| Ref. K | Part n. | Part n. 2 | Description | Quantity | Validity | | Price |
|--------|-----------|-----------|----------------------------------|----------|----------|----|-------|
| | | | | | From | To | |
| 0001 | MPVR06476 | | COVER RECOVERY TANK EXTERNAL | 1,00 | | | -- |
| 0002 | MPVR06477 | | LEVER CLOSURE LID CT51 | 1,00 | | | -- |
| 0003 | MPVR10696 | | COVER RECOVERY TANK INTERNAL | 1,00 | | | -- |
| 0004 | GUVR01019 | | GASKET RECOVERY TANK LID CT51-71 | 1,00 | | | -- |
| 0005 | VTVT01072 | | SCREW STS KN1038 5x16 - T20 A2 | 17,00 | | | -- |
| 0006 | KTRI05239 | | KIT COVER RECOVERY TANK | 1,00 | | | -- |



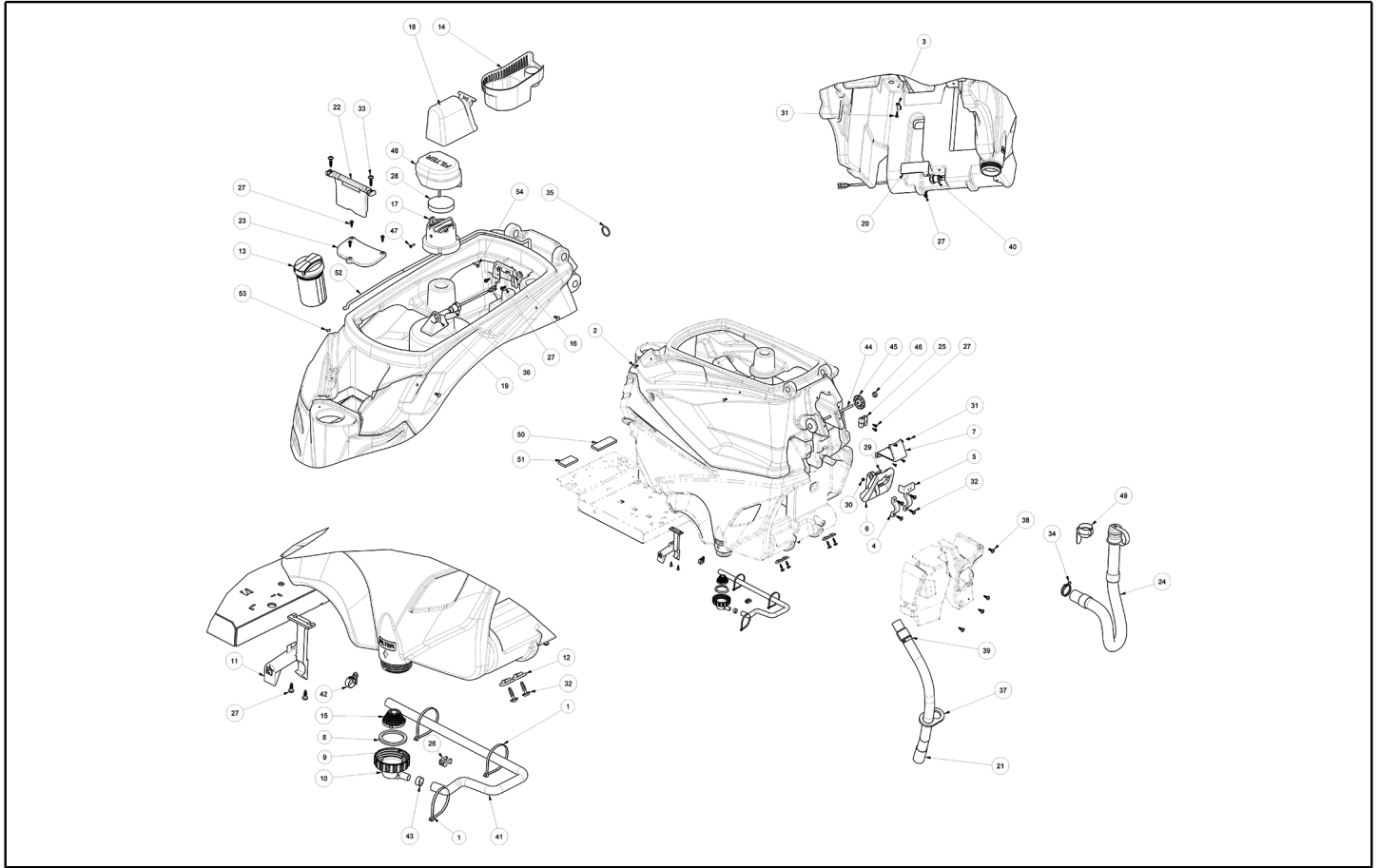
| Ref. K | Part n. | Part n. 2 | Description | Quantity | Validity | | Price |
|--------|-----------|-----------|----------------------------------|----------|------------|----|-------|
| | | | | | From | To | |
| 0001 | MFVR00318 | | BODY - | 1,00 | | | -- |
| 0002 | VTDD00530 | | NUT M8 UNI 5589 | 2,00 | | | -- |
| 0003 | MPVR08040 | | BLADE L LATEX | 1,00 | | | -- |
| 0004 | MPVR08036 | | BLADE L LATEX | 1,00 | | | -- |
| 0005 | VTVT00699 | | SCREW TE M. 6-70 | 2,00 | | | -- |
| 0006 | MPVR06493 | | PLATE PROTECTION SQUEEGEE L LH | 1,00 | | | -- |
| 0007 | MPVR06494 | | PLATE PROTECTION SQUEEGEE L RH | 1,00 | | | -- |
| 0008 | GUGO00164 | | GASKET | 2,00 | | | -- |
| 0009 | MPVR05290 | | ROLLER SIDE BUMPER WHEEL | 2,00 | | | -- |
| 0010 | MPVR49229 | | BUSHING SHK | 2,00 | | | -- |
| 0011 | VTDD01694 | | NUT M6 INOX | 8,00 | | | -- |
| 0012 | MPVR05898 | | CLOSURE L | 2,00 | | | -- |
| 0013 | VTRS00245 | | WASHER D.6 UNI 6592 INOX | 2,00 | | | -- |
| 0014 | VTVT00655 | | SCREW TE M. 6-55 | 2,00 | | | -- |
| 0015 | LAFN09286 | | SHEET METAL PA. - | 1,00 | | | -- |
| 0016 | LAFN09287 | | SHEET METAL PA. - | 1,00 | | | -- |
| 0017 | LAFN09301 | | SOCKET - | 2,00 | | | -- |
| 0018 | LAFN09302 | | CLOSURE - | 2,00 | | | -- |
| 0019 | LAFN09285 | | BLADE RETAINER FRONT L.H.S. L | 1,00 | | | -- |
| 0020 | LAFN09284 | | SHEET METAL PA. - | 1,00 | | | -- |
| 0021 | VTVT01070 | | SCREW TSTC M3X8 | 8,00 | | | -- |
| 0022 | VTDD00210 | | NUT M 3 AUTOBL.DIN 985 IX.A2 | 8,00 | | | -- |
| 0023 | PMVR06995 | | HOOKING SQUEEGEE CT51-71 | 2,00 | | | -- |
| 0024 | LAFN09471 | | SUPPORT CASTOR WHEEL NEW | 2,00 | | | -- |
| 0025 | VTVT15515 | | SCREW TE M 6X 50 INOX A2 | 4,00 | | | -- |
| 0026 | LAFN07534 | | SPACER 6x8 h37,5 | 2,00 | | | -- |
| 0027 | RTRT00398 | | WHEEL d.60 HOLE 8 | 2,00 | | | -- |
| 0028 | VTRS00383 | | WASHER - | 4,00 | | | -- |
| 0029 | VTVT01304 | | SCREW M 8X 40 TTQST UNI 5731 | 2,00 | | | -- |
| 0030 | MLML00473 | | SPRING - | 2,00 | | | -- |
| 0031 | MPVR06478 | | SMALL KNOB WHEEL ADJUSTMENT | 2,00 | | | -- |
| 0032 | MPVR06479 | | CAP POMELLO | 2,00 | | | -- |
| 0033 | MLML00493 | | DISC SPRINGS 16x8,2x0,9 DIN 2093 | 10,00 | 14/12/2017 | | -- |



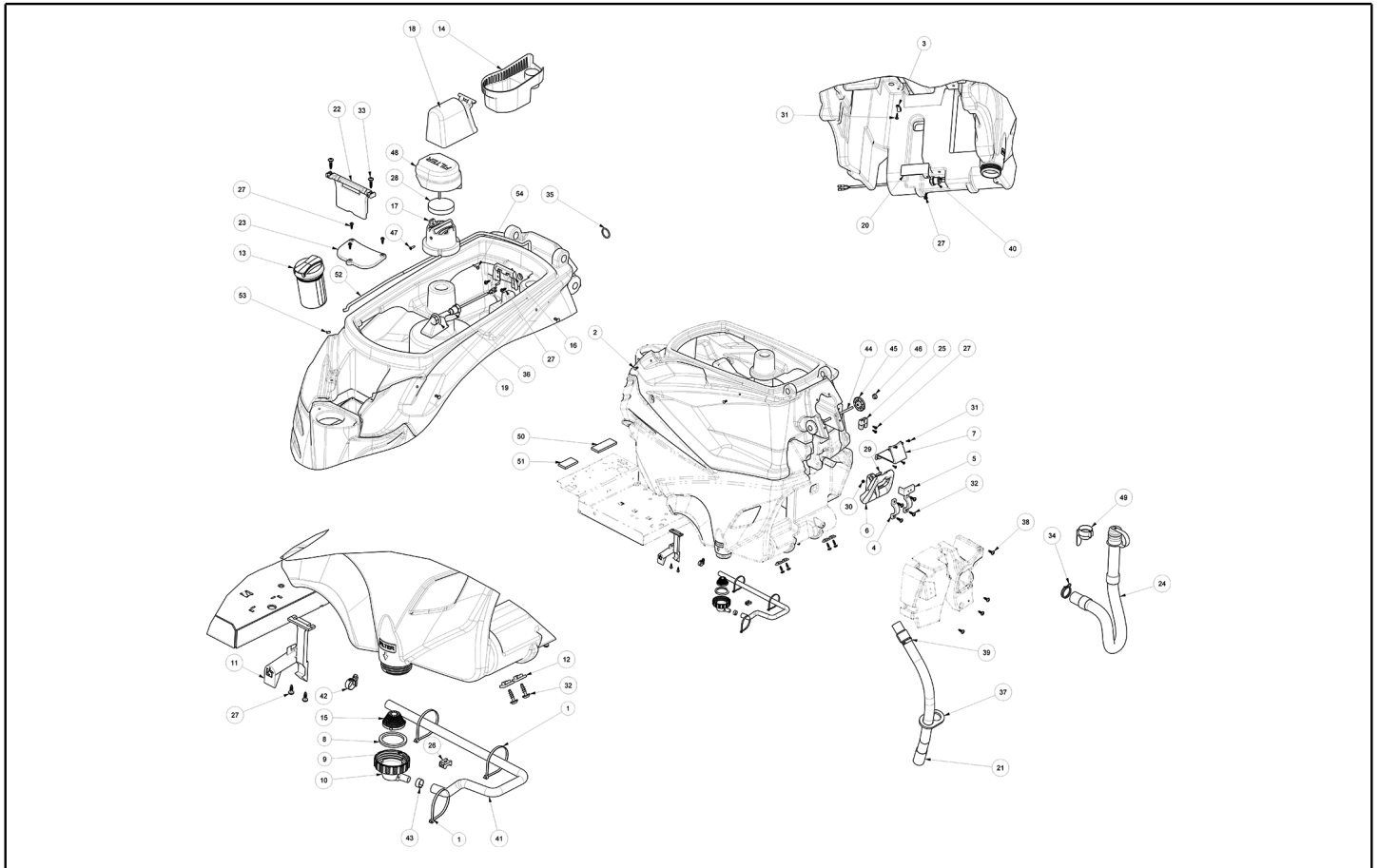
| Ref. K | Part n. | Part n. 2 | Description | Quantity | Validity | | Price |
|--------|-----------|-----------|-------------------------------------|----------|----------|----|-------|
| | | | | | From | To | |
| 0001 | MIBA00151 | | PALLET | 1,00 | | | -- |
| 0002 | MICT00704 | | CARTON | 1,00 | | | -- |
| 0003 | MIVR00135 | | CLAMP RUOTA POSTERIORE X IMBAL. | 2,00 | | | -- |
| 0004 | MIVR00269 | | BRACKET | 1,00 | | | -- |
| 0005 | VTVT00043 | | SCREW AUTOF.LEGNO 4,5X25 TS BR | 10,00 | | | -- |
| 0006 | MIVR00055 | | BODY SIDE INF. IN POLIST.400X100X90 | 1,00 | | | -- |



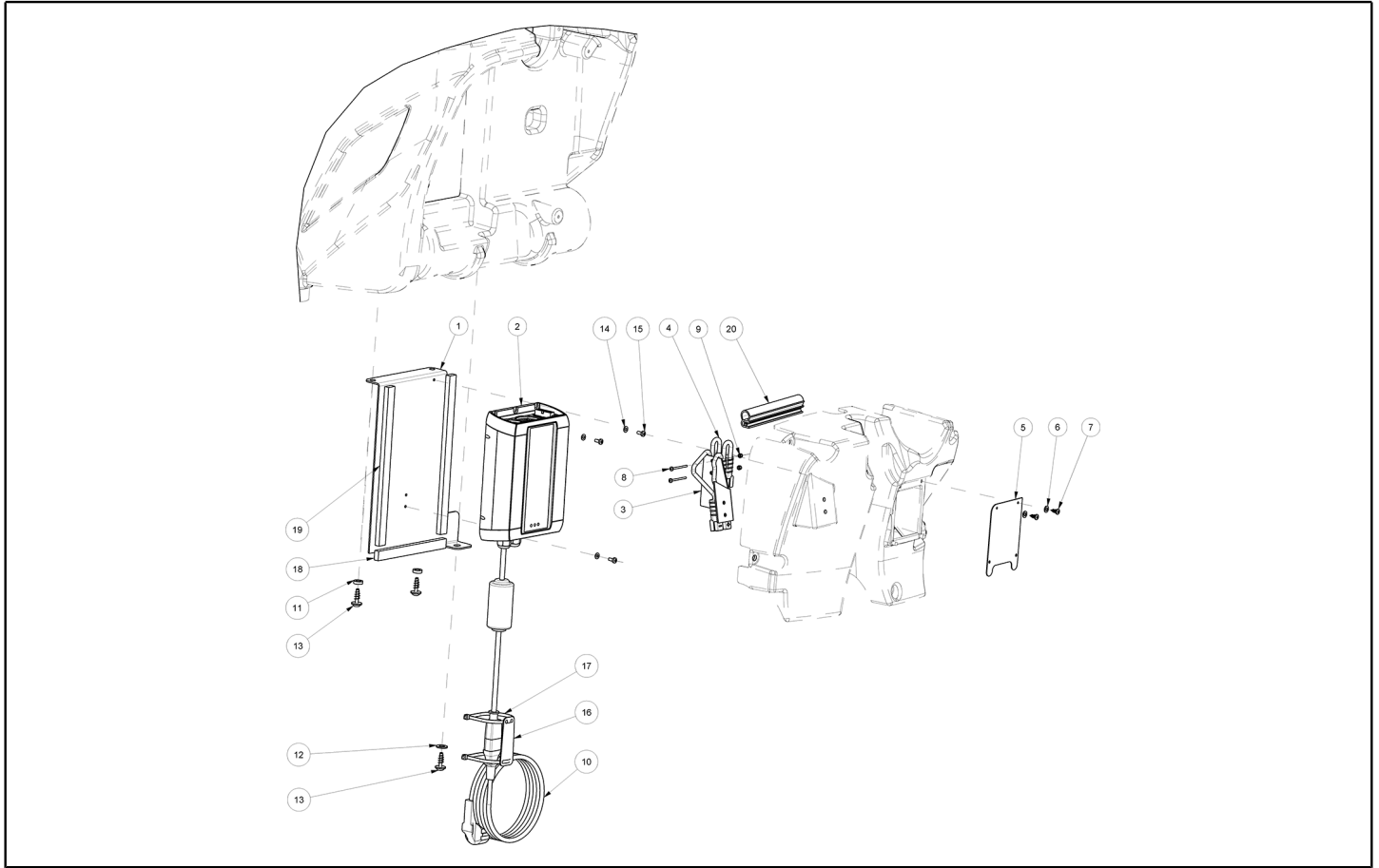
| Ref. K | Part n. | Part n. 2 | Description | Quantity | Validity | | Price |
|--------|-----------|-----------|------------------------------------|----------|----------|----|-------|
| | | | | | From | To | |
| 0001 | MPVR10766 | | TANK SOLUTION CT71 RAL7024 | 1,00 | | | -- |
| 0002 | MPVR10767 | | TANK RECOVERY CT71 GREEN P368C | 1,00 | | | -- |
| 0003 | MPVR06472 | | COVERING BRUSH MOTORS CT51-71 DISC | 1,00 | | | -- |
| 0004 | VTVT01430 | | SCREW STS KN1038 8x22 - T40 A2 | 4,00 | | | -- |
| 0005 | ETET20211 | | LABEL CT71 | 2,00 | | | -- |
| 0006 | ETET20091 | | LABEL - | 1,00 | | | -- |
| 0007 | VTRS13946 | | WASHER D. 8 X24 INX UNI 6593 | 4,00 | | | -- |
| 0008 | VTRS15146 | | WASHER GROVER A2 UNI1751 | 4,00 | | | -- |
| 0009 | VTVT01378 | | SCREW TBEI M8X35 | 4,00 | | | -- |
| 0010 | GUVR00160 | | GASKET RUBBERIZED | 0,24 | | | -- |



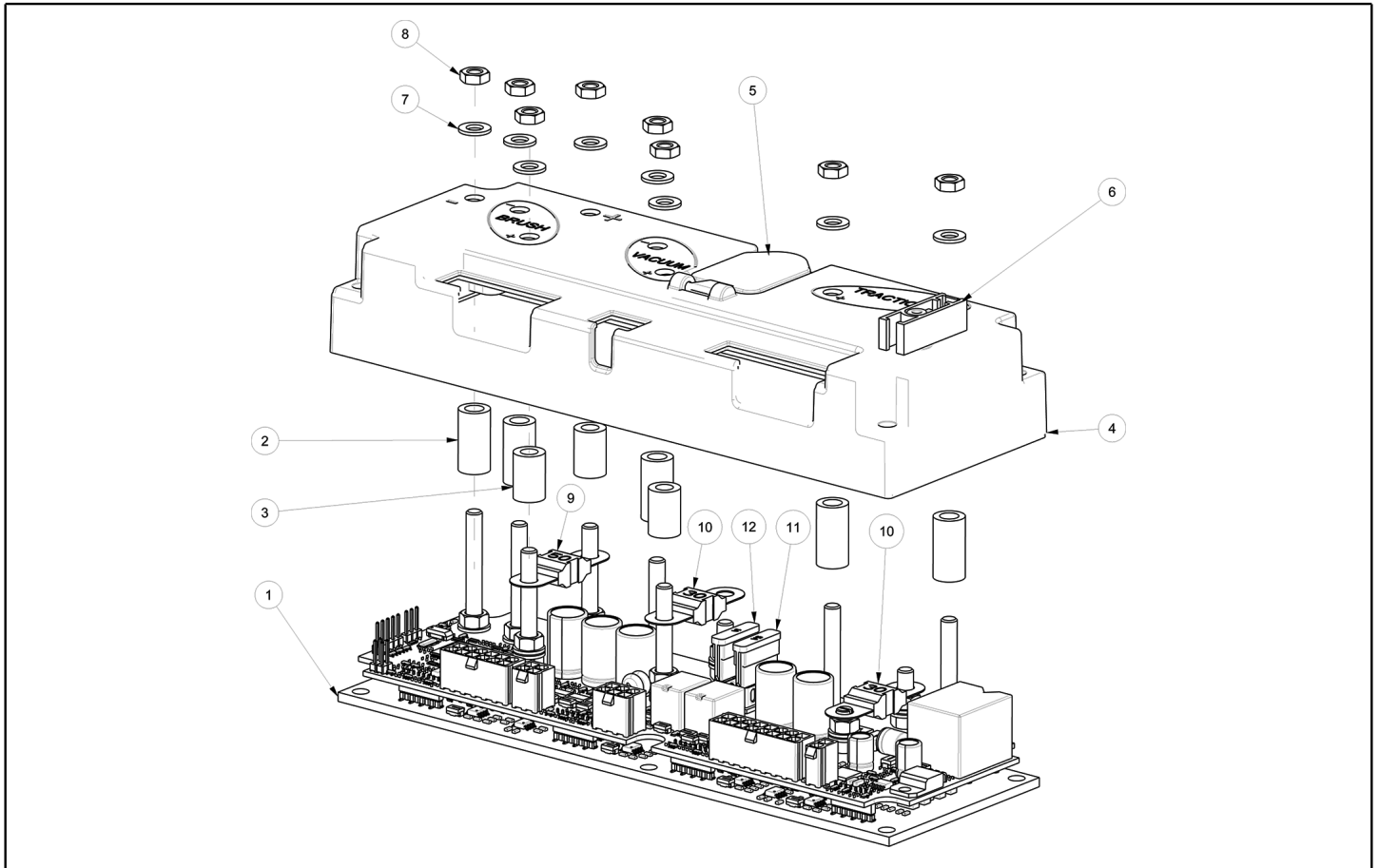
| Ref. K | Part n. | Part n. 2 | Description | Quantity | Validity | | Price |
|--------|-----------|-----------|-----------------------------------|----------|------------|----|-------|
| | | | | | From | To | |
| 0001 | FSVR00049 | | CLAMP 4,5x200 black | 3,00 | | | -- |
| 0002 | MPVR11355 | | CLIP | 2,00 | | | -- |
| 0003 | MPVR02933 | | DUCT LOCK D.9,5 | 1,00 | | | -- |
| 0004 | MPVR06470 | | PLATE - | 1,00 | | | -- |
| 0005 | MPVR10564 | | SUPPORT - | 1,00 | | | -- |
| 0006 | MPVR06469 | | HANDLE SQUEEGEE LIFTING CT51-71 | 1,00 | | | -- |
| 0007 | MPVR10571 | | FLANGE - | 1,00 | | | -- |
| 0008 | GUGO00478 | | GASKET SOLUTION FILTER CT51 | 1,00 | | | -- |
| 0009 | MPVR06561 | | CAP SOLUTION TANK CT51-71 | 1,00 | | | -- |
| 0010 | MPVR10566 | | HOSE FITTING SOLUTION FILTER CT51 | 1,00 | | | -- |
| 0011 | MPVR06475 | | LEVER TANK LOCKING CT51 | 1,00 | | | -- |
| 0012 | MPVR10562 | | SLIDE - | 4,00 | | | -- |
| 0013 | MPVR11497 | | CAP SOLUTION TANK | 1,00 | | | -- |
| 0014 | MPVR06490 | | FILTER DEBRIS COLLECTOR | 1,00 | | | -- |
| 0015 | MPVR10565 | | FILTER SOLUTION TANK CT51-71 | 1,00 | | | -- |
| 0016 | MPVR10576 | | SUPPORT - | 1,00 | | | -- |
| 0017 | MPVR11676 | | SUPPORT FILTER CT51-71 | 1,00 | | | -- |
| 0018 | MPVR06560 | | PROTECTION | 1,00 | | | -- |
| 0019 | MPVR11766 | | THICKNESS 110X40X8,5 | 1,00 | | | -- |
| 0020 | LAFN11043 | | BRACKET - | 1,00 | | | -- |
| 0021 | TBFX00353 | | TUBE SUCTION CT40-51-55-70-90 | 1,00 | | | -- |
| 0022 | MPVR10731 | | SUPPORT - | 1,00 | | | -- |
| 0023 | MPVR10732 | | COVER - | 1,00 | | | -- |
| 0024 | TBFX01069 | | TUBE DRAIN RECOVERY TANK CT51- | 1,00 | | | -- |
| 0025 | MPVR11684 | | JOINT TUBO | 1,00 | | | -- |
| 0026 | MPVR10765 | | SUPPORT FOR CLAMP | 1,00 | | | -- |
| 0027 | VTVT01073 | | SCREW STS KN1039 6x16 - T25 A2 | 10,00 | | | -- |
| 0028 | FTDP00678 | | FILTER VACUUM MOTOR CT51 | 1,00 | | | -- |
| 0029 | VTVT01714 | | SCREW TBEI 6X30 | 1,00 | | | -- |
| 0030 | VTDD01694 | | NUT M6 INOX | 1,00 | | | -- |
| 0031 | VTVT01072 | | SCREW STS KN1038 5x16 - T20 A2 | 5,00 | | | -- |
| 0032 | VTVT01427 | | SCREW STS KN1038 8x25 - T40 A2 | 8,00 | | | -- |
| 0033 | VTVT01429 | | SCREW STS KN1038 8x30 - T40 A2 | 2,00 | | | -- |
| 0034 | FSVR00262 | | CLAMP | 1,00 | | | -- |
| 0035 | MPVR11767 | | THICKNESS 75X40X8,5 | 1,00 | | | -- |
| 0036 | MECI00662 | | SENSOR LEVEL | 1,00 | 21/06/2018 | | -- |
| 0037 | MPVR04659 | | FLANGE | 1,00 | | | -- |
| 0038 | VTVT01430 | | SCREW STS KN1038 8x22 - T40 A2 | 4,00 | | | -- |
| 0039 | MPVR06119 | | CLAMP INDICATION , YELLOW | 1,00 | | | -- |
| 0040 | MECI00592 | | SENSOR SOLUTION TANK CT51-71 | 1,00 | | | -- |
| 0041 | TBFX48011 | | HOSE FLEX D.12X3 ARMORV.PVC TR | 1,00 | | | -- |
| 0042 | FSVR00428 | | CLAMP D. 12-20 | 1,00 | | | -- |
| 0043 | FSVR00261 | | CLAMP | 1,00 | | | -- |
| 0044 | VTVR01001 | | BAR | 1,00 | | | -- |



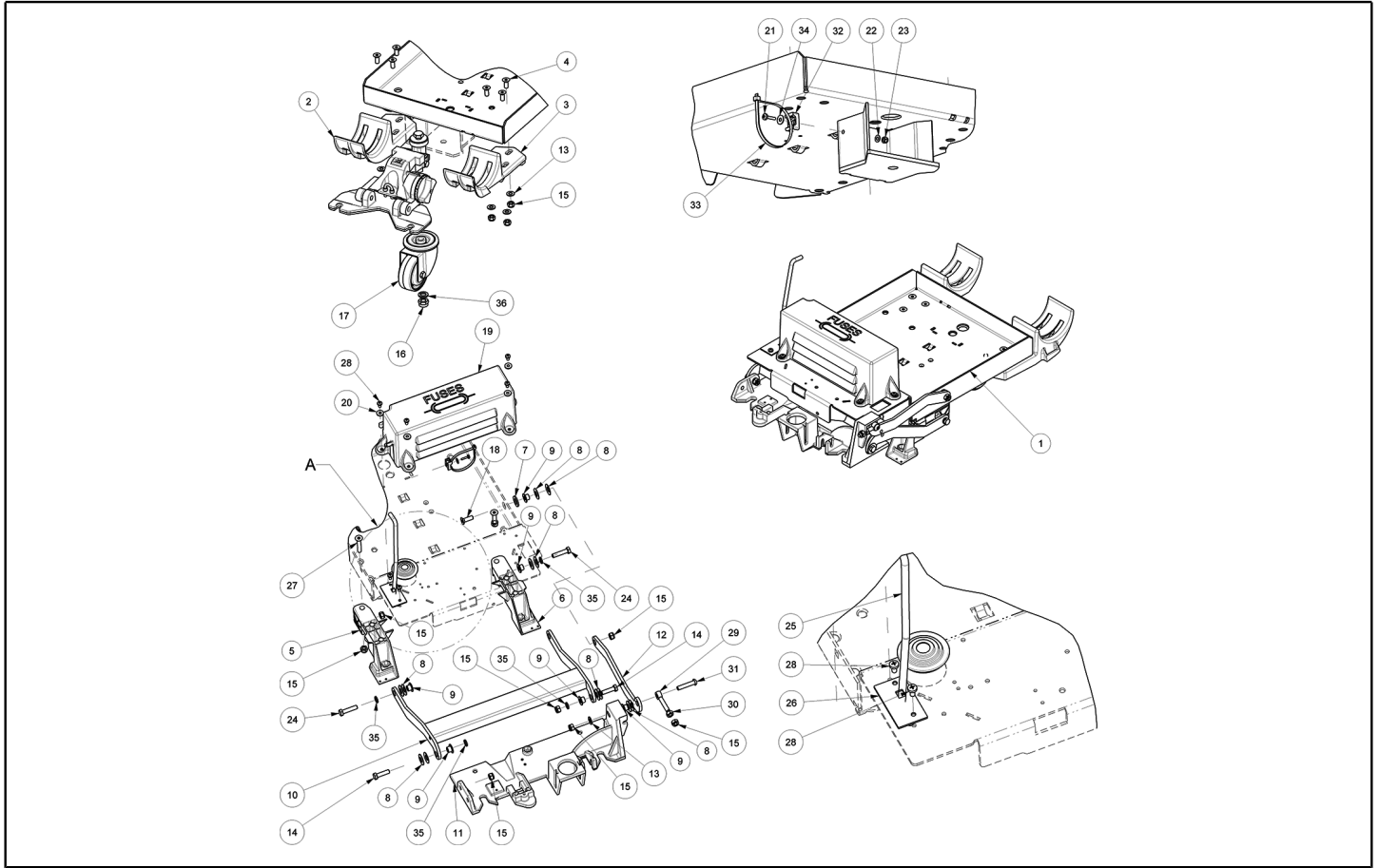
| Ref. K | Part n. | Part n. 2 | Description | Quantity | Validity | | Price |
|--------|-----------|-----------|------------------------------|----------|----------|----|-------|
| | | | | | From | To | |
| 0045 | MPVR06478 | | SMALL KNOB WHEEL ADJUSTMENT | 2,00 | | | -- |
| 0046 | MPVR06479 | | CAP POMELLO | 2,00 | | | -- |
| 0047 | VTVT00835 | | SCREW 4,5-20 DIN 7505-A INOX | 1,00 | | | -- |
| 0048 | MPVR11641 | | COVERING FILTER CT51 | 1,00 | | | -- |
| 0049 | MPVR01097 | | HOOK DRAIN HOSE | 1,00 | | | -- |
| 0050 | TBBP00476 | | TUBE - | 1,05 | | | -- |
| 0051 | VTVR00206 | | | 1,00 | | | -- |
| 0052 | VTVT01372 | | SCREW 4,8X25 | 1,00 | | | -- |



| Ref. K | Part n. | Part n. 2 | Description | Quantity | Validity | | Price |
|--------|-----------|-----------|-----------------------------------|----------|------------|----|-------|
| | | | | | From | To | |
| 0001 | LAFN08235 | | PLATE - | 1,00 | | | -- |
| 0002 | BACA00190 | | BATTERY-CHARGER CBHD1-XR 24-15 | 1,00 | | | -- |
| 0003 | LAFN11046 | | BRACKET - | 1,00 | | | -- |
| 0004 | MECB01964 | | WIRING CONNECTION CHARGER/BATT. | 1,00 | | | -- |
| 0005 | MPVR10745 | | PROTECTION TRANSPARENT POWER CORD | 1,00 | | | -- |
| 0006 | VTRS00516 | | WASHER D. 5 INX | 2,00 | | | -- |
| 0007 | VTVT48694 | | SCREW TCB TC 5 X12 UNI 9707 TZ | 2,00 | | | -- |
| 0008 | VTVT00691 | | | 2,00 | | | -- |
| 0009 | VTDD00210 | | NUT M 3 AUTOBL.DIN 985 IX.A2 | 2,00 | | | -- |
| 0010 | MECB00922 | | EXTENSION 3x0,75 SHUKO PLUG | 1,00 | | | -- |
| 0011 | VTRS00383 | | WASHER - | 2,00 | | | -- |
| 0012 | VTRS13947 | | WASHER D. 8 INX UNI 6592 | 1,00 | | | -- |
| 0013 | VTVT01430 | | SCREW STS KN1038 8x22 - T40 A2 | 3,00 | | | -- |
| 0014 | VTRS00515 | | WASHER D. 4 INX | 3,00 | | | -- |
| 0015 | VTVT21887 | | SCREW TCB-TC 4X10 8112 | 3,00 | | | -- |
| 0016 | MPVR11197 | | PLATE POWER CORD HOLDER | 1,00 | | | -- |
| 0017 | FSVR00049 | | CLAMP 4.5x200 black | 2,00 | | | -- |
| 0018 | GUGO00589 | | GASKET CT51 | 1,00 | | | -- |
| 0019 | GUGO00590 | | GASKET CT51 | 2,00 | | | -- |
| 0020 | GUVR00010 | | GASKET | 0,12 | 27/11/2018 | | -- |



| Ref. K | Part n. | Part n. 2 | Description | Quantity | Validity | | Price |
|--------|-----------|-----------|----------------------------------|----------|------------|------------|-------|
| | | | | | From | To | |
| 0001 | MECE00785 | | BOARD TRACTION CT51-71 | 1,00 | | 18/03/2020 | -- |
| 0001 | MECE00812 | | BOARD TRACTION CT51-71 RULLI | 1,00 | 19/03/2020 | | -- |
| 0002 | MPVR06501 | | SPACER | 5,00 | | | -- |
| 0003 | LAFN01298 | | SPACER PLASTIC 10X5,5X15 | 3,00 | | | -- |
| 0004 | MPVR11447 | | COVERING ELECTRONIC BOARD CT51BT | 1,00 | | | -- |
| 0005 | MPVR11448 | | COVER PLASTIC FUSE BOX CT51 | 1,00 | | | -- |
| 0006 | MEVR01153 | | FUSE EXTRACTOR | 1,00 | | | -- |
| 0007 | VTRS00516 | | WASHER D. 5 INX | 8,00 | | | -- |
| 0008 | VTDD00209 | | NUT M5 LOW UNI5589 | 8,00 | | | -- |
| 0009 | MEVR02105 | | FUSE 50A OMEGA FT3050 | 1,00 | | | -- |
| 0010 | MEVR02104 | | FUSE 30A OMEGA FT3030 | 2,00 | | | -- |
| 0011 | MEVR00565 | | FUSE 5A | 1,00 | | | -- |
| 0012 | MEVR00563 | | FUSE 1A | 1,00 | | | -- |



| Ref. K | Part n. | Part n. 2 | Description | Quantity | Validity | | Price |
|--------|-----------|-----------|-----------------------------------|----------|----------|----|-------|
| | | | | | From | To | |
| 0001 | LAFN09477 | | FRAME CT50/70 | 1,00 | | | -- |
| 0002 | MFVR00286 | | SUPPORT - | 1,00 | | | -- |
| 0003 | MFVR00287 | | SUPPORT - | 1,00 | | | -- |
| 0004 | VTVT01352 | | SCREW TSPEI M8X20 | 6,00 | | | -- |
| 0005 | MFVR00283 | | SUPPORT - | 1,00 | | | -- |
| 0006 | MFVR00284 | | SUPPORT - | 1,00 | | | -- |
| 0007 | VTRS15978 | | WASHER D.12X24 UNI 6592 INX | 1,00 | | | -- |
| 0008 | MLML00095 | | DISC SPRINGS 12,2x25x0,9 DIN 2093 | 12,00 | | | -- |
| 0009 | LAFN10998 | | BUSHING - | 6,00 | | | -- |
| 0010 | LAFN09420 | | ARM - | 1,00 | | | -- |
| 0011 | MFVR00240 | | BRACKET BRUSH HEAD SUPPORT CT51 | 1,00 | | | -- |
| 0012 | LAFN09421 | | LEVER - | 1,00 | | | -- |
| 0013 | VTRS13947 | | WASHER D. 8 INX UNI 6592 | 7,00 | | | -- |
| 0014 | VTVT00140 | | SCREW TE M8x30 | 2,00 | | | -- |
| 0015 | VTDD01695 | | NUT M 8 INX | 15,00 | | | -- |
| 0016 | VTDD00176 | | NUT M.12 INOX A2 BASSO AUTOB. | 1,00 | | | -- |
| 0017 | RTRT00518 | | WHEEL CASTOR D.80X30 | 1,00 | | | -- |
| 0018 | VTVT00781 | | SCREW TSPEI M.8-25 | 1,00 | | | -- |
| 0019 | MPVR06505 | | COVERING ELECTRONIC BOX CT51 | 1,00 | | | -- |
| 0020 | VTRS13750 | | WASHER D. 5X14 INX | 4,00 | | | -- |
| 0021 | VTVT01366 | | SCREW M4X16 | 1,00 | | | -- |
| 0022 | VTRS00515 | | WASHER D. 4 INX | 1,00 | | | -- |
| 0023 | VTDD00055 | | NUT M 4 ATB A2 | 1,00 | | | -- |
| 0024 | VTVT00017 | | SCREW TE UNI 5739 8X35 ZB | 2,00 | | | -- |
| 0025 | LAFN11014 | | PIN - | 1,00 | | | -- |
| 0026 | LAFN11077 | | PLATE - | 1,00 | | | -- |
| 0027 | VTVT01322 | | SCREW TSPEI 8X45 UNI5933 INX | 2,00 | | | -- |
| 0028 | VTVT01297 | | SCREW M 4X 8 TCB-TC UNI 8112 | 6,00 | | | -- |
| 0029 | VTVR00335 | | TIE ROD - | 1,00 | | | -- |
| 0030 | VTDD15521 | | NUT M 8 INX A2 UNI 5588 | 1,00 | | | -- |
| 0031 | VTVT01431 | | SCREW M8X40 | 1,00 | | | -- |
| 0032 | MPVR10765 | | SUPPORT FOR CLAMP | 1,00 | | | -- |
| 0033 | FSVR00049 | | CLAMP 4,5x200 black | 1,00 | | | -- |
| 0034 | VTRS00017 | | WASHER STEEL INOX 4X12 | 1,00 | | | -- |
| 0035 | VTRS15146 | | WASHER GROVER A2 UNI1751 | 4,00 | | | -- |
| 0036 | VTRS15919 | | WASHER D.12 GROVER UNI 1751 INX | 1,00 | | | -- |