

LT 800

Spare parts list

Rammer

LT 800

General information

This spare parts list applies to the following:

Part number	Description
967897001	Rammer LT 800 280 mm (11 in.)
967897002	Rammer LT 800 330 mm (13 in.)

Use only authorized parts. Any damage or malfunction caused by the use of unauthorized parts is not covered by Warranty or Product Liability. Any unauthorized use or copying of the contents or any part thereof is prohibited. This applies in particular to trademarks, model denominations, part numbers, and drawings.

Instructions for use

This spare parts list contains no safety regulations and is merely intended to assist in the ordering of spare parts.

For information about operating, servicing, or repairing, the relevant Safety and operating instructions must be consulted at all costs.

Please observe the safety instructions listed in the relevant Safety and operating instructions!

Kits and consumables	1
----------------------------	---

Preventative Maintenance Kits

Start Up Kit	3
Six months / Every 100 hours kit	5

Service, repair and wear part kits

Shock absorber repair kit	7
Transmission repair kit	9
Spring unit repair kit	11
Foot 280 mm (11 in.) repair kit	13
Foot 330 mm (13 in.) repair kit	15
Extended foot kit	17
Repair kit, Bellows	19

Spare parts list

Handle	21
Transmission	23
Spring unit	25
Foot 280 mm (11 in.)	27
Foot 330 mm (13 in.)	29
Extended foot	31
Engine installation	33
Labels	36

Kits and consumables

Service offers resume LT800	Item	Number	Description
Lubricants	1		Cobra & compactor Impact-OIL 1L
	2		Cobra Compactor Impact-Oil, 20x1 L (0.22 gal) (0.26 US gal)
	3		Can Paroil E Mission Green 5 Liter/1.32 Gallon
	4		Can Paroil E Mission Green 20 Liter/5.3 Gallon
	5		Can Paroil E Mission Green 210 Liter/55.5 Gallon
Preventive maintenance	6	594656801	Service kit, once a year
Wear&Repair Kits	7	594213701	Bellow repair kit
	8	594213301	Foot 280 mm (11 in) repair kit
	9	594590801	Foot 330 mm (13 in.) repair kit
	10	594655001	Repair kit, shock absorber
	11	594655201	Repair kit, spring unit
	12	594655101	Repair kit, transmission

Item	Part No.	Name	Qty	L
1	-	Cobra & compactor Impact-OIL 1L	1	
2	-	Can Paroil Mission green 20 Liter/5.3 Gallon	1	
3	-	Drum Paroil Mission green 210 Liter/55.5 Gallon	1	
4	-	Can Paroil Mission green 20 Liter/5.3 Gallon	1	
5	-	Drum Paroil Mission green 210 Liter/55.5 Gallon	1	
6	594656801	Service kit, once a year	1	
7	594213701	Bellow repair kit	1	
8	594213301	Foot 280 mm (11 in) repair kit	1	
9	594590801	Foot 330 mm (13 in.) repair kit	1	
10	594655001	Repair kit, shock absorber	1	
11	594655201	Repair kit, spring unit	1	
12	594655101	Repair kit, transmission	1	

Preventative Maintenance Kits Start Up Kit

NO EXPLODED VIEW
AVAILABLE
FOR THIS BOM

Item	Part No.	Name	Qty	L
1	594218301	Start Up Kit	1	
2	594214701	Six months / Every 100 hours kit	1	
3	595130401	Product label	2	
4	594581601	Filter Element	2	
5	-	Cobra & compactor Impact-OIL 1L	2	

Preventative Maintenance Kits Six months / Every 100 hours kit

NO EXPLODED VIEW
AVAILABLE
FOR THIS BOM

Item	Part No.	Name	Qty	L
1	594214701	Six months / Every 100 hours kit	1	
2	595130401	Product label	2	
3	594581601	Filter Element	2	

Service, repair and wear part kits Shock absorber repair kit

NO EXPLODED VIEW
AVAILABLE
FOR THIS BOM

Item	Part No.	Name	Qty	L
1	594655001	Repair kit, shock absorber	1	
2	-	Nut, M8 x 1.25 mm A2K	8	
3	-	Screw, M8 x 20 mm 8.8 A2K	4	
4	-	Screw, M8 x 25 mm 8.8 A2K	4	
5	594468301	Shock absorber	2	
6	594516201	Cylindrical pin	4	

Service, repair and wear part kits Transmission repair kit

NO EXPLODED VIEW
AVAILABLE
FOR THIS BOM

Item	Part No.	Name	Qty	L
1	594655101	Repair kit, transmission	1	
2	594537401	Needle roller bearing	1	
3	594258501	Ball Bearing	1	
4	595144401	Circlip ring	1	
5	594537301	Needle roller bearing	1	
6	595045601	Snap ring	2	
7	594531701	Ball Bearing	2	
8	595353501	Internal circlip	2	
9	594537601	Sealing	1	
10	-	Nut, M12 x 1.25 mm A3K	1	
11	595355201	O-ring	1	
12	-	Screw, M10 x 25 mm 8.8 A3K	4	
13	595117701	O-Ring	1	
14	-	Washer, 10.5 x 22 x 2 mm, 0.41 x 0.87 x 0.08 in. 300 HV	4	
15	-	Screw, M10 x 35 mm 8.8 A3K	4	
16	-	Washer, 8.4 x 26 x 3 mm, 0.33 x 1.02 x 0.12 in.	1	
17	-	Screw, M8 x 25 mm 8.8 A2K	1	

Service, repair and wear part kits Spring unit repair kit

NO EXPLODED VIEW
AVAILABLE
FOR THIS BOM

Item	Part No.	Name	Qty	L
1	594655201	Repair kit, spring unit	1	
2	594441801	Spring	2	
3	594441701	Spring	2	
4	594441901	Stop	1	
5	594442001	Stop	1	
6	-	Screw, M8 x 20 mm 8.8 A2K	6	
7	594455901	Gasket	1	
8	595047101	O-ring	1	
9	-	Washer, 8.7 x 14 x 1 mm, 0.32 x 0.04 in. Type A	6	
10	-	Fibre washer, 27 x 32 x 2 mm, 1.06 x 1.26 x 0.08 in.	1	

Service, repair and wear part kits Foot 280 mm (11 in.) repair kit

NO EXPLODED VIEW
AVAILABLE
FOR THIS BOM

Item	Part No.	Name	Qty	L
1	594590701	Foot 280 mm (11 in.) repair kit	1	
2	594451201	Ground plate	1	
3	594451001	Foot	1	
4	594517001	Screw, M8 x 50 mm NYLOK BLUE PATCH™(Known as TUF-LOK® in Europe)	8	A
5	-	Nut, M8 x 1.25 mm A2K	8	
6	594122401	Screw, M12 x 150 mm, 10.9, DIN608	2	B
7	594122201	Screw, M12 x 100 mm, 10.9, DIN608	2	B
8	594122301	Screw, M12 x 110 mm, 10.9, DIN608	2	B
9	-	Nut, M12 x 1.75 mm A3K	8	
10	-	Washer, 8.4 x 22 x 3 mm, 0.33 x 0.87 x 0.12 in. HV300	8	

Comments for Page: Foot 280 mm (11 in.) repair kit

A || NYLOK BLUE PATCH is a trademark of Nylok Corporation.

TUF-LOK is a registered trademark of Nylok Corporation in Europe.

B || GEOMET is a registered trademark of Nof Metal Coatings North America Inc.

Service, repair and wear part kits Foot 330 mm (13 in.) repair kit

NO EXPLODED VIEW
AVAILABLE
FOR THIS BOM

Item	Part No.	Name	Qty	L
1	594590801	Foot 330 mm (13 in.) repair kit	1	
2	594452801	Ground plate	1	
3	594452701	Foot	1	
4	594517001	Screw, M8 x 50 mm NYLOK BLUE PATCH™(Known as TUF-LOK® in Europe)	14	A
5	-	Nut, M8 x 1.25 mm A2K	14	
6	594517201	Screw, M12 x 150 mm 10.9 GEOMET®	2	B
7	594514301	Screw, M12 x 100 mm 10.9 GEOMET®	2	B
8	594517101	Screw, M12 x 110 mm 10.9 GEOMET®	2	B
9	-	Nut, M12 x 1.75 mm A3K	6	
10	-	Washer, 8.4 x 22 x 3 mm, 0.33 x 0.87 x 0.12 in. HV300	14	

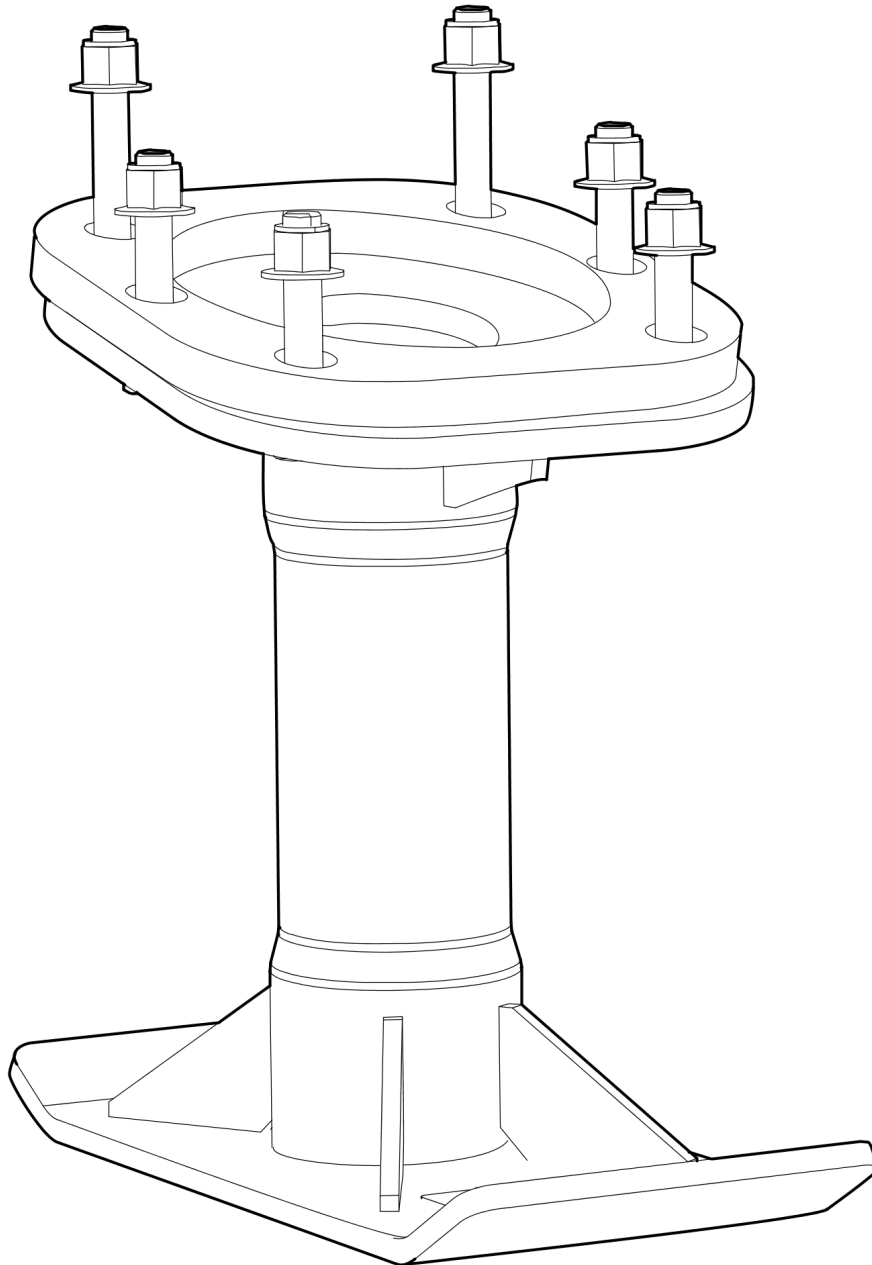
Comments for Page: Foot 330 mm (13 in.) repair kit

A || NYLOK BLUE PATCH is a trademark of Nylok Corporation.

TUF-LOK is a registered trademark of Nylok Corporation in Europe.

B || GEOMET is a registered trademark of Nof Metal Coatings North America Inc.

Service, repair and wear part kits Extended foot kit



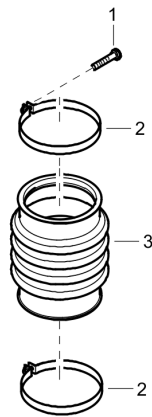
Item	Part No.	Name	Qty	L
1	595462801	Extended foot kit	1	
2	-	Foot	1	
3	-	Screw, M12 x 90 mm 10.9 GEOMET®	2	A
4	-	Screw, M12 x 70 mm 10.9 GEOMET®	4	A
5	-	Nut, M12	6	
6	-	Washer, 13 x 24 x 2 mm, 0.51 x 0.98 x 0.08 in. 300 HV	6	
7	-	Instruction label	1	B

Comments for Page: Extended foot kit

A || GEOMET is a registered trademark of Nof Metal Coatings North America Inc.

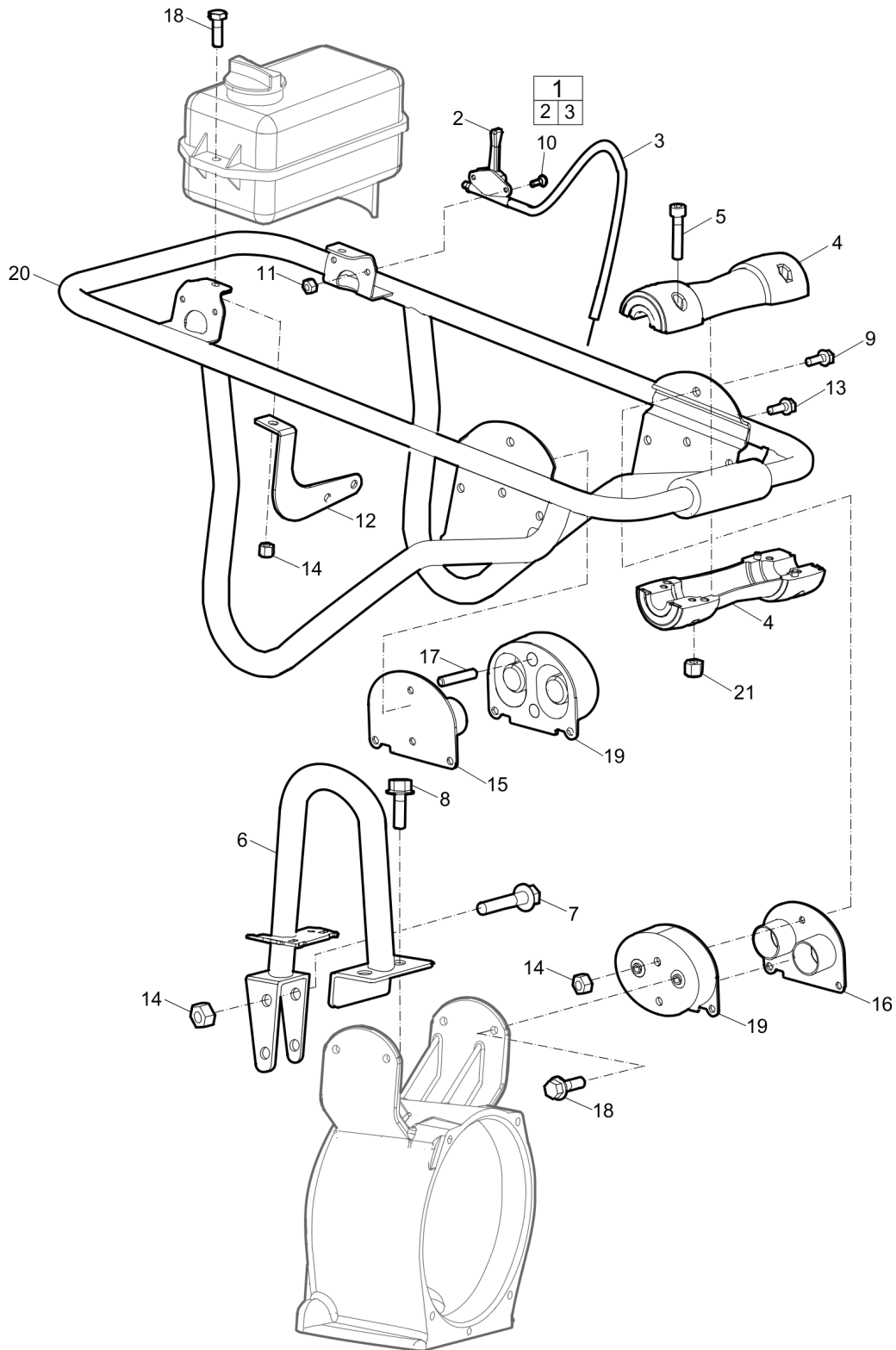
B || Direction

Service, repair and wear part kits Repair kit, Bellows



Item	Part No.	Name	Qty	L
1	595033501	Hexagon bolt	2	
2	594349601	Hose clamp	2	
3	594652001	Bellows	1	

Spare parts list Handle



Refer to the Parts Online web page for most up-to-date information. The printed information might be outdated.

Item	Part No.	Name	Qty	L
1	594488401	Throttle control, cpl	1	
2	594654901	Handle	1	
3	595505001	Control cable, cpl	1	
4	594458501	Roller	2	
5	-	Screw, M6 x 30 mm 8.8 A2K	4	
6	594165401	Lifting lug	1	
7	-	Screw, M8 x 50 mm 8.8 A2K	2	
8	-	Screw, M10 x 30 mm 8.8 A3K	2	
9	-	Screw, M8 x 20 mm 8.8 A2K	4	
10	-	Screw, M5 x 18 mm 8.8 A2K	2	
11	-	Nut, M5 A2K	2	
12	594478501	Bracket	1	
13	-	Screw, M8 x 25 mm 8.8 A2K	4	
14	-	Nut, M8 x 1.25 mm A2K	8	
15	594468501	Angle stop, Right	1	A
16	594468401	Angle stop, Left	1	B
17	594516201	Cylindrical pin	4	
18	-	Screw, M8 x 30 mm 8.8 A2K	6	
19	594468301	Shock absorber	2	
20	594154101	Handle	1	
21	-	Nut, M6 ISO7040	4	

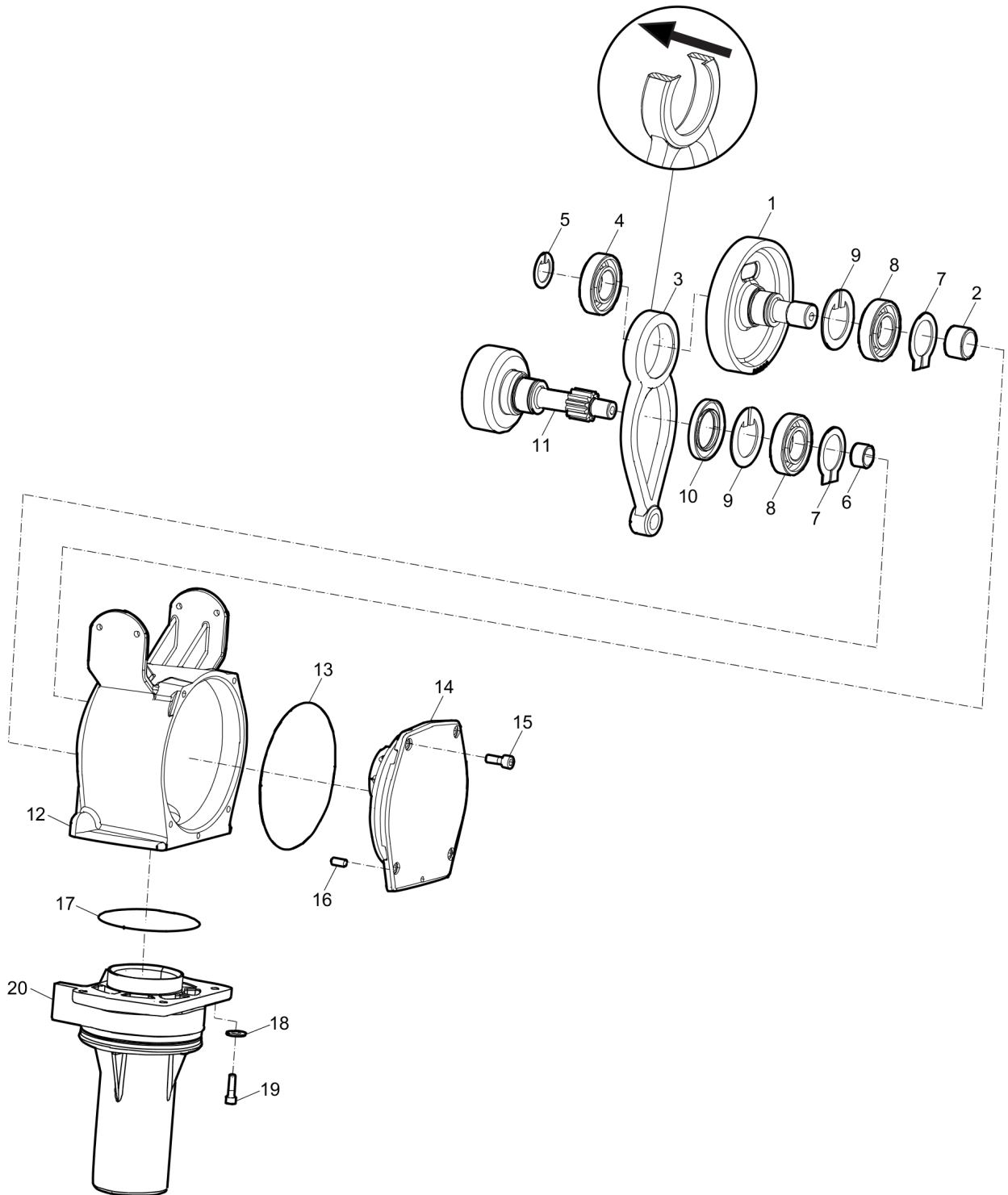
Comments for Page: Handle

(L)OCAL REMARKS

A | Right

B | Left

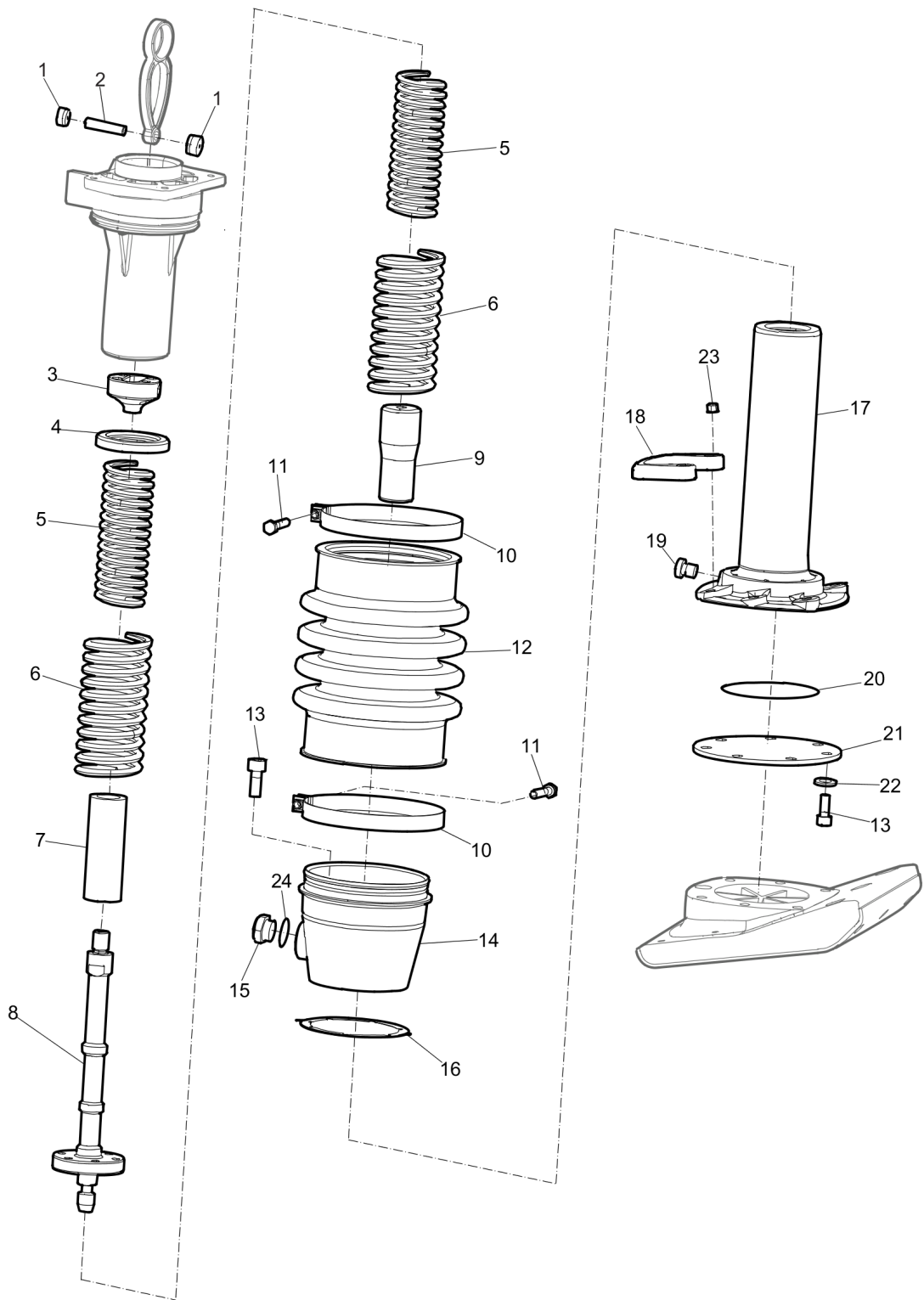
Spare parts list Transmission



Refer to the Parts Online web page for most up-to-date information. The printed information might be outdated.

Item	Part No.	Name	Qty	L
1	594447501	Gear wheel	1	
2	594537401	Needle roller bearing	1	
3	594442201	Connecting rod	1	
4	594258501	Ball Bearing	1	
5	595144401	Circlip ring	1	
6	594537301	Needle roller bearing	1	
7	595045601	Snap ring	2	
8	594531701	Ball Bearing	2	
9	595046201	Retaining ring	2	
10	594537601	Sealing	1	
11	594447601	Shaft	1	
12	594474101	Crankcase	1	
13	595047201	O-ring	1	
14	594427501	Cover	1	
15	-	Screw, M10 x 25 mm 8.8 A3K	4	
16	594501701	Pin	1	
17	595046901	O-ring	1	
18	-	Washer, 10.5 x 22 x 2 mm, 0.41 x 0.87 x 0.08 in. 300 HV	4	
19	-	Screw, M10 x 35 mm 8.8 A3K	4	
20	594474201	Outer tube	1	

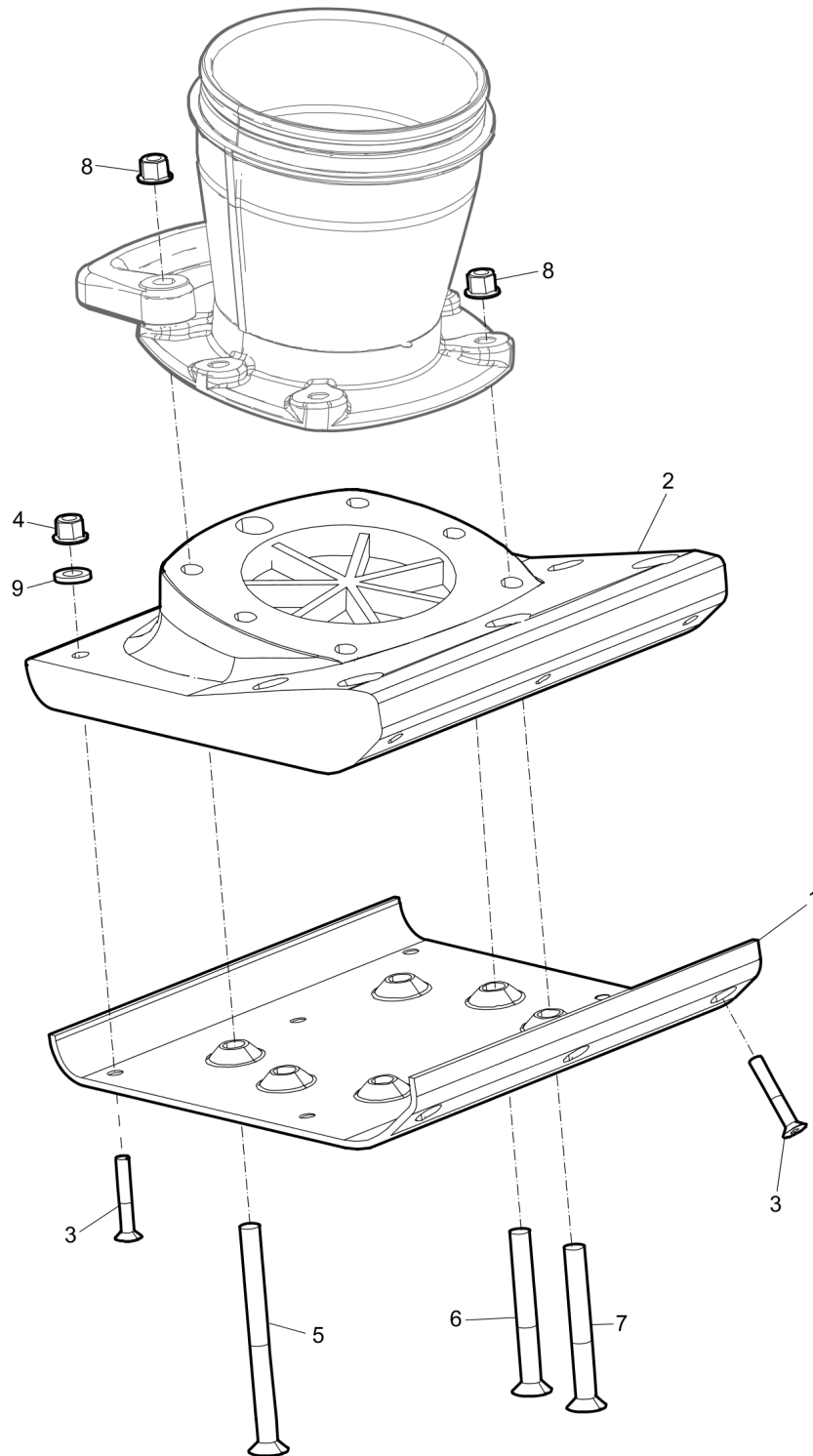
Spare parts list Spring unit



Refer to the Parts Online web page for most up-to-date information. The printed information might be outdated.

Item	Part No.	Name	Qty	L
1	594444301	Plug	2	
2	594444101	Piston bolt	1	
3	594447401	Rod piston head	1	
4	594456301	Lid	1	
5	594441801	Spring	2	
6	594441701	Spring	2	
7	594441901	Stop	1	
8	594456001	Rod piston	1	
9	594442001	Stop	1	
10	594349601	Hose clamp	2	
11	-	Screw, M8 x 40 mm 8.8 A2K	2	
12	594652001	Bellows	1	
13	-	Screw, M8 x 20 mm 8.8 A2K	12	
14	594474301	Bellows support	1	
15	594518501	Sight plug	1	
16	594455901	Gasket	1	
17	594456101	Inner tube	1	
18	594458201	Handle	1	
19	594537501	Plug	1	
20	595047101	O-ring	1	
21	594451101	Lid	1	
22	595047701	Seal ring	6	
23	-	Nut, M8 x 1.25 mm A2K	2	
24	594518401	Fiber washer	1	

Spare parts list Foot 280 mm (11 in.)



Refer to the Parts Online web page for most up-to-date information. The printed information might be outdated.

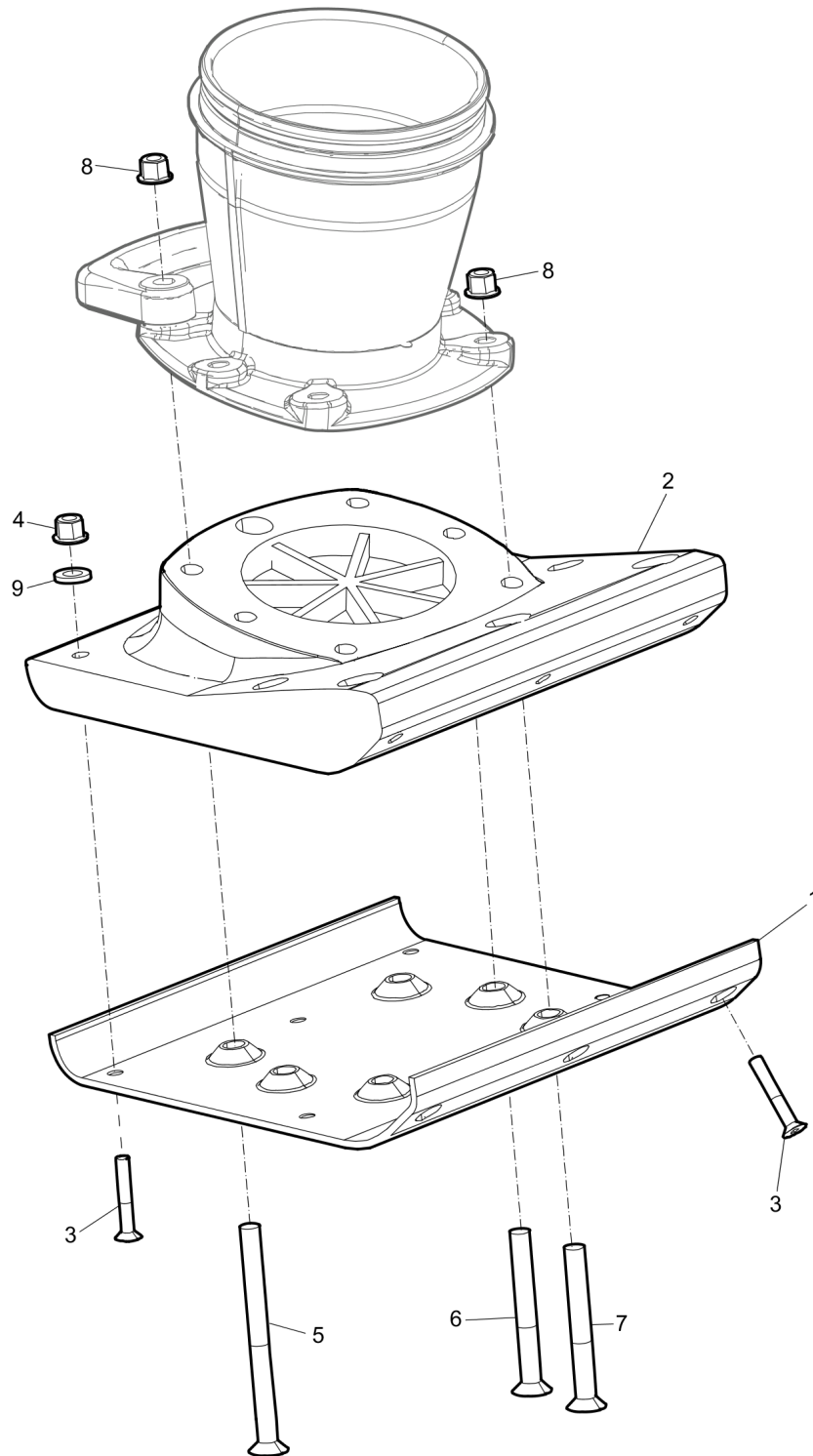
Item	Part No.	Name	Qty	L
1	594451201	Ground plate	1	
2	594451001	Foot	1	
3	594517001	Screw, M8 x 50 mm NYLOK BLUE PATCH™(Known as TUF-LOK® in Europe)	8	A
4	-	Nut, M8 x 1.25 mm A2K	8	
5	594122401	Screw, M12 x 150 mm, 10.9, DIN608	2	B
6	594122201	Screw, M12 x 100 mm, 10.9, DIN608	2	B
7	594122301	Screw, M12 x 110 mm, 10.9, DIN608	2	B
8	594123201	Nut	6	
9	-	Washer, 8.4 x 22 x 3 mm, 0.33 x 0.87 x 0.12 in. HV300	8	

Comments for Page: Foot 280 mm (11 in.)

A | NYLOK BLUE PATCH is a trademark of Nylok Corporation. TUF-LOK is a registered trademark of Nylok Corporation in Europe.

B | GEOMET is a registered trademark of Nof Metal Coatings North America Inc.

Spare parts list Foot 330 mm (13 in.)



Refer to the Parts Online web page for most up-to-date information. The printed information might be outdated.

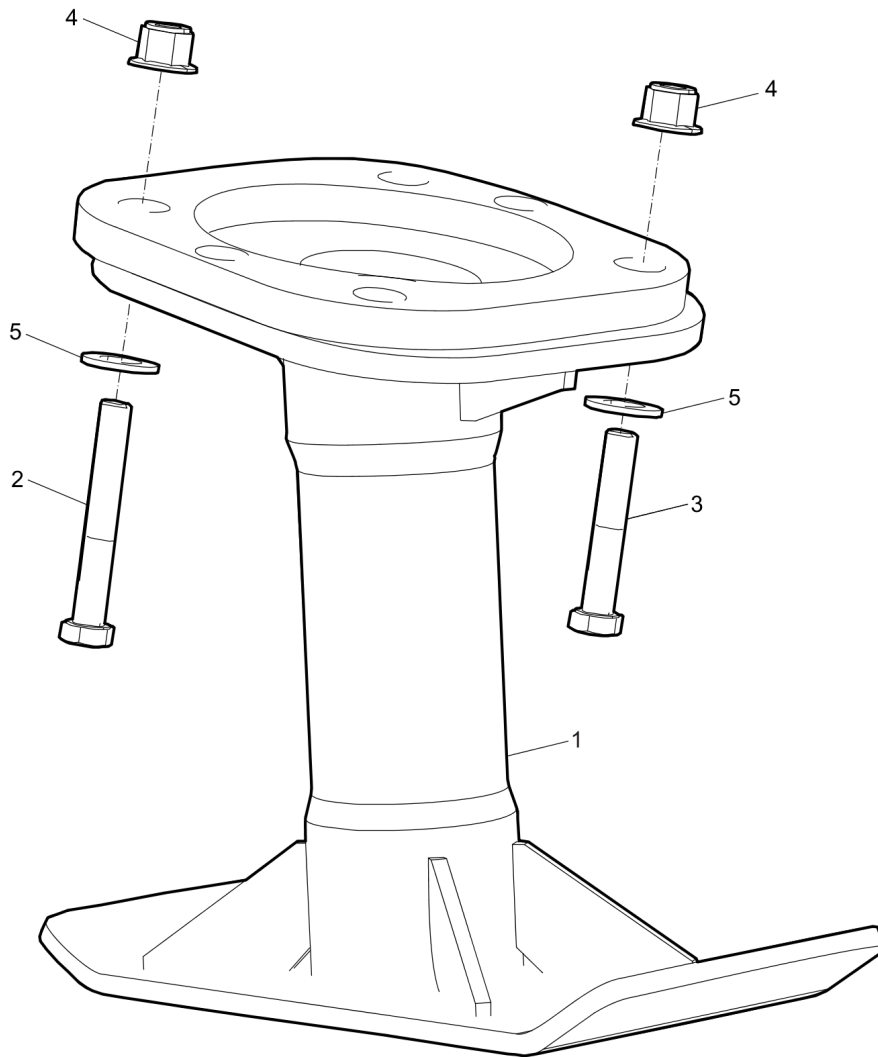
Item	Part No.	Name	Qty	L
1	594452801	Ground plate	1	
2	594452701	Foot	1	
3	594517001	Screw, M8 x 50 mm NYLOK BLUE PATCH™(Known as TUF-LOK® in Europe)	14	A
4	-	Nut, M8 x 1.25 mm A2K	14	
5	594517201	Screw, M12 x 150 mm 10.9 GEOMET®	2	B
6	594514301	Screw, M12 x 100 mm 10.9 GEOMET®	2	B
7	594517101	Screw, M12 x 110 mm 10.9 GEOMET®	2	B
8	-	Nut, M12 x 1.75 mm A3K	6	
9	-	Washer, 8.4 x 22 x 3 mm, 0.33 x 0.87 x 0.12 in. HV300	14	

Comments for Page: Foot 330 mm (13 in.)

A || NYLOK BLUE PATCH is a trademark of Nylok Corporation. TUF-LOK is a registered trademark of Nylok Corporation in Europe.

B || GEOMET is a registered trademark of Nof Metal Coatings North America Inc.

Spare parts list Extended foot

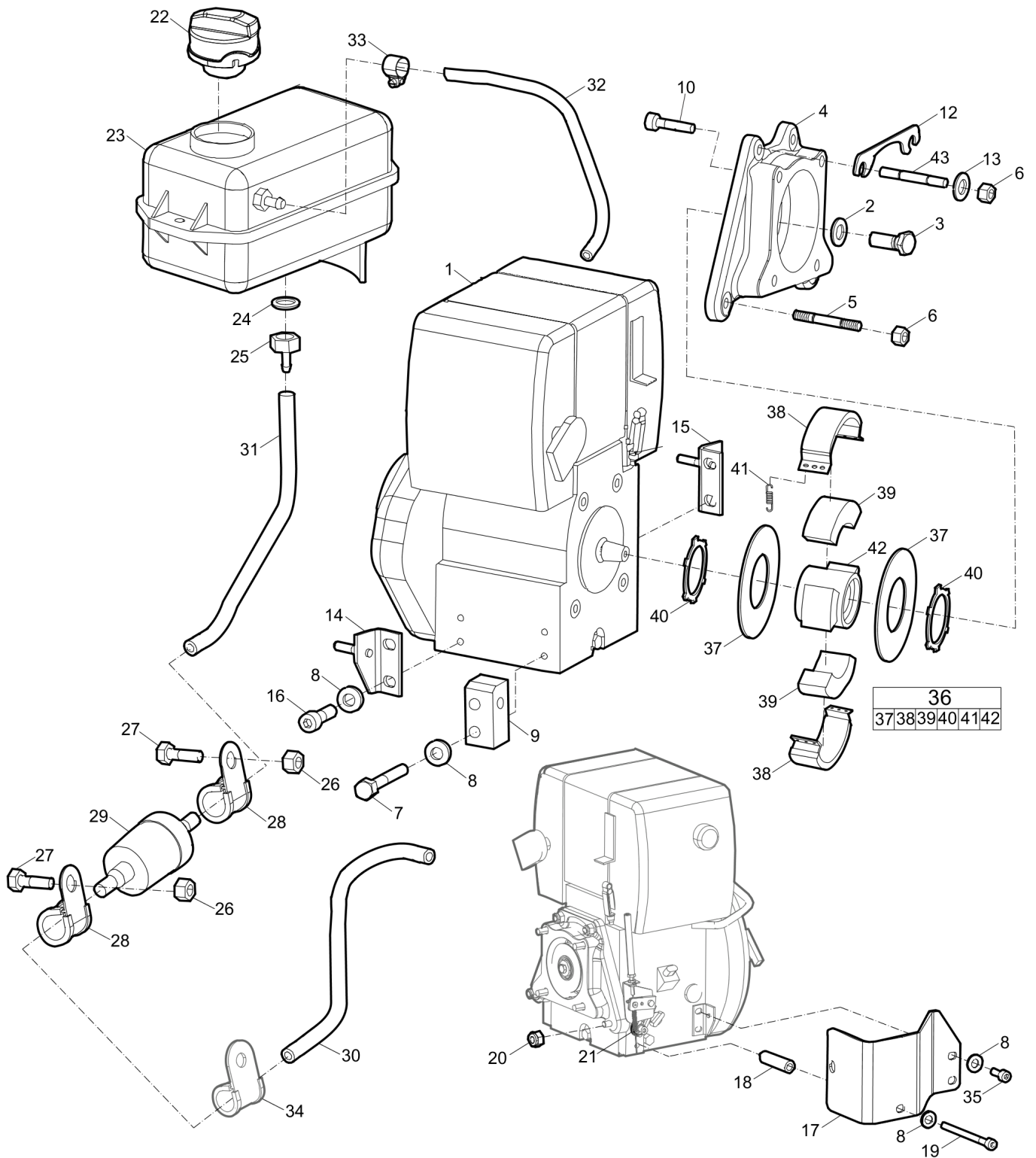


Item	Part No.	Name	Qty	L
1	594477101	Extended foot	1	
2	594546401	Screw, M12 x 90 mm 10.9 GEOMET®	2	A
3	594532401	Screw, M12 x 70 mm 10.9 GEOMET®	4	A
4	-	Nut, M12 x 1.75 mm A3K	6	
5	-	Washer, 13 x 24 x 2 mm, 0.51 x 0.98 x 0.08 in. 300 HV	6	

Comments for Page: Extended foot

A | GEOMET is a registered trademark of Nof Metal Coatings North America Inc.

Spare parts list Engine installation



Refer to the Parts Online web page for most up-to-date information. The printed information might be outdated.

Item	Part No.	Name	Qty	L
1	595177201	Engine, cpl Hatz 1B20	1	A
2	-	Washer, 8.4 x 26 x 4 mm, 0.33 x 1.02 x 0.16 in. 300 HV	1	
3	-	Screw, M8 x 25 mm 8.8 A2K	1	
4	594472401	Adapter	1	
5	594470301	Stud	2	
6	595181501	Lock nut M10	3	
7	-	Screw, M8 x 40 mm 8.8 A2K	2	
8	-	Washer, 8.4 x 16 x 1.5 mm, 0.33 x 0.63 x 0.06 in. 300 HV	8	
9	594450901	Bracket	2	
10	594120201	Screw, M10 x 45 mm 10.9 A3K	4	E
12	594471801	Support washer	1	
13	-	Washer, 10.5 x 22 x 2 mm, 0.41 x 0.87 x 0.08 in. 300 HV	1	
14	594473901	Bracket	1	B
15	594473801	Bracket	1	C
16	-	Screw, M8 x 20 mm 8.8 A2K	4	
17	594479001	Cover	1	
30	594607401	Fuel hose	1	
18	595177101	Spacer	1	
19	-	Screw, M8 x 100 mm 8.8 A2K	1	
20	595183401	Lock nut M10 DIN985	1	
21	-	Washer, 8.4 x 25 x 2 mm, 0.33 x 0.98 x 0.12 in	1	
22	594609701	Filler cap	1	
23	594154201	Fuel tank	1	
24	-	Fibre washer, 17 x 23 x 1.5 mm, 0.67 x 0.91 x 0.06 in.	1	
25	594463801	Nipple	1	
26	-	Lock nut, M8 x 1.25 mm A2K	2	
27	-	Screw, M8 x 20 mm 8.8 A2K	2	
28	595469701	Pipe clamp	2	
29	595190401	Fuel filter	1	
31	594609201	Fuel hose	1	
32	594607501	Fuel hose	1	
33	594533301	Hose clamp	1	
34	-	Hose calmp	1	D
35	-	Screw, M8 x 20 mm 8.8 A2K	2	
36	594447501	Gear wheel	1	
37	594312501	Cover	2	
38	594582901	Clutch lining	2	
39	--	Centrifugal weight	2	

Refer to the Parts Online web page for most up-to-date information. The printed information might be outdated.

Item	Part No.	Name	Qty	L
40	594311901	Retaining ring	2	
41	594581001	Spring	2	
42	--	Hub	1	
43	594470201	Stud	2	

Comments for Page: Engine installation

(L)OCAL REMARKS

A | Hatz 1B20 Rammer version

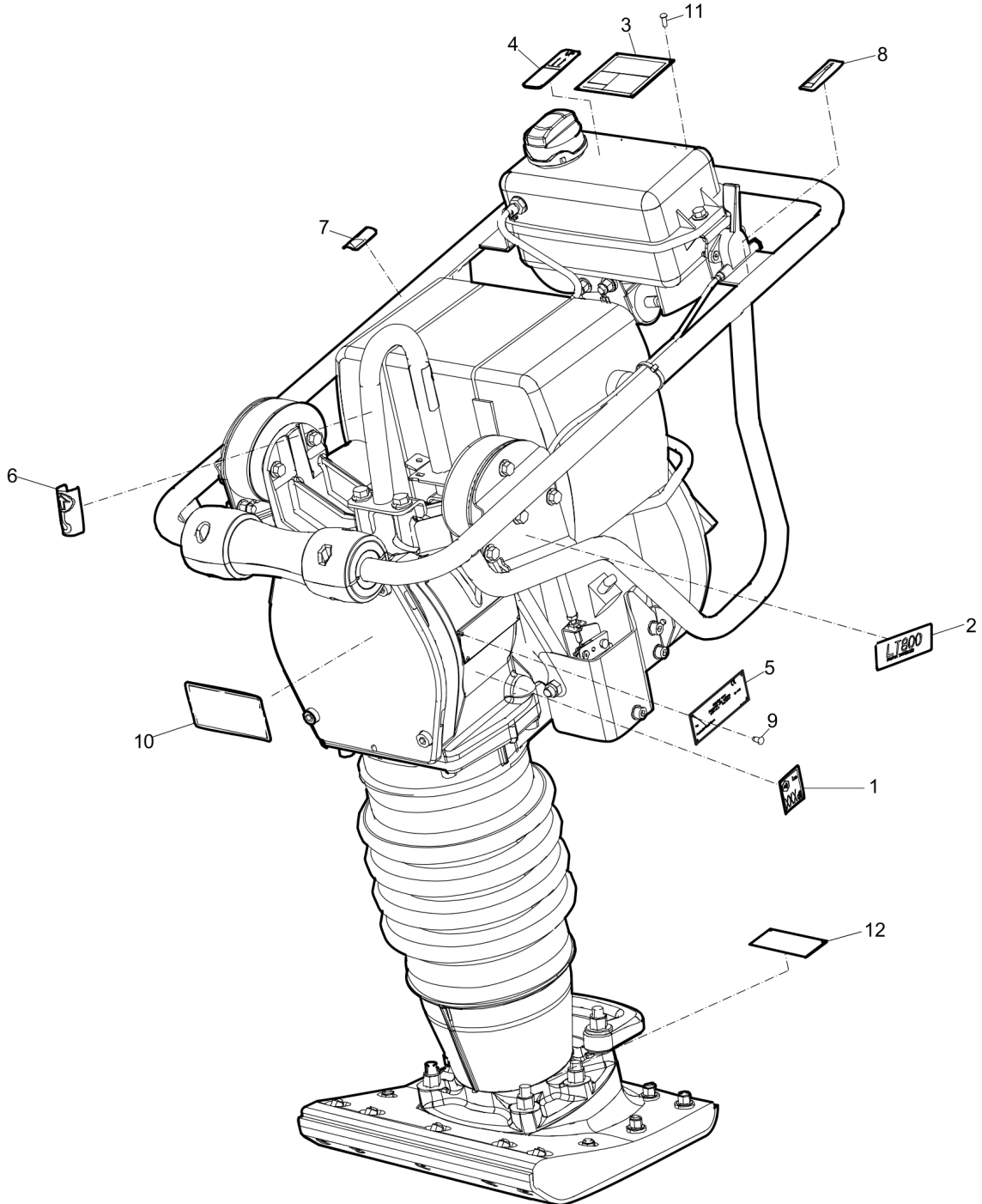
B | Right

C | Left

D | Supplied with engine

This page intentionally left blank

Spare parts list Labels



Refer to the Parts Online web page for most up-to-date information. The printed information might be outdated.

Item	Part No.	Name	Qty	L
1	-	Instruction label	1	A
2	595121401	Product label	2	B
3	595464201	Decal	1	C
4	595187901	Decal	1	D
5	-	Data plate (Not available separately)	1	
6	595051201	Label lifting point	2	E
7	594533201	Safety label, hot surfaces	1	F
8	594464001	Safety label, rotating V-belts	1	G
9	-	Screw, 2 x 5 mm KDS	4	
10	594142301	Product label, "Atlas Copco"	1	H
11	-	Screw, K22 x 6 mm KX-PT	4	
12	594514401	Safety label, compressed spring package	1	I

Comments for Page: Labels

(L)OCAL REMARKS

A | Sound power level

B | "LT 800"

C | Ear protection, read instruction manual and diesel

D | Keep upright

E | Lifting point

F | Hot surfaces

G | Throttle indication

H | "Atlas Copco"

I | Compressed spring package

Any unauthorized use or copying of the contents or any part thereof is prohibited. This applies in particular to trademarks, model denominations, part numbers, and drawings.